

# PRODUCT INFORMATION PACKET



Model No: C4T17DK12A

Catalog No: 103726.00

..1/2HP..1725RPM.S56J.DP.230/460V.3PH.60HZ.CONT.40C.1.25SF.RIGID-C-FACE.C4T17DK12.....JET  
PUMP.NONE.....

Jet Pump



Regal and Leeson are trademarks of Regal Beloit Corporation or one of its affiliated companies.

©2018 Regal Beloit Corporation, All Rights Reserved. MC017097E





**Nameplate Specifications**

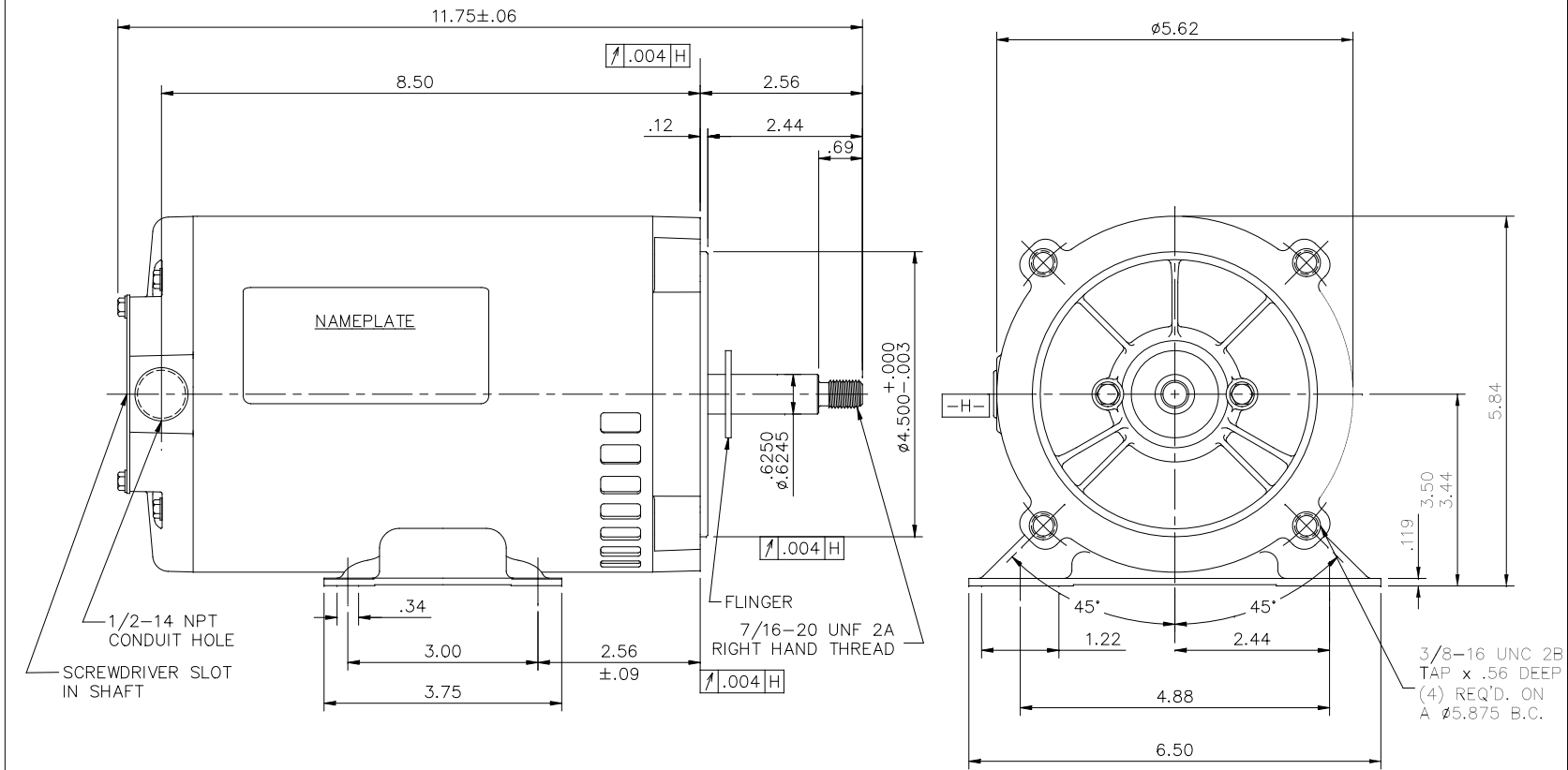
Output HP	<b>0.50 Hp</b>	Output KW	<b>0.37 kW</b>
Frequency	<b>60 Hz</b>	Voltage	<b>230/460 V</b>
Current	<b>2.0/1.0 A</b>	Speed	<b>1725 rpm</b>
Service Factor	<b>1.25</b>	Phase	<b>3</b>
Efficiency	<b>68 %</b>	Duty	<b>Continuous</b>
Insulation Class	<b>B</b>	Design Code	<b>NO DESIGN CODE</b>
KVA Code	<b>L</b>	Frame	<b>S56J</b>
Enclosure	<b>Drip Proof</b>	Overload Protector	<b>No</b>
Ambient Temperature	<b>40 °C</b>	Drive End Bearing Size	<b>6203</b>
Opp Drive End Bearing Size	<b>6203</b>	UL	<b>Recognized</b>
CSA	<b>Y</b>	CE	<b>N</b>
IP Code	<b>12</b>		


**Technical Specifications**

Electrical Type	<b>Squirrel Cage Induction Run</b>	Starting Method	<b>Across The Line</b>
Poles	<b>4</b>	Rotation	<b>Reversible</b>
Mounting	<b>Rigid base</b>	Motor Orientation	<b>HORIZONTAL</b>
Drive End Bearing	<b>BALL</b>	Opp Drive End Bearing	<b>BALL</b>
Frame Material	<b>Rolled Steel</b>	Shaft Type	<b>J</b>
Overall Length	<b>11.75 in</b>	Frame Length	<b>6.00 in</b>
Shaft Diameter	<b>0.625 in</b>	Shaft Extension	<b>2.44 in</b>
Assembly/Box Mounting	<b>F1 ONLY</b>		
Outline Drawing	<b>A-OL103726</b>	Connection Diagram	<b>005010.01</b>

**This is an uncontrolled document once printed or downloaded and is subject to change without notice. Date Created: 10/15/2018**

OL103726



				TOLERANCES UNLESS SPECIFIED		 <b>Regal Beloit America, Inc.</b>	DRAWN KIR 04/12/16		
				DEC.	INCHES		CHK PST 04/12/16		
				.X	±.1		APPD PST 04/12/16		
				.XX	±.03		SCALE 1=2		
				.XXX	±.005	TITLE	OUTLINE - S56J FRAME "C" FACE MOUNT - DRIP PROOF		
A	NEW DRAWING	KIR	04/12/16	PST	.XXXX ±.0005	MAT'L.	REF OL103854		
NO.	REVISION	BY & DATE		CHK	ANG ±1/2'	FINISH	PREV		
THIS DRAWING IN DESIGN AND DETAIL IS OUR PROPERTY AND MUST NOT BE USED EXCEPT IN CONNECTION WITH OUR WORK ALL RIGHTS OF DESIGN AND INVENTION ARE RESERVED THIS IS AN ELECTRONICALLY GENERATED DOCUMENT - DO NOT SCALE THIS PRINT				RFP	CAD FILE	OL103726	SIZE	DRAWING NO.	REV.
				DIST			A	OL103726	A

005010-01

VIEW FROM OUTSIDE OF MOTOR AT SWITCH END.



VOLTAGE	L1	L2	L3	JOIN & INSULATE
HIGH	T1	T2	T3	(T4,T7) (T5,T8) (T6,T9)
LOW	T1,T7	T2,T8	T3,T9	T4,T5,T6

				TOLERANCES UNLESS SPECIFIED		<b>Regal Beloit America, Inc.</b>		DRAWN RDW 04/12/02		
				DEC.	INCHES			CHK		
				.X	±.1			APPD		
				.XX	±.01			SCALE 1=1		
				.XXX	±.005	REF FIG.2-51				
A	UPDATED TO REGAL LOGO		SAJ 06/26/15	AJY	.XXXX ±.0005	MAT'L. DECAL - 004014		FMF		
NO.	REVISION		BY & DATE	CHK	ANG ±1/2"	FINISH		PREV		
THIS DRAWING IN DESIGN AND DETAIL IS OUR PROPERTY AND MUST NOT BE USED EXCEPT IN CONNECTION WITH OUR WORK ALL RIGHTS OF DESIGN AND INVENTION ARE RESERVED THIS IS AN ELECTRONICALLY GENERATED DOCUMENT - DO NOT SCALE THIS PRINT				RFP	04/12/02	CAD FILE	00501001	SIZE	DRAWING NO.	REV.
						DIST	BRF-NLV			A



P.O. BOX 8003  
WAUSAU, WI 54401-8003  
PH. 715-675-3311

DATA VOLTS: 460

CERTIFICATION DATA SHEET

CONN. DIAGRAM: 005010.01  
OUTLINE: A-OL103726  
WINDING: TE48415

DR 3

CAT #: 103726.00

TYPICAL MOTOR PERFORMANCE DATA

HP	KW	0.37	1800	1725	SS6J	DP	TDR	L	B							
FL EFF	FL PF	70.0	64.0	3/4 LD EFF	3/4 LD PF	68.5	53.0	1/2 LD EFF	1/2 LD PF	60.5	42.0	66.0	ELECT. TYPE	SO CAGE IND RUN		
F.L. TORQUE	LB-FT	1.52	6.2	LR AMPS @ 460 V	6.2	LB-FT	408%	B.D. TORQUE	7.3	LB-FT	40	F.L. RISE (°C)				
PRESSURE @ 3	DBA	56	65	DBA	0.05	LB-FT <sup>2</sup>	0	LB-FT <sup>2</sup>	10	SEC.		STARTS/HOUR	0	MOTOR WGT	20	LB.

\*\*\* SUPPLEMENTAL INFORMATION \*\*\*

DE BRACKET TYPE	ODE BRACKET TYPE	STANDARD	MOUNT TYPE	RIGID	MOTOR ORIENTATION	HORIZONTAL	SEVERE DUTY	NO	HAZARDOUS LOCATION	NONE	DRIP COVER	NO	SCREENS	NONE	PAINT	BLUE (POWDER)
BEARINGS DE	ODE	BALL	GREASE	SHAFT TYPE	JET PUMP	SPECIAL DE	JET PUMP	SPECIAL ODE	IF FLATS FOR 7/16 WRI	303 STAINLESS (C-501)	SHAFT MATERIAL	ROLLED STEEL	FRAME MATERIAL			
THERMOSTATS	PROTECTORS	NOT	WIDG RTD's	NONE	BRG RTD's	NONE	THERMISTORS	NONE	CONTROL	FALSE	SPACE HEATERS	NA				
R1 (ohms/ph)	R2 (ohms/ph)	0	X1 (ohms/ph)	0	X2 (ohms/ph)	0	Xm (ohms/ph)	0	VIBRATION (in/sec)	0.150	FLOAT ODE					

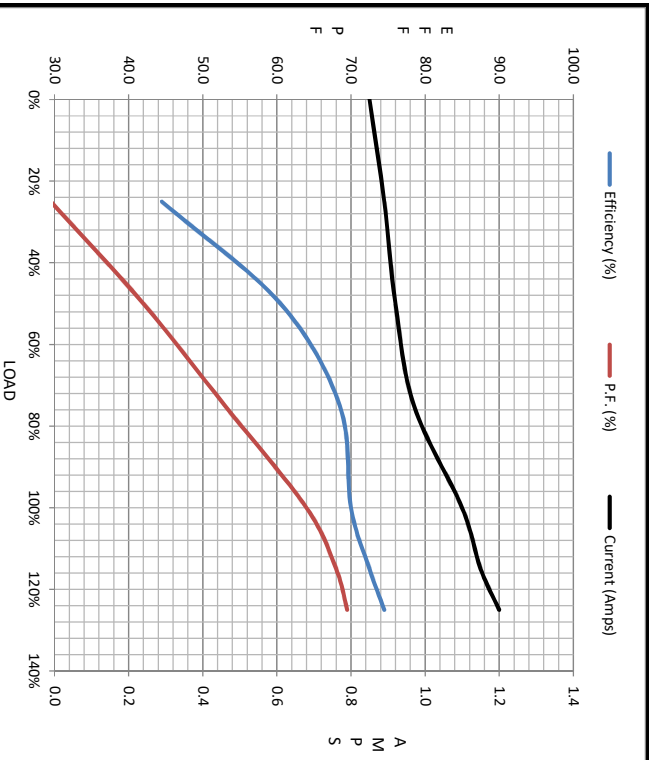
* NOT TESTED		INVERTER TORQUE: NONE	
		INV. HP SPEED RANGE: NONE	
		ENCODER: NONE	
		BRAKE: NONE	
		FT-LB: NONE	
		VOLTAGE: NONE	
		UL: Y-(LEESON UL REC)	

DATE:	1/30/2018	Hz:	
-------	-----------	-----	--



Motor Load Data									
Load	0%	25%	50%	75%	100%	115%	125%	LR	
Current (Amps)	0.85	0.89	0.92	0.97	1.10	1.15	1.20	6.2	
Torque (ft-lb)	0.00	0.37	0.74	1.10	1.52	1.80	2.00	6.2	
RPM	1800	1783	1770	1755	1725	1720	1715	0	
Efficiency (%)		44.5	60.5	68.5	70.0	72.5	74.5		
P.F. (%)	18.0	29.5	42.0	53.0	64.0	68.0	69.5	80.5	

Motor Speed Data						Information Block																										
	LR	Pull-Up	BD	Rated	Idle	HP	Sync. RPM	Frame	Enclosure	Construction	Voltage	Frequency	Design	LR Code letter	Service Factor	Temp Rise @ FL	Duty	Ambient	Elevation	Rotor/Shaft wk <sup>2</sup>	Ref Wdg	Sound Pressure @ 1M	VFD Rating	Outline Dwg	Conn. Diag	Additional Specifications:	R1	R2	X1	X2	Xm	
Speed (RPM)	0	600	1060	1725	1800	0.5	1800	48	DP	TDR	230/460	60	B	L	1.15	40	CONT	40	1,000	0.05	TE48415 DR	56	NONE	A.O.L103726	005010.01		0.0000	0.0000	0.0000	0.0000	0.0000	
Current (Amps)	6.2	5.8	4.8	1.10	0.85																											
Torque (ft-lb)	6.2	6.6	7.3	1.52	0.00																											



EQUIV CKT (OHMS / PHASE)			
R1	R2	X1	Xm
0.0000	0.0000	0.0000	0.0000

