

PRODUCT INFORMATION PACKET



Model No: C4T17DC50A

Catalog No: 103723.00

..1/3HP..1725RPM.S56J.DP.230/460V.3PH.60HZ.CONT.40C.1.35SF.C FACE.C4T17DC50.....NONE.....

Jet Pump



Regal and Leeson are trademarks of Regal Beloit Corporation or one of its affiliated companies.

©2018 Regal Beloit Corporation, All Rights Reserved. MC017097E





Nameplate Specifications

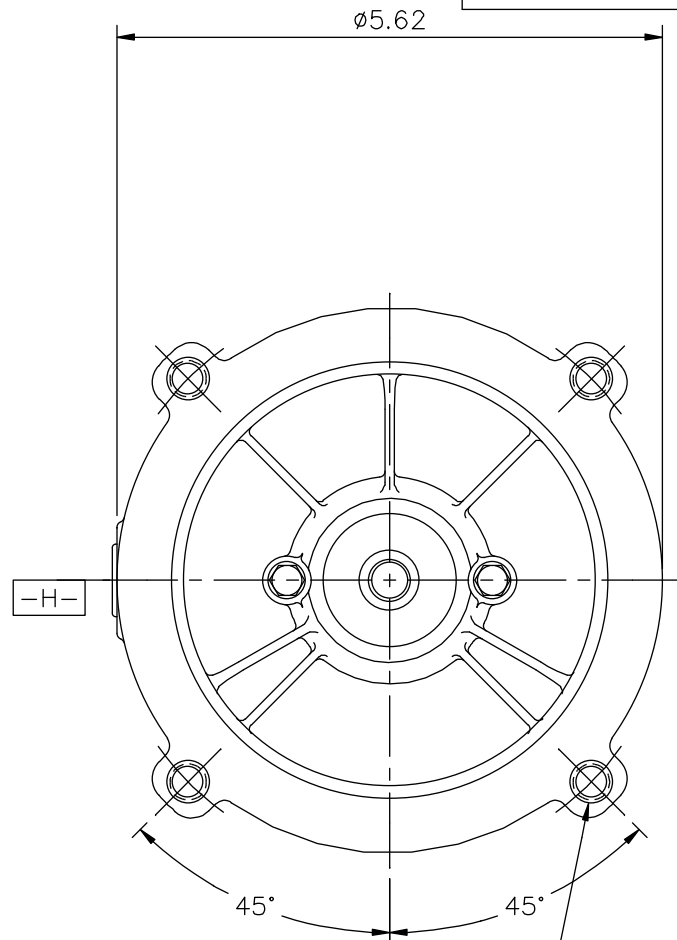
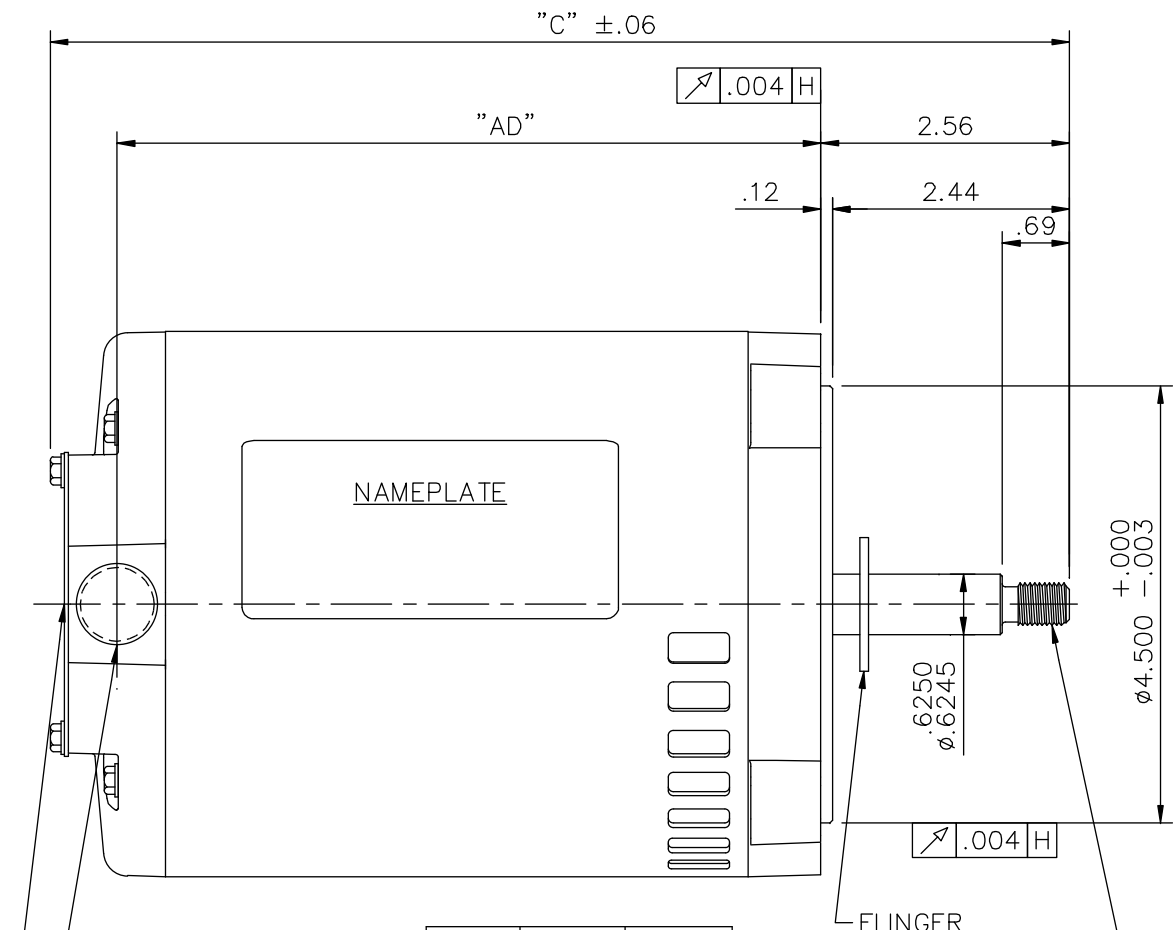
| | | | |
|----------------------------|----------------|------------------------|----------------|
| Output HP | 0.33 Hp | Output KW | 0.25 kW |
| Frequency | 60 Hz | Voltage | 208-230/460 V |
| Current | 1.7-1.8/0.90 A | Speed | 1725 rpm |
| Service Factor | 1.35 | Phase | 3 |
| Efficiency | 64.3 % | Duty | Continuous |
| Insulation Class | B | Design Code | NO DESIGN CODE |
| KVA Code | M | Frame | S56J |
| Enclosure | Drip Proof | Overload Protector | No |
| Ambient Temperature | 40 °C | Drive End Bearing Size | 6203 |
| Opp Drive End Bearing Size | 6203 | UL | Recognized |
| CSA | Y | CE | N |
| IP Code | 12 | | |

Technical Specifications

| | | | |
|-----------------------|-----------------------------|-----------------------|-----------------|
| Electrical Type | Squirrel Cage Induction Run | Starting Method | Across The Line |
| Poles | 4 | Rotation | Reversible |
| Mounting | Round | Motor Orientation | HORIZONTAL |
| Drive End Bearing | BALL | Opp Drive End Bearing | BALL |
| Frame Material | Rolled Steel | Shaft Type | J |
| Overall Length | 10.00 in | Frame Length | 5.50 in |
| Shaft Diameter | 0.625 in | Shaft Extension | 2.44 in |
| Assembly/Box Mounting | F1 ONLY | | |
| Outline Drawing | 032113-550 | Connection Diagram | 005010.01 |

This is an uncontrolled document once printed or downloaded and is subject to change without notice. Date Created: 10/15/2018

032113



NAMEPLATE


FLINGER
7/16-20 UNF 2A
RIGHT HAND THREAD

1/2-14 NPT
CONDUIT HOLE

SCREWDRIVER SLOT
IN SHAFT

| DASH NO. | "C" | "AD" |
|----------|-------|------|
| 550 | 10.00 | 6.75 |
| 575 | 10.25 | 7.00 |
| 600 | 10.50 | 7.25 |
| 625 | 10.75 | 7.50 |
| 650 | 11.00 | 7.75 |
| 675 | 11.25 | 8.00 |
| 700 | 11.50 | 8.25 |

3/8-16 UNC 2B TAP x .56 DEEP
(4) REQ'D. ON A ø5.875 B.C.

| | | TOLERANCES UNLESS SPECIFIED | |  ELECTRIC MOTORS GEARMOTORS AND DRIVES | DRAWN VS 3/6/2013 | |
|--|----------|-----------------------------|--------|---|-----------------------------|--------------------|
| | | DEC. | INCHES | | CHK | |
| | | .X | ±.1 | | APPD | |
| | | .XX | ±.03 | | SCALE 1=2 | |
| | | .XXX | ±.005 | | REF 031731 | |
| | | .XXX | ±.005 | TITLE | OUTLINE - S56J FRAME | |
| | | .XXXX | ±.0005 | MAT'L. | "C" FACE MOUNT - DRIP PROOF | |
| NO. | REVISION | BY & DATE | CHK | ANG | FINISH | PREV |
| | | | RFP | | CAD FILE 032113 | SIZE A |
| | | | DIST | | | DRAWING NO. 032113 |
| THIS DRAWING IN DESIGN AND DETAIL IS OUR PROPERTY AND MUST NOT BE USED EXCEPT IN CONNECTION WITH OUR WORK ALL RIGHTS OF DESIGN AND INVENTION ARE RESERVED THIS IS AN ELECTRONICALLY GENERATED DOCUMENT - DO NOT SCALE THIS PRINT | | | | | | REV. |

005010-01

VIEW FROM OUTSIDE OF MOTOR AT SWITCH END.



| VOLTAGE | L1 | L2 | L3 | JOIN & INSULATE |
|---------|-------|-------|-------|-------------------------------|
| HIGH | T1 | T2 | T3 | (T4,T7) (T5,T8) (T6,T9) |
| LOW | T1,T7 | T2,T8 | T3,T9 | T4,T5,T6 |

| | | | | | | | | | | | |
|--|-----------------------|--------------|-----|--------------------------------|----------|-----------------------------------|--|--------------------|-----------|-------------|------|
| | | | | TOLERANCES UNLESS SPECIFIED | | Regal Beloit America, Inc. | | DRAWN RDW 04/12/02 | | | |
| | | | | DEC. | INCHES | | | CHK | | | |
| | | | | .X | ±.1 | | | APPD | | | |
| | | | | .XX | ±.01 | | | SCALE 1=1 | | | |
| | | | | .XXX | ±.005 | TITLE | | REF FIG.2-51 | | | |
| A | UPDATED TO REGAL LOGO | SAJ 06/26/15 | AJY | .XXXX | ±.0005 | MAT'L. | | FMF | | | |
| NO. | REVISION | BY & DATE | CHK | ANG | ±1/2" | FINISH | | PREV | | | |
| THIS DRAWING IN DESIGN AND DETAIL IS OUR PROPERTY AND MUST NOT BE USED EXCEPT IN CONNECTION WITH OUR WORK ALL RIGHTS OF DESIGN AND INVENTION ARE RESERVED THIS IS AN ELECTRONICALLY GENERATED DOCUMENT - DO NOT SCALE THIS PRINT | | | | RFP | 04/12/02 | CAD FILE | | 00501001 | SIZE | DRAWING NO. | REV. |
| | | | | DIST | BRF-NLV | | | A | 005010-01 | A | |



P.O. BOX 8003
WAUSAU, WI 54401-8003
PH. 715-675-3311

CERTIFICATION DATA SHEET

DATA VOLTS: 460

CONN. DIAGRAM: 005010.01
OUTLINE: 032113-550
WINDING: TE48414

CAT #: 103723.00

DR 3

TYPICAL MOTOR PERFORMANCE DATA

| HP | KW | SYNC RPM | FL RPM | FRAME | ENCLOSURE | TYPE | KVA CODE | DESIGN | |
|------|------|-------------|-------------|-----------------|-----------|------|----------|--------|-------|
| 0.33 | 0.25 | 1800 | 1725 | S6J | DP | TDR | N | B | |
| PH | HZ | VOLTS | AMPS | START TYPE | DUTY | INSL | S.F. | AMB | ELEV. |
| 3 | 60 | 208-230/460 | 1.7-1.65/82 | ACROSS THE LINE | CONT | B | 1.15 | 40 | 3300 |

| F.L. EFF | F.L. PF | 3/4 LD EFF | 3/4 LD PF | 60.0 | 1/2 LD EFF | 51.0 | GTD EFF | 64.0 | ELECT. TYPE |
|----------|---------|------------|-----------|------|------------|------|---------|------|-----------------|
| 66.0 | 56.0 | 3/4 LD EFF | 3/4 LD PF | 60.0 | 1/2 LD PF | 40.5 | 51.0 | 64.0 | SO CAGE IND RUN |

| F.L. TORQUE | LR AMPS @ 460 V | 4.3 | LB-FT | 430% | 4.7 | LB-FT | B.D. TORQUE | F.L. RISE (°C) |
|-------------|-----------------|-----|-------|------|-----|-------|-------------|----------------|
| 1.00 | LB-FT | 4.7 | LB-FT | 430% | 4.7 | LB-FT | 470% | 30 |

| PRESSURE @3 | POWER | ROTOR WK² | MAX LOAD WK² | SAFE STALL TIME | STARTS/HOUR | MOTOR WGT | | | | |
|-------------|-------|-----------|--------------|-----------------|-------------|-----------|------|---|----|-----|
| 56 | DBA | 65 | DBA | 0.04 | LB-FT² | 10 | SEC. | 0 | 17 | LB. |

*** SUPPLEMENTAL INFORMATION ***

| DE BRACKET TYPE | ODE BRACKET TYPE | MOUNT TYPE | MOTOR ORIENTATION | SEVERE DUTY | HAZARDOUS LOCATION | DRIIP COVER | SCREENS | PAINT |
|-----------------|------------------|------------|-------------------|-------------|--------------------|-------------|---------|----------------|
| C-FACE | STANDARD | ROUND | HORIZONTAL | NO | NONE | NO | NONE | JE-LEESON/ENAM |

| BEARINGS | GREASE | SHAFT TYPE | SPECIAL DE | SPECIAL ODE | SHAFT | MATERIAL | FRAME MATERIAL |
|--------------|-----------------|------------|------------|-------------|-------|-------------------|----------------|
| DE BALL 6203 | BALL POLYREX EM | JET PUMP | NONE | NONE | 416 | STAINLESS (C-503) | ROLLED STEEL |

| THERMOSTATS | PROTECTORS | WDG RTD's | BRG RTD's | THERMISTORS | CONTROL | SPACE HEATERS |
|-------------|------------|-----------|-----------|-------------|---------|---------------|
| NONE | NOT | NONE | NONE | NONE | FALSE | NA |

| R1 (ohms/ph) | R2 (ohms/ph) | X1 (ohms/ph) | X2 (ohms/ph) | Xm (ohms/ph) | VIBRATION (in/sec) | FLOAT |
|--------------|--------------|--------------|--------------|--------------|--------------------|-------|
| 0 | 0 | 0 | 0 | 0 | 0.080 | ODE |

| * NOTES * | | INVERTER TORQUE: NONE | INV. HP SPEED RANGE: NONE |
|-----------|--|-----------------------|---------------------------|
| | | ENCODER: NONE | |
| | | BRAKE: NONE | |
| | | FT-LB: NONE | NA |
| | | VOLTAGE: NONE | NONE |
| | | UL: Y-(LEESON UL REC) | |

| DATE: | 1/23/2018 | HZ: |
|-------|-----------|-----|
|-------|-----------|-----|



| Motor Load Data | | | | | | LR | |
|-----------------|------|------|------|------|------|------|------|
| Load | 0% | 25% | 50% | 75% | 100% | 115% | 125% |
| Current (Amps) | 0.74 | 0.74 | 0.75 | 0.78 | 0.80 | 0.85 | 0.88 |
| Torque (ft-lb) | 0.00 | 0.25 | 0.50 | 0.75 | 1.00 | 1.20 | 1.30 |
| RPM | 1800 | 1780 | 1770 | 1750 | 1725 | 1720 | 1715 |
| Efficiency (%) | | 34.5 | 51.0 | 60.0 | 66.0 | 67.5 | 68.0 |
| P.F. (%) | 20.0 | 30.5 | 40.5 | 50.0 | 56.0 | 63.0 | 65.5 |

| Motor Speed Data | | | | | | Information Block | | | |
|-----------------------------|------------|---------|----------------------------|--------|------|-------------------|-----------|-------|-----------|
| | LR | Pull-Up | BD | Rated | Idle | HP | Sync. RPM | Frame | Enclosure |
| Speed (RPM) | 0 | 900 | 1500 | 1725 | 1800 | 0.3 | 1800 | 56 | DP |
| Current (Amps) | 4.7 | 4.0 | 3.2 | 0.80 | 0.74 | | | | |
| Torque (ft-lb) | 4.3 | 3.9 | 4.7 | 1.00 | 0.00 | | | | |
| Construction | TDR | | 208-230/460 | | V | | | | |
| Voltage | 60 | | Hz | | | | | | |
| Frequency | B | | Design | | | | | | |
| LR Code letter | N | | Service Factor | | | | | | |
| Temp Rise @ FL | 30 | | °C | | | | | | |
| Duty | CONT | | Ambient | | | | | | |
| Elevation | 1,000 | | feet | | | | | | |
| Rotor/Shaft wk ² | 0.04 | | LB-Ft ² | | | | | | |
| Ref Wdg | TE48414 | | DR | | | | | | |
| Sound Pressure @ 1M | 56 | | dBA | | | | | | |
| VFD Rating | NONE | | Outline Dwg | | | | | | |
| Conn. Diag | 032113-550 | | Additional Specifications: | | | | | | |
| R1 | R2 | X1 | X2 | Xm | | | | | |
| 0.0000 | 0.0000 | 0.0000 | 0.0000 | 0.0000 | | | | | |

