

PRODUCT INFORMATION PACKET



Model No: A4P17NZ125A

Catalog No: 103719.00

..1/2HP..1800RPM.48Y.TEAO.115/230V.1PH.60HZ.CONT.40C.1.0SF.YOKE.....FAN.....

Pedestal Fan



Regal and Leeson are trademarks of Regal Beloit Corporation or one of its affiliated companies.

©2018 Regal Beloit Corporation, All Rights Reserved. MC017097E





Nameplate Specifications

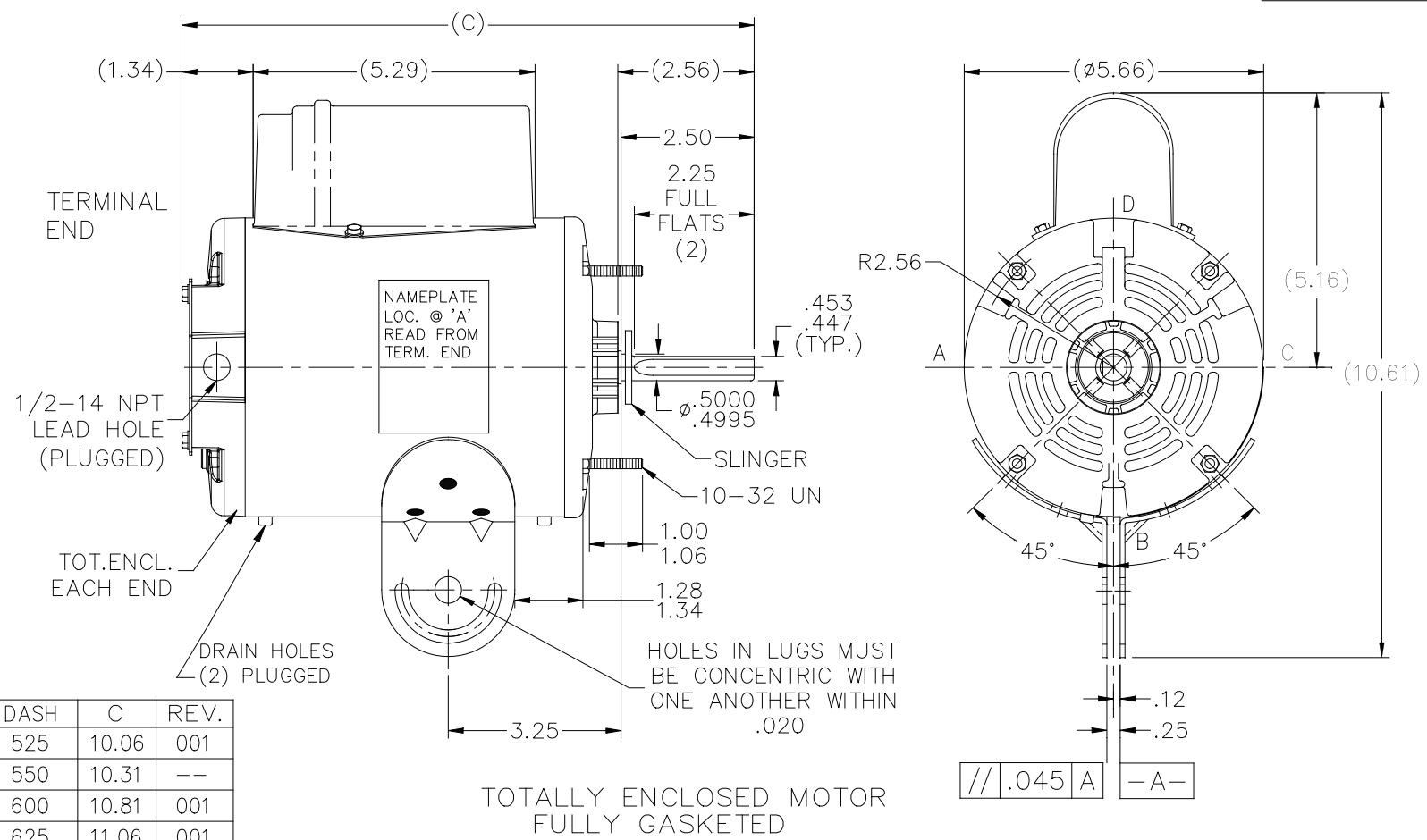
Output HP	0.50 Hp	Output KW	0.37 kW
Frequency	60 Hz	Voltage	115/230 V
Current	5.4/2.7 A	Speed	1625 rpm
Service Factor	1	Phase	1
Efficiency	72 %	Duty	Continuous
Insulation Class	B	Design Code	N
KVA Code	B	Frame	48Y
Enclosure	Totally Enclosed Air Over	Overload Protector	Automatic Lock Rotor Only
Ambient Temperature	40 °C	Drive End Bearing Size	203
Opp Drive End Bearing Size	203	UL	Recognized
CSA	Y	CE	N
IP Code	43		

Technical Specifications

Electrical Type	Permanent Split Capacitor	Starting Method	Across The Line
Poles	4	Rotation	Selective Counterclockwise
Mounting	Round - Swing Arm	Motor Orientation	HORIZONTAL
Drive End Bearing	BALL	Opp Drive End Bearing	BALL
Frame Material	Rolled Steel	Shaft Type	Single Special Extension
Overall Length	11.06 in	Frame Length	6.25 in
Shaft Diameter	0.625 in	Shaft Extension	2.56 in
Assembly/Box Mounting	F1 ONLY		
Outline Drawing	A-SS403994LE-625	Connection Diagram	A-EE9057BA-LE

This is an uncontrolled document once printed or downloaded and is subject to change without notice. Date Created: 10/15/2018

SS403994LE

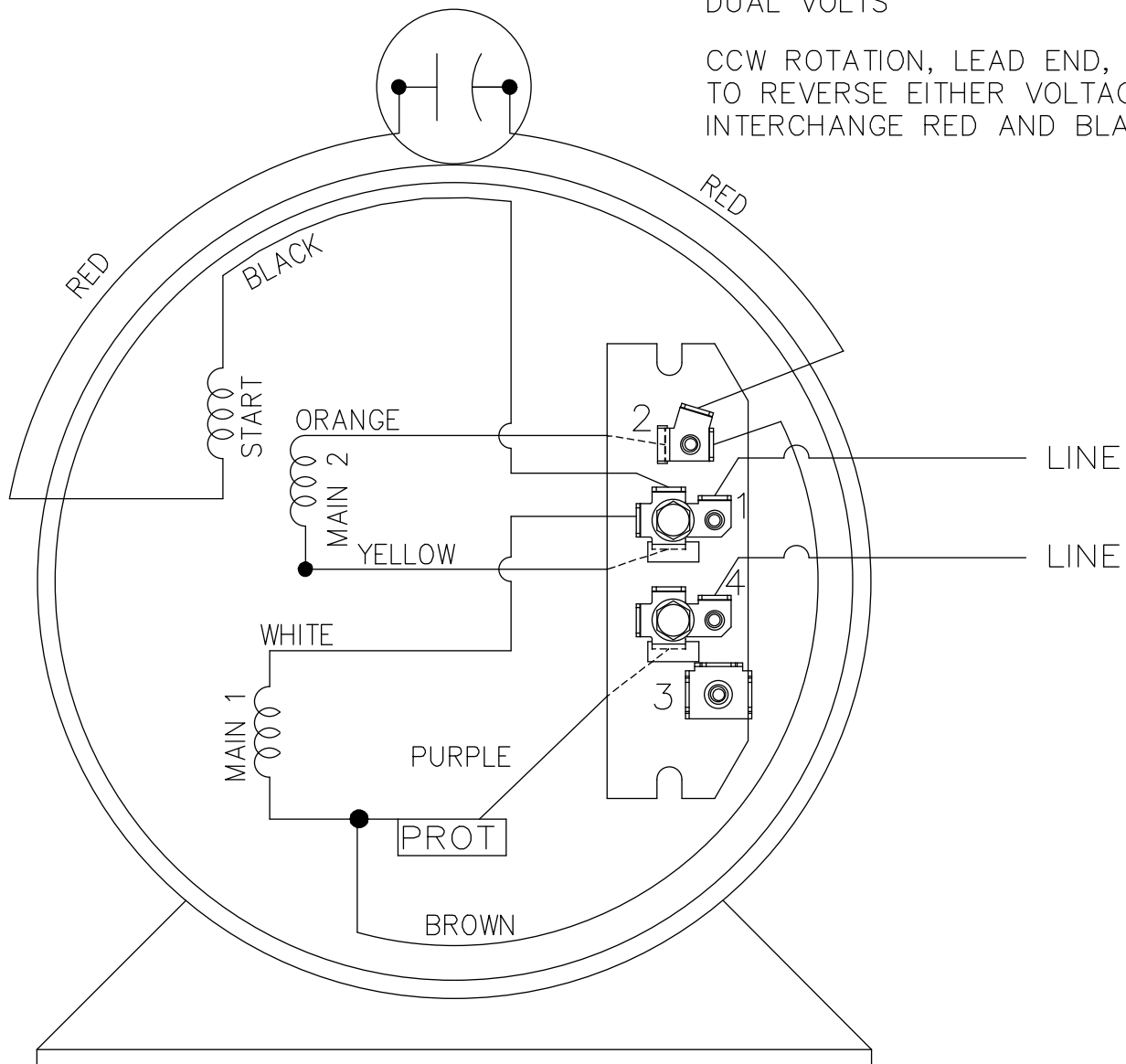


DASH	C	REV.
525	10.06	001
550	10.31	--
600	10.81	001
625	11.06	001

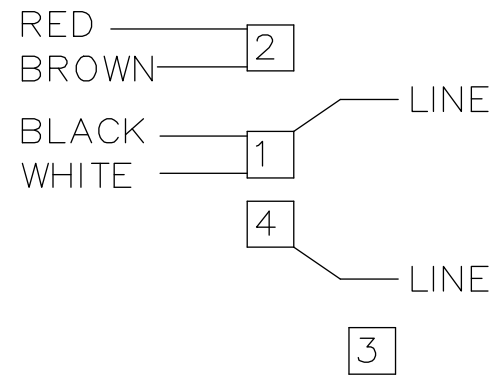
			TOLERANCES UNLESS SPECIFIED		LEESON	ELECTRIC MOTORS GEARMOTORS AND DRIVES	DRAWN SVL 1-7-2012		
			DEC.	INCHES			CHK		
			.X	±			APPD SVL 1-7-2012		
			.XX	±.03	TITLE OUTLINE		SCALE 3=8		
			.XXX	±.005	48 FR.		REF SS403014		
D	1.00/1.06 WAS .94/1.00	ECO 0107818	GWS	8/16/16	MAT'L.		FMF MU111579		
NO.	REVISION		BY & DATE	CHK ANG	±'30"	FINISH	PREV		
THIS DRAWING IN DESIGN AND DETAIL IS OUR PROPERTY AND MUST NOT BE USED EXCEPT IN CONNECTION WITH OUR WORK ALL RIGHTS OF DESIGN AND INVENTION ARE RESERVED THIS IS AN ELECTRONICALLY GENERATED DOCUMENT - DO NOT SCALE THIS PRINT						RFP 1-7-2012	CAD FILE SS403994LE	SIZE A	DRAWING NO. PAGE 1 OF 1 REV. SS403994LE D
						DIST WP			

DUAL VOLTS

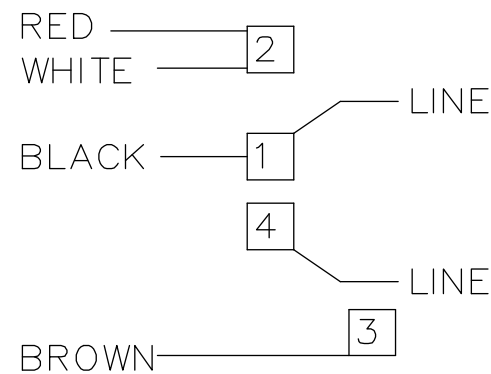
CCW ROTATION, LEAD END, SHOWN
TO REVERSE EITHER VOLTAGE
INTERCHANGE RED AND BLACK LEADS.




LOW VOLTAGE



HIGH VOLTAGE



VIEW OF TERMINAL END

				TOLERANCES UNLESS SPECIFIED			ELECTRIC MOTORS GEARMOTORS AND DRIVES	DRAWN	PVR 11/16/12		
				DEC.	INCHES			CHK	RD 11/16/12		
				.X	± -			APPD			
				.XX	± -			TITLE	CONNECTION DIAGRAM	SCALE	1=1
				.XXX	± -			REF	EE9057T	FMF	MU110993
				.XXXX	± -	MAT'L.		PREV	PR121931		
NO.	REVISION	BY & DATE	CHK	ANG	± -	FINISH		SIZE	DRAWING NO. PAGE OF REV.		
			RFP	CAD FILE EE9057BA-LE			A	EE9057BA-LE			
			DIST	WP							

THIS DRAWING IN DESIGN AND DETAIL IS OUR PROPERTY AND MUST NOT BE USED EXCEPT IN CONNECTION WITH OUR WORK ALL RIGHTS OF DESIGN AND INVENTION ARE RESERVED THIS IS AN ELECTRONICALLY GENERATED DOCUMENT - DO NOT SCALE THIS PRINT

