

PRODUCT INFORMATION PACKET



Model No: A4P17NZ65A

Catalog No: 103715.00

..1/3HP..1800RPM.48Y.TEAO.115/230V.1PH.60HZ.CONT.40C.1.0SF.YOKE.....FAN.....

Pedestal Fan



Regal and Leeson are trademarks of Regal Beloit Corporation or one of its affiliated companies.

©2018 Regal Beloit Corporation, All Rights Reserved. MC017097E





Nameplate Specifications

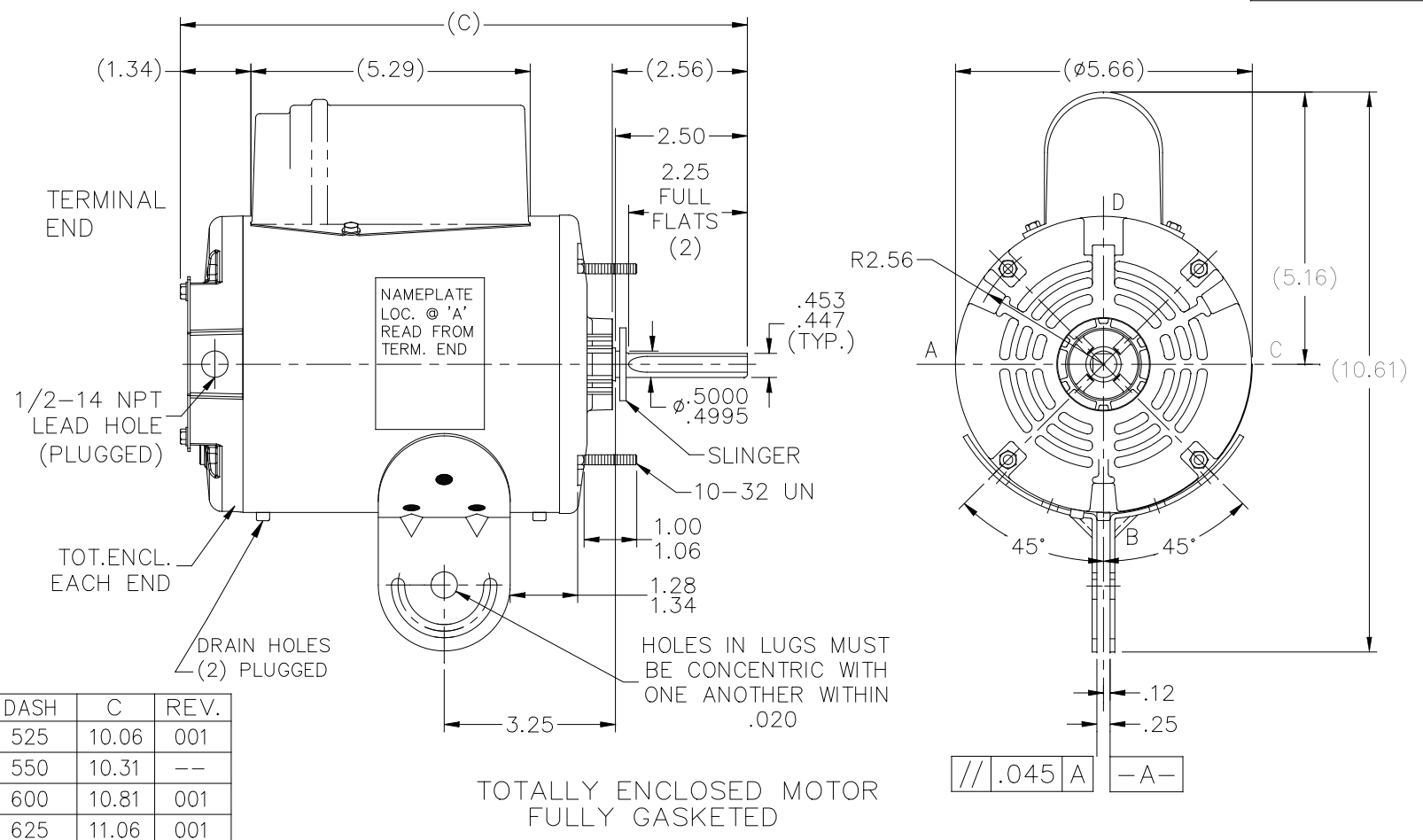
Output HP	0.33 Hp	Output KW	0.25 kW
Frequency	60 Hz	Voltage	115/230 V
Current	3.5/1.8 A	Speed	1625 rpm
Service Factor	1	Phase	1
Efficiency	66 %	Duty	Continuous
Insulation Class	B	Design Code	N
KVA Code	D	Frame	48Y
Enclosure	Totally Enclosed Non Ventilated	Overload Protector	Automatic Lock Rotor Only
Ambient Temperature	40 °C	Drive End Bearing Size	6203
Opp Drive End Bearing Size	6203	UL	Recognized
CSA	Y	CE	N
IP Code	43		

Technical Specifications

Electrical Type	Permanent Split Capacitor	Starting Method	Across The Line
Poles	4	Rotation	Selective Counterclockwise
Mounting	Round - Swing Arm	Motor Orientation	HORIZONTAL
Drive End Bearing	BALL	Opp Drive End Bearing	BALL
Frame Material	Rolled Steel	Shaft Type	Single Special Extension
Overall Length	10.81 in	Frame Length	6.00 in
Shaft Diameter	0.625 in	Shaft Extension	2.56 in
Assembly/Box Mounting	F1 ONLY		
Outline Drawing	A-SS403994LE-600	Connection Diagram	A-EE9057BA-LE

This is an uncontrolled document once printed or downloaded and is subject to change without notice. Date Created: 10/15/2018

SS403994LE



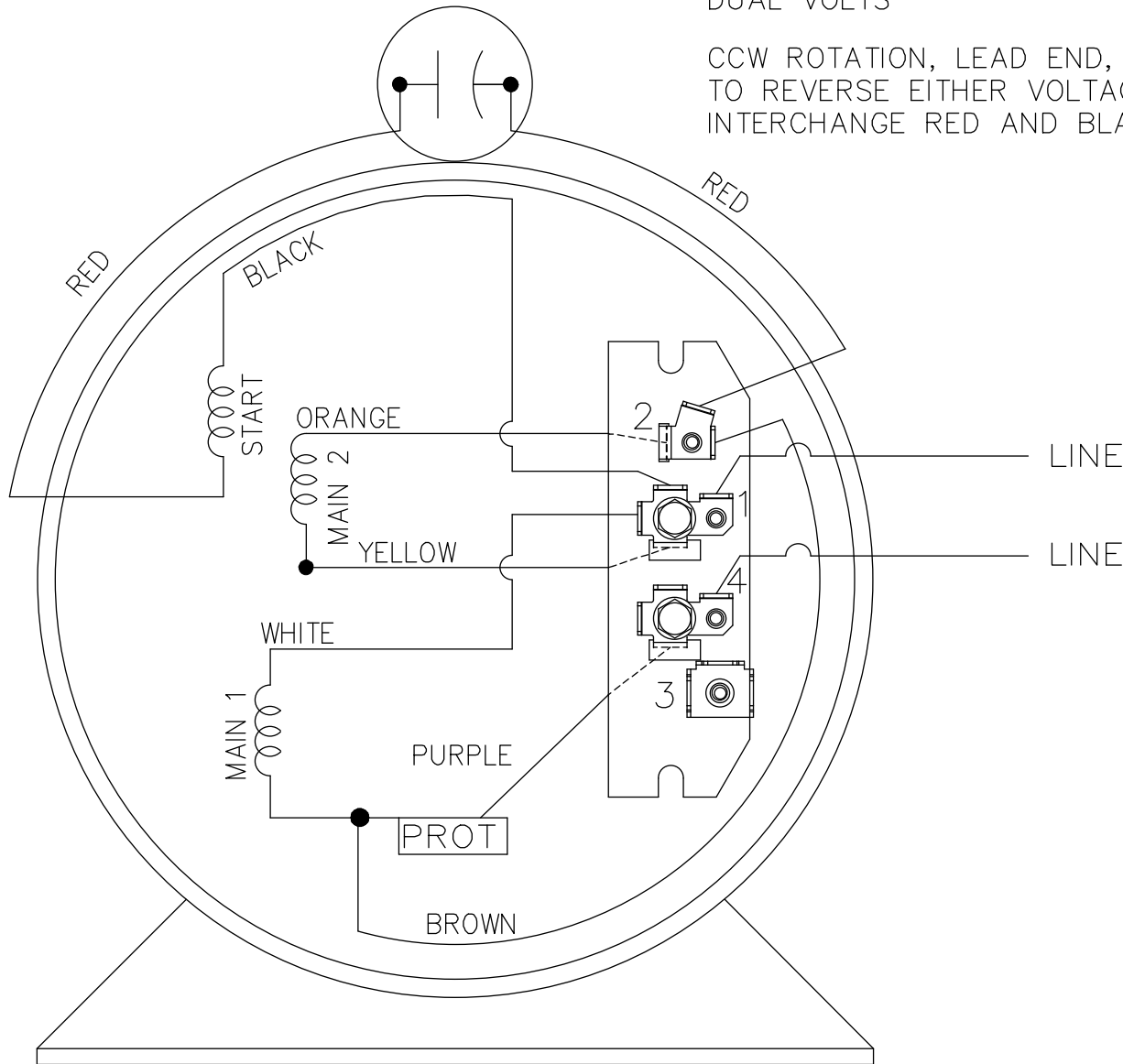
DASH	C	REV.
525	10.06	001
550	10.31	--
600	10.81	001
625	11.06	001

TOTALLY ENCLOSED MOTOR
FULLY GASKETED

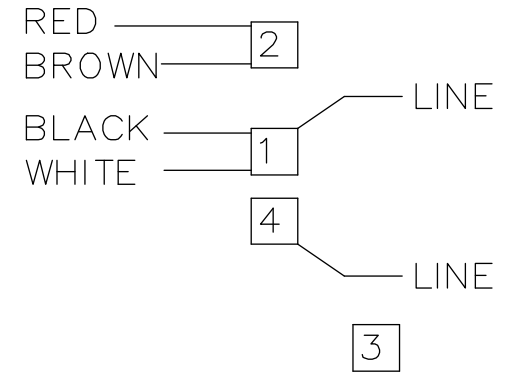
		TOLERANCES UNLESS SPECIFIED		LEESON	ELECTRIC MOTORS GEARMOTORS AND DRIVES	DRAWN SVL 1-7-2012	
		DEC.	INCHES			CHK	APPD SVL 1-7-2012
		.X	±		TITLE OUTLINE	REF SS403014	
		.XX	±.03		48 FR.	FMF MU111579	
		.XXX	±.005		MAT'L.	PREV	
D	1.00/1.06 WAS .94/1.00 ECO 0107818	GWS	8/16/16	.XXXX	±.0005		
NO.	REVISION	BY & DATE	CHK	ANG	±'30"		
THIS DRAWING IN DESIGN AND DETAIL IS OUR PROPERTY AND MUST NOT BE USED EXCEPT IN CONNECTION WITH OUR WORK ALL RIGHTS OF DESIGN AND INVENTION ARE RESERVED THIS IS AN ELECTRONICALLY GENERATED DOCUMENT - DO NOT SCALE THIS PRINT				RFP	1-7-2012	CAD FILE	SS403994LE
				DIST	WP	SIZE	DRAWING NO. PAGE 1 OF 1 REV.
						A	SS403994LE D

DUAL VOLTS

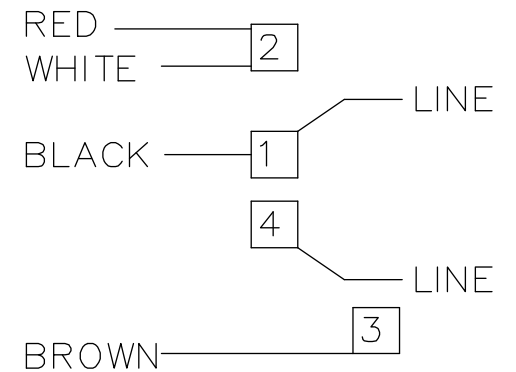
CCW ROTATION, LEAD END, SHOWN
TO REVERSE EITHER VOLTAGE
INTERCHANGE RED AND BLACK LEADS.




LOW VOLTAGE



HIGH VOLTAGE



VIEW OF TERMINAL END

				TOLERANCES UNLESS SPECIFIED			ELECTRIC MOTORS GEARMOTORS AND DRIVES		DRAWN PVR 11/16/12		
				DEC.	INCHES				CHK RD 11/16/12		
				.X	± -				APPD		
				.XX	± -		TITLE CONNECTION DIAGRAM		SCALE 1=1		
				.XXX	± -				REF EE9057T		
				.XXXX	± -	FMF MU110993					
NO.	REVISION	BY & DATE	CHK	ANG	± -	FINISH			PREV PR121931		
THIS DRAWING IN DESIGN AND DETAIL IS OUR PROPERTY AND MUST NOT BE USED EXCEPT IN CONNECTION WITH OUR WORK ALL RIGHTS OF DESIGN AND INVENTION ARE RESERVED THIS IS AN ELECTRONICALLY GENERATED DOCUMENT - DO NOT SCALE THIS PRINT				RFP	CAD FILE EE9057BA-LE		SIZE	DRAWING NO.	PAGE	OF	REV.
				DIST	WP			A	EE9057BA-LE		

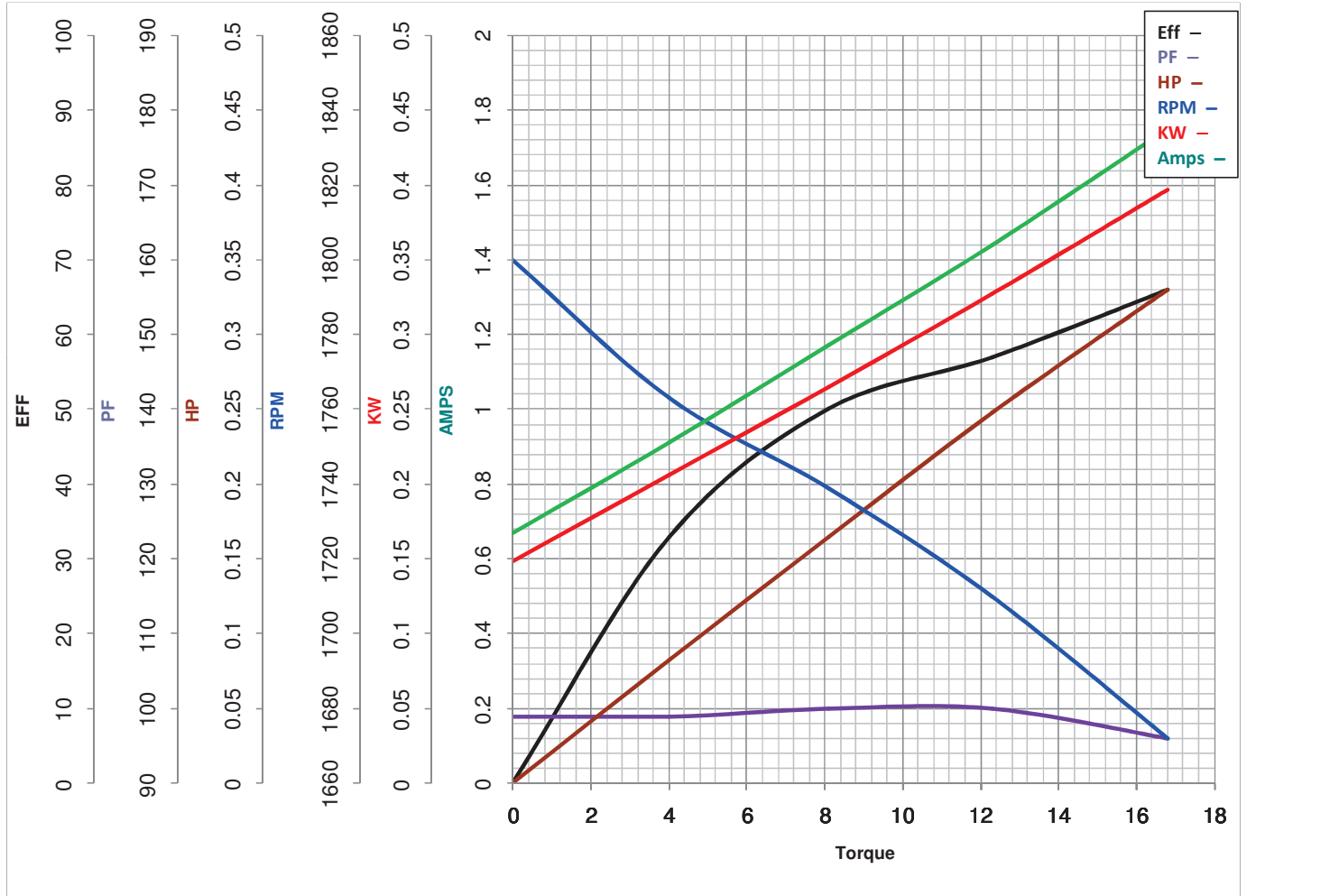


LEESON ELECTRIC CORPORATION
 TYPICAL PERFORMANCE CURVE for AC MOTOR

Model No 103715.00

Catalog No 103715.00

Curve at 230 Volts HP 0.33 PHASE 1
60 HZ
0.33 HP VOLTS 115/230
 HZ 60 RPM 1625



FL TORQUE	<u>16.8</u> Oz.Ft	FL AMPS	<u>3.5/1.75</u>
BD TORQUE	<u>30.2</u> Oz.Ft	PU TORQUE	<u>9.8</u> Oz.Ft
LR TORQUE	<u>11.4</u> Oz.Ft	LR AMPS	<u>5.71</u>
WINDING	PE484304-3	Date	4/23/2018

Uncontrolled Copy