

PRODUCT INFORMATION PACKET



Model No: A4P11NZ75A

Catalog No: 103714.00

..1/4HP..1200RPM.48Y.TEAO.115V.1PH.60HZ.CONT.40C.1.0SF.YOKE.....FAN.....

Pedestal Fan



Regal and Leeson are trademarks of Regal Beloit Corporation or one of its affiliated companies.

©2018 Regal Beloit Corporation, All Rights Reserved. MC017097E





Nameplate Specifications

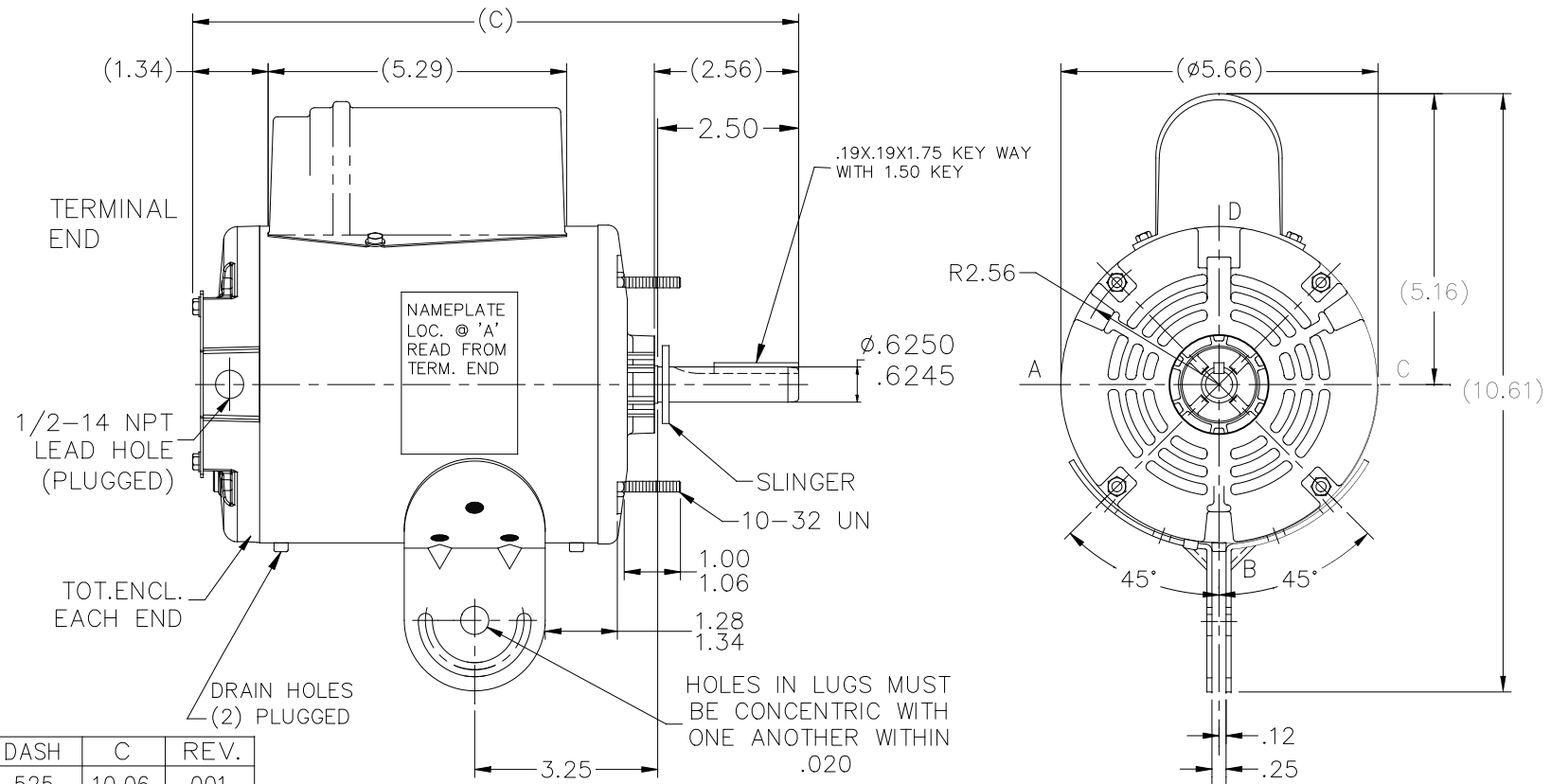
Output HP	0.25 Hp	Output KW	0.19 kW
Frequency	60 Hz	Voltage	115 V
Current	3.2 A	Speed	1075 rpm
Service Factor	1	Phase	1
Efficiency	59.5 %	Duty	Continuous
Insulation Class	B	Design Code	N
KVA Code	B	Frame	48YZ
Enclosure	Totally Enclosed Air Over	Overload Protector	Automatic Lock Rotor Only
Ambient Temperature	40 °C	Drive End Bearing Size	6203
Opp Drive End Bearing Size	6203	UL	Recognized
CSA	Y	CE	N
IP Code	43		

Technical Specifications

Electrical Type	Permanent Split Capacitor	Starting Method	Across The Line
Poles	6	Rotation	Selective Counterclockwise
Mounting	Round - Swing Arm	Motor Orientation	HORIZONTAL
Drive End Bearing	BALL	Opp Drive End Bearing	BALL
Frame Material	Rolled Steel	Shaft Type	Single Special Extension
Overall Length	10.06 in	Frame Length	5.25 in
Shaft Diameter	0.625 in	Shaft Extension	2.5 in
Assembly/Box Mounting	F1 ONLY		
Outline Drawing	A-SS403995LE-525	Connection Diagram	A-005532-01

This is an uncontrolled document once printed or downloaded and is subject to change without notice. Date Created: 10/15/2018

SS403995LE



TOTALLY ENCLOSED MOTOR FULLY GASKETED

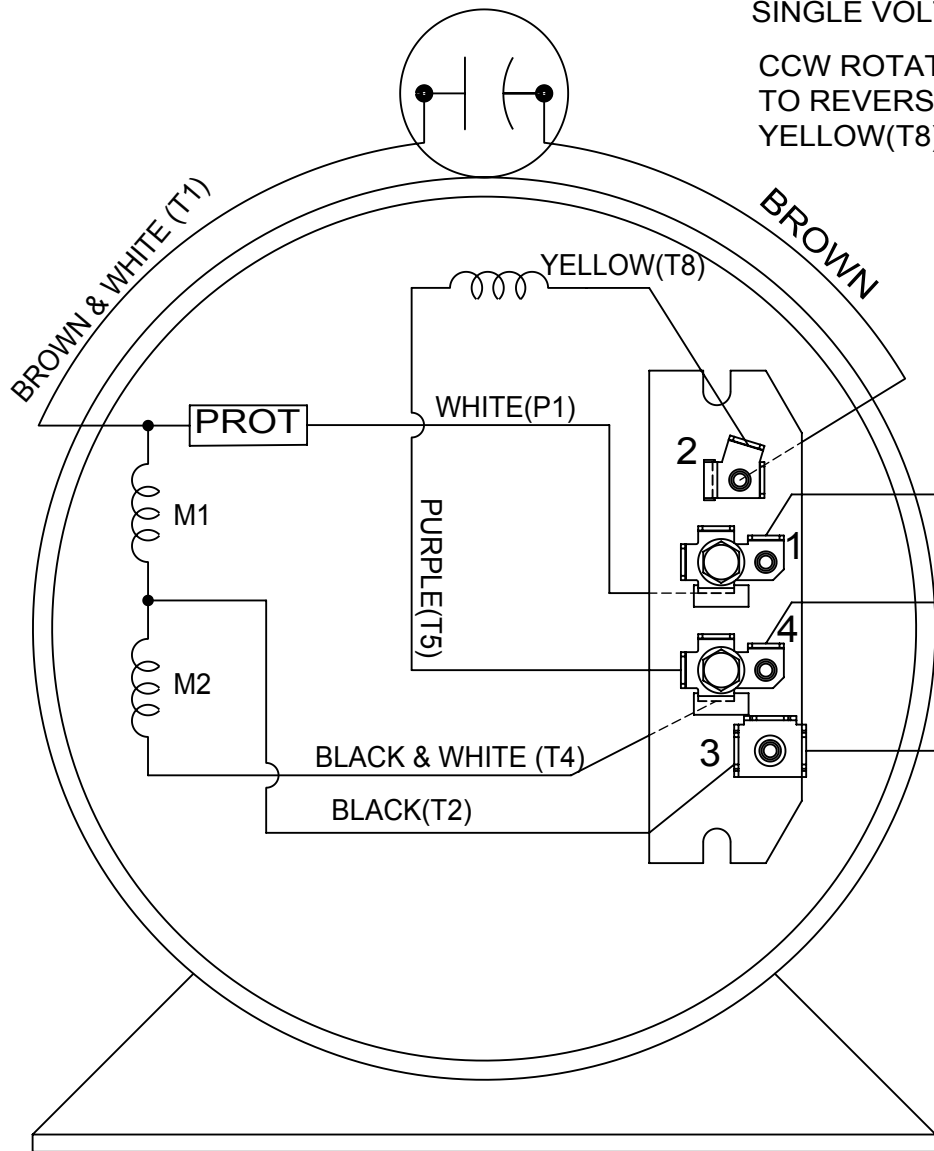
DASH	C	REV.
525	10.06	001
550	10.31	--
600	10.81	001
625	11.06	001

		TOLERANCES UNLESS SPECIFIED		LEESON	ELECTRIC MOTORS GEARMOTORS AND DRIVES	DRAWN SVL 1-11-2012				
		DEC.	INCHES			CHK				
		.X	±			APPD SVL 1-11-2012				
		.XX	±.03		TITLE OUTLINE	SCALE 3=8				
		.XXX	±.005		48 FR.	REF SS403994LE				
C	1.00/1.06 WAS .94/1.00 ECR 0107818	GWS	8/16/16	.XXXX	MAT'L.	FMF MU111579				
NO.	REVISION	BY & DATE	CHK	ANG	±'30"	FINISH	PREV			
THIS DRAWING IN DESIGN AND DETAIL IS OUR PROPERTY AND MUST NOT BE USED EXCEPT IN CONNECTION WITH OUR WORK ALL RIGHTS OF DESIGN AND INVENTION ARE RESERVED THIS IS AN ELECTRONICALLY GENERATED DOCUMENT - DO NOT SCALE THIS PRINT				RFP	1-11-2012	CAD FILE SS403995LE	SIZE A	DRAWING NO. SS403995LE	PAGE 1 OF 1	REV. C
				DIST	WP					

Uncontrolled Copy

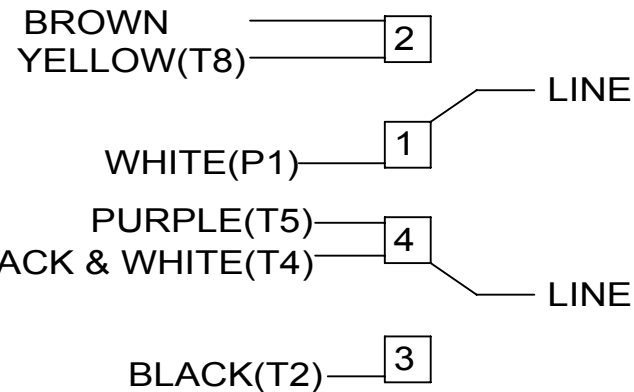
SINGLE VOLTAGE DUAL SPEED

CCW ROTATION, LEAD END, SHOWN
TO REVERSE INTERCHANGE
YELLOW(T8) AND PURPLE(T5) LEADS.

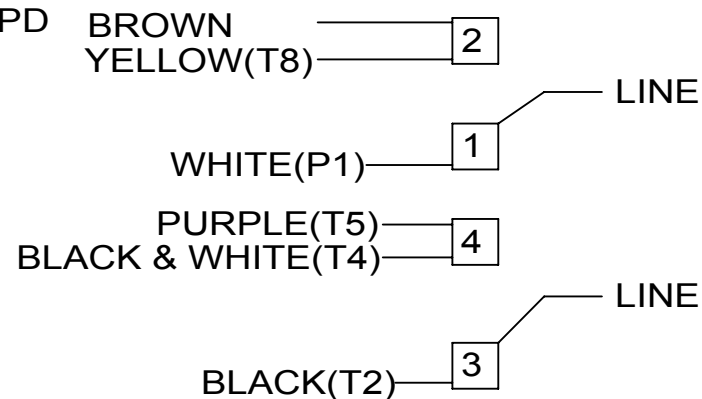


VIEW OF TERMINAL END

LOW SPEED



HIGH SPEED



NOTE: USE T & P MARKINGS WHEN CALLED IN BOM

DRAWING REVISION E	REVISION BY PST	DATE 06/09/2014	TOLERANCES UNLESS OTHERWISE SPECIFIED:		DRAWN BY VJB	Regal Beloit America, Inc.
ECO ECO-0053118	APPROVED BY SKM	DATE 06/09/2014	DEC.	INCH	mm	
ECO DESCRIPTION ADDED T & P MARKINGS			.X	±0.1	[±2.5]	±0.5°
COPYRIGHT REGAL BELOIT AMERICA, INC. ALL RIGHTS RESERVED. PROPRIETARY AND CONFIDENTIAL INFORMATION - THIS DOCUMENT IS THE PROPERTY OF REGAL BELOIT AMERICA, INC. ("OWNER") AND CONTAINS OWNER'S PROPRIETARY INFORMATION. ANY PERSON, CORPORATION OR OTHER FIRM RECEIVING IT IS DEEMED, BY RECEIVING IT, TO AGREE THAT IT, AND/OR ANY PART OF IT, SHALL NOT BE DISCLOSED TO ANY PERSON, CORPORATION OR OTHER ENTITY, DUPLICATED, AND/OR USED, EXCEPT AS EXPRESSLY APPROVED IN WRITING IN ADVANCE BY OWNER. THIS DOCUMENT SHALL BE RETURNED TO OWNER UPON REQUEST. IT MAY BE SUBJECT TO CERTAIN RESTRICTIONS UNDER APPLICABLE EXPORT CONTROL LAWS AND REGULATIONS.			.XX	±0.01	[±0.25]	
			.XXX	±0.005	[±0.127]	
			.XXXX	±0.0005	[±0.0127]	
			REMOVE BURRS & BREAK SHARP EDGES: .003/.015 [.076/.381] CORNER FILLETS: .02 [.51] MACHINED SURFACES: 125/3.2 INCH/mm			
DRAWING REVISION			mm SHOWN IN [BRACKETS]		DATE 01/16/13	DESCRIPTION CONN DIAGRAM-EXTERNAL C TYPE WITH PROTECTOR
THIRD ANGLE PROJECTION			MATERIAL		APPROVED BY	PROCESS/FINISH
SIZE A			DRAWING NUMBER 00553201		DATE	
					REFERENCE	
					THIRD ANGLE PROJECTION	SHEET 1 OF 1

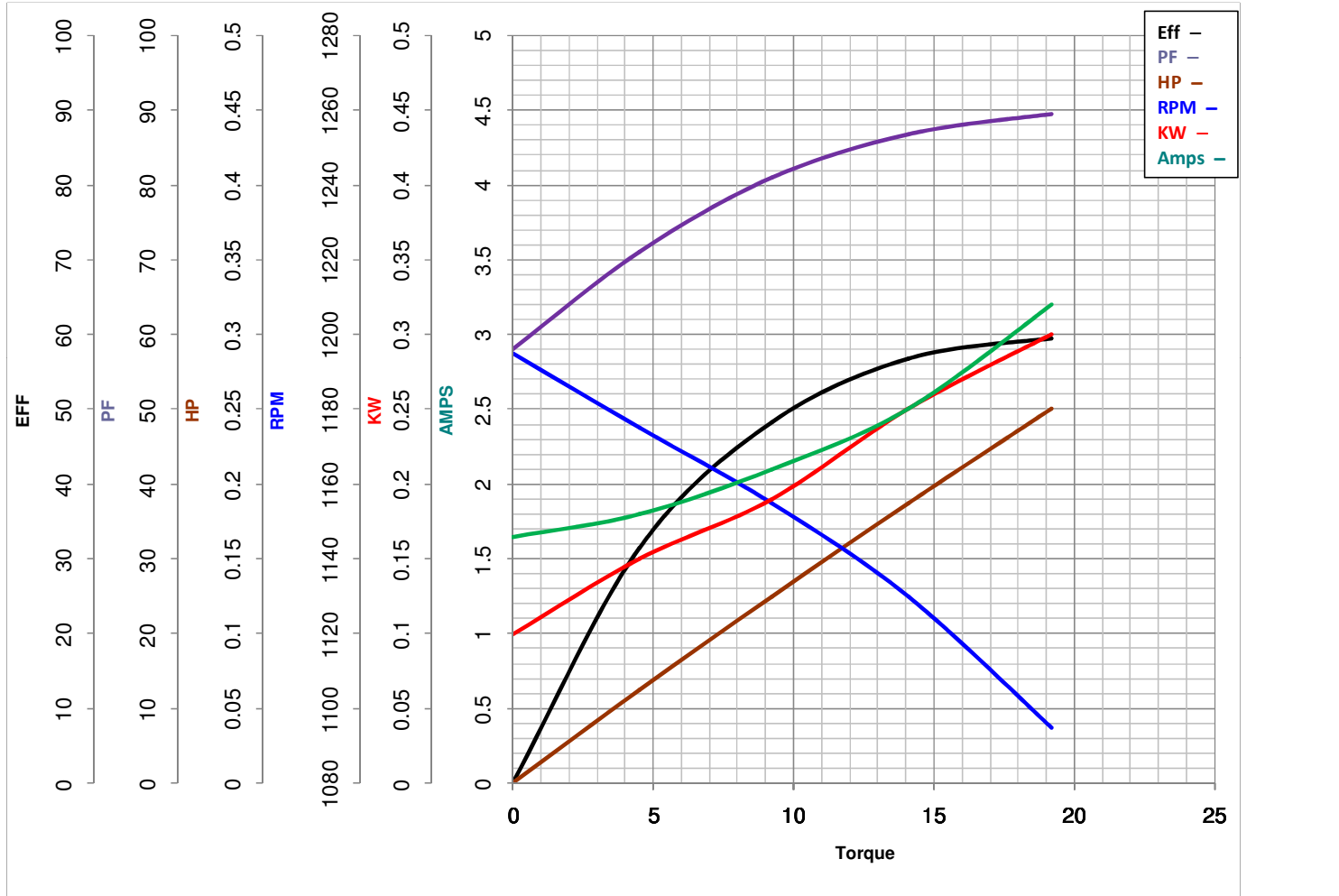


LEESON ELECTRIC CORPORATION
TYPICAL PERFORMANCE CURVE for AC MOTOR

Model No 103714.00

Catalog No 103714.00

Curve at 115 Volts HP 0.25 PHASE 1
60 HZ
0.25 HP VOLTS 115
 HZ 60 RPM 1075



Torque in Oz.Ft

FL TORQUE 19.2 Oz.Ft
 BD TORQUE 26.7 Oz.Ft
 LR TORQUE 7.9 Oz.Ft

FL AMPS 3.2
 PU TORQUE 7.1 Oz.Ft
 LR AMPS 7.3

WINDING PE4861979-1

Date 4/11/2018