

# PRODUCT INFORMATION PACKET



Model No: A4P11NZ74A

Catalog No: 103713.00

..1/4HP..1200RPM.48Y.TEAO.115V.1PH.60HZ.CONT.40C.1.0SF.TOKE.....FAN.....

Pedestal Fan



Regal and Leeson are trademarks of Regal Beloit Corporation or one of its affiliated companies.

©2018 Regal Beloit Corporation, All Rights Reserved. MC017097E





### Nameplate Specifications

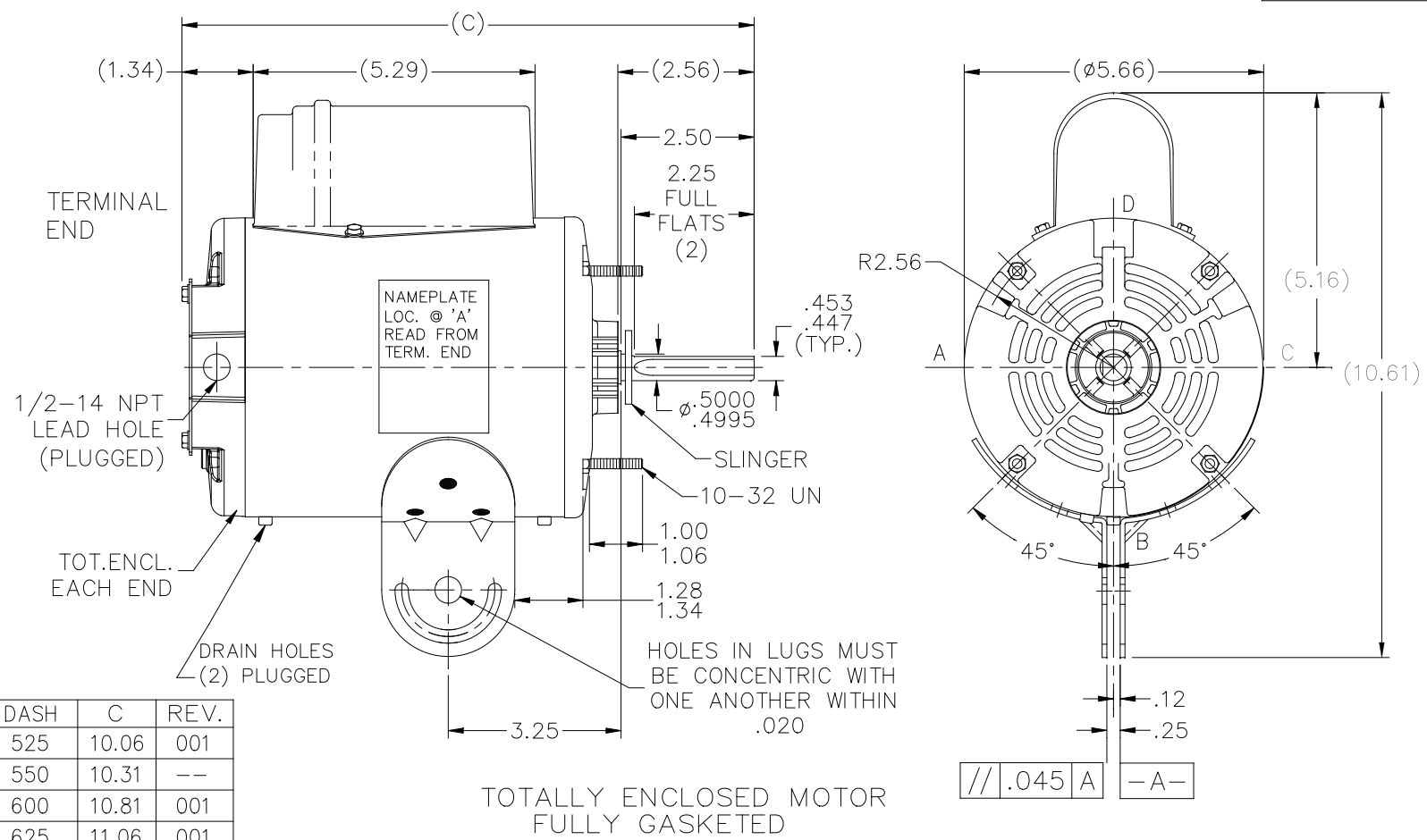
Output HP	<b>0.25 Hp</b>	Output KW	<b>0.19 kW</b>
Frequency	<b>60 Hz</b>	Voltage	<b>115 V</b>
Current	<b>3.2 A</b>	Speed	<b>1075 rpm</b>
Service Factor	<b>1</b>	Phase	<b>1</b>
Efficiency	<b>59.5 %</b>	Duty	<b>Continuous</b>
Insulation Class	<b>B</b>	Design Code	<b>N</b>
KVA Code	<b>B</b>	Frame	<b>48YZ</b>
Enclosure	<b>Totally Enclosed Air Over</b>	Overload Protector	<b>Automatic Lock Rotor Only</b>
Ambient Temperature	<b>40 °C</b>	Drive End Bearing Size	<b>6203</b>
Opp Drive End Bearing Size	<b>6203</b>	UL	<b>Recognized</b>
CSA	<b>Y</b>	CE	<b>N</b>
IP Code	<b>43</b>		

### Technical Specifications

Electrical Type	<b>Permanent Split Capacitor</b>	Starting Method	<b>Across The Line</b>
Poles	<b>6</b>	Rotation	<b>Selective Counterclockwise</b>
Mounting	<b>Round - Swing Arm</b>	Motor Orientation	<b>HORIZONTAL</b>
Drive End Bearing	<b>BALL</b>	Opp Drive End Bearing	<b>BALL</b>
Frame Material	<b>Rolled Steel</b>	Shaft Type	<b>Single Special Extension</b>
Overall Length	<b>10.06 in</b>	Frame Length	<b>5.25 in</b>
Shaft Diameter	<b>0.625 in</b>	Shaft Extension	<b>2.56 in</b>
Assembly/Box Mounting	<b>F1 ONLY</b>		
Outline Drawing	<b>A-SS403994LE-525</b>	Connection Diagram	<b>A-005532-01</b>

**This is an uncontrolled document once printed or downloaded and is subject to change without notice. Date Created: 10/15/2018**

SS403994LE



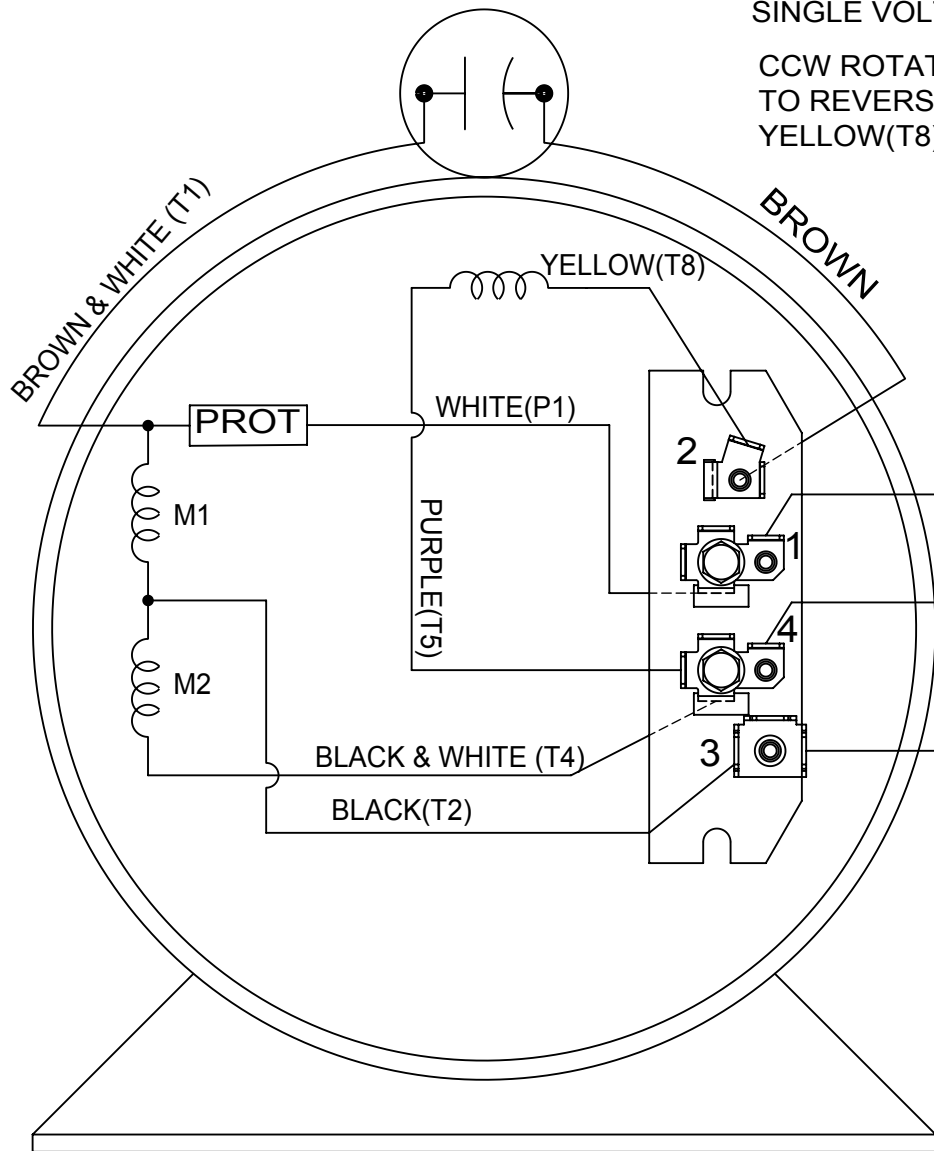
DASH	C	REV.
525	10.06	001
550	10.31	--
600	10.81	001
625	11.06	001

DASH		C	REV.	TOLERANCES UNLESS SPECIFIED		LEESON	ELECTRIC MOTORS GEARMOTORS AND DRIVES	DRAWN SVL 1-7-2012									
NO.	REVISION	BY & DATE	CHK	ANG	DEC.			INCHES	CHK	APPD SVL 1-7-2012							
D	1.00/1.06 WAS .94/1.00 ECO 0107818	GWS 8/16/16			.X	±	TITLE OUTLINE 48 FR. MAT'L.	SCALE	3=8								
					.XX	±.03		REF	SS403014								
					.XXX	±.005		FMF	MU111579								
					.XXXX	±.0005	FINISH	PREV									
THIS DRAWING IN DESIGN AND DETAIL IS OUR PROPERTY AND MUST NOT BE USED EXCEPT IN CONNECTION WITH OUR WORK ALL RIGHTS OF DESIGN AND INVENTION ARE RESERVED THIS IS AN ELECTRONICALLY GENERATED DOCUMENT - DO NOT SCALE THIS PRINT						RFP	1-7-2012	CAD FILE	SS403994LE	SIZE	A	DRAWING NO.	SS403994LE	PAGE	1 OF 1	REV.	D
						DIST	WP										

# Uncontrolled Copy

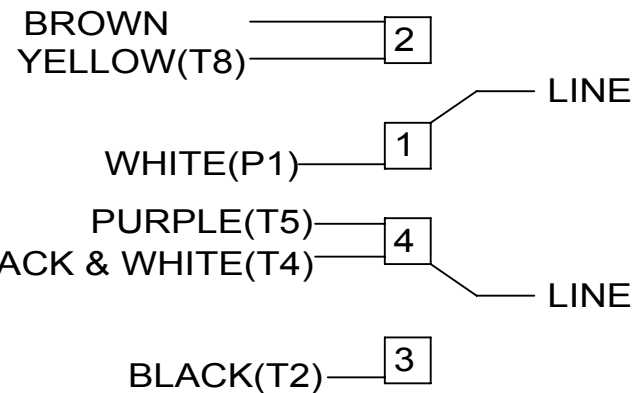
SINGLE VOLTAGE DUAL SPEED

CCW ROTATION, LEAD END, SHOWN  
TO REVERSE INTERCHANGE  
YELLOW(T8) AND PURPLE(T5) LEADS.

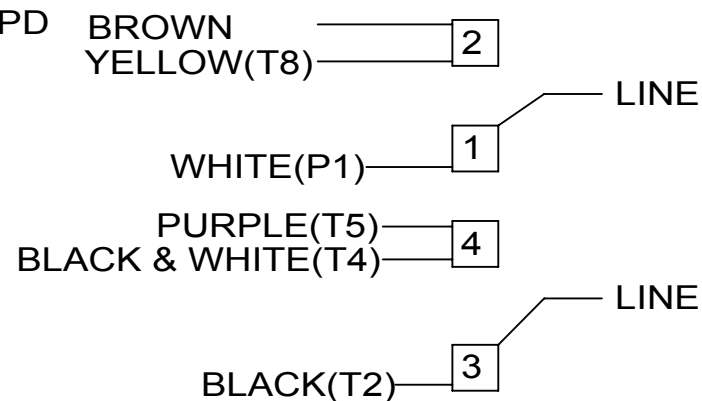


VIEW OF TERMINAL END

## LOW SPEED



## HIGH SPEED



NOTE: USE T & P MARKINGS WHEN CALLED IN BOM

DRAWING REVISION E	REVISION BY PST	DATE 06/09/2014	TOLERANCES UNLESS OTHERWISE SPECIFIED:		DRAWN BY VJB	Regal Beloit America, Inc.
ECO ECO-0053118	APPROVED BY SKM	DATE 06/09/2014	DEC.	INCH	mm	
ECO DESCRIPTION ADDED T & P MARKINGS			.X	±0.1	[±2.5]	±0.5°
COPYRIGHT REGAL BELOIT AMERICA, INC. ALL RIGHTS RESERVED. PROPRIETARY AND CONFIDENTIAL INFORMATION - THIS DOCUMENT IS THE PROPERTY OF REGAL BELOIT AMERICA, INC. ("OWNER") AND CONTAINS OWNER'S PROPRIETARY INFORMATION. ANY PERSON, CORPORATION OR OTHER FIRM RECEIVING IT IS DEEMED, BY RECEIVING IT, TO AGREE THAT IT, AND/OR ANY PART OF IT, SHALL NOT BE DISCLOSED TO ANY PERSON, CORPORATION OR OTHER ENTITY, DUPLICATED, AND/OR USED, EXCEPT AS EXPRESSLY APPROVED IN WRITING IN ADVANCE BY OWNER. THIS DOCUMENT SHALL BE RETURNED TO OWNER UPON REQUEST. IT MAY BE SUBJECT TO CERTAIN RESTRICTIONS UNDER APPLICABLE EXPORT CONTROL LAWS AND REGULATIONS.			.XX	±0.01	[±0.25]	
			.XXX	±0.005	[±0.127]	
			.XXXX	±0.0005	[±0.0127]	
			REMOVE BURRS & BREAK SHARP EDGES: .003/.015 [.076/.381] CORNER FILLETS: .02 [.51] MACHINED SURFACES: 125/ mm 3.2/ INCH			
DRAWING REVISION			mm SHOWN IN [BRACKETS]		DATE 01/16/13	DESCRIPTION CONN DIAGRAM-EXTERNAL C TYPE WITH PROTECTOR
THIRD ANGLE PROJECTION			MATERIAL		APPROVED BY	PROCESS/FINISH
SIZE A			DRAWING NUMBER 00553201		DATE	
					REFERENCE	
					THIRD ANGLE PROJECTION	SHEET 1 OF 1

