

PRODUCT INFORMATION PACKET



Model No: A4P17NZ118A

Catalog No: 103712.00

..1/4HP..1800RPM.48Y.TEAO.115/230V.1PH.60HZ.CONT.40C.1.0SF.YOKE.....FAN.....

Pedestal Fan



Regal and Leeson are trademarks of Regal Beloit Corporation or one of its affiliated companies.

©2018 Regal Beloit Corporation, All Rights Reserved. MC017097E





Nameplate Specifications

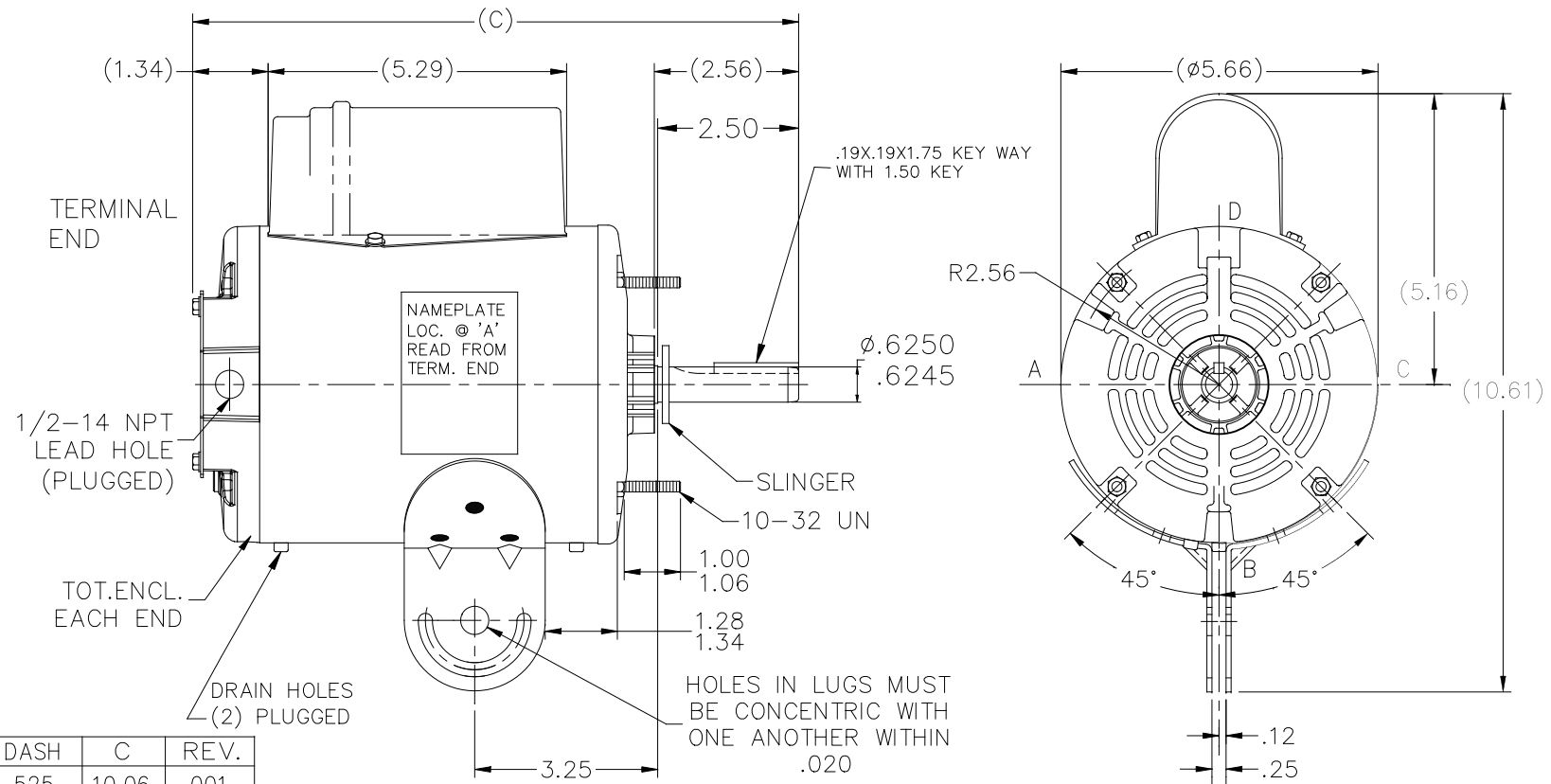
| | | | |
|----------------------------|--|------------------------|----------------------------------|
| Output HP | 0.25 Hp | Output KW | 0.19 kW |
| Frequency | 60 Hz | Voltage | 115/230 V |
| Current | 3.6/1.8 A | Speed | 1625 rpm |
| Service Factor | 1 | Phase | 1 |
| Efficiency | 68 % | Duty | Continuous |
| Insulation Class | B | Design Code | N |
| KVA Code | F | Frame | 48Y |
| Enclosure | Totally Enclosed Non Ventilated | Overload Protector | Automatic Lock Rotor Only |
| Ambient Temperature | 40 °C | Drive End Bearing Size | 6203 |
| Opp Drive End Bearing Size | 6203 | UL | Recognized |
| CSA | Y | CE | N |
| IP Code | 43 | | |

Technical Specifications

| | | | |
|-----------------------|----------------------------------|-----------------------|-----------------------------------|
| Electrical Type | Permanent Split Capacitor | Starting Method | Across The Line |
| Poles | 4 | Rotation | Selective Counterclockwise |
| Mounting | Round - Swing Arm | Motor Orientation | HORIZONTAL |
| Drive End Bearing | BALL | Opp Drive End Bearing | BALL |
| Frame Material | Rolled Steel | Shaft Type | Single Special Extension |
| Overall Length | 10.81 in | Frame Length | 6.00 in |
| Shaft Diameter | 0.625 in | Shaft Extension | 2.56 in |
| Assembly/Box Mounting | F1 ONLY | | |
| Outline Drawing | A-SS403995LE-600 | Connection Diagram | A-EE9057BA-LE |

This is an uncontrolled document once printed or downloaded and is subject to change without notice. Date Created: 10/15/2018

SS403995LE



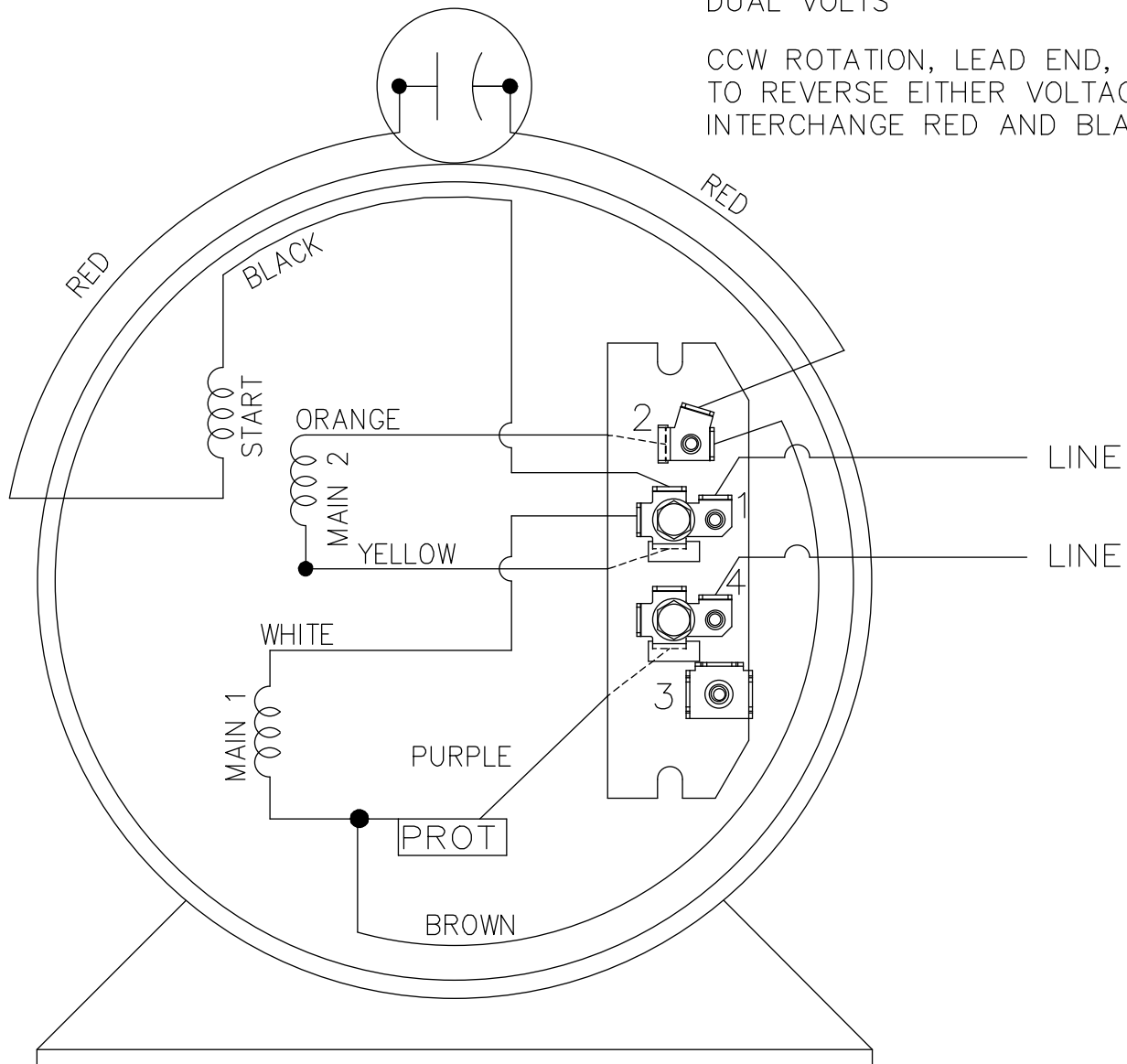
| DASH | C | REV. |
|------|-------|------|
| 525 | 10.06 | 001 |
| 550 | 10.31 | -- |
| 600 | 10.81 | 001 |
| 625 | 11.06 | 001 |

TOTALLY ENCLOSED MOTOR
FULLY GASKETED

| DASH | | C | REV. | TOLERANCES UNLESS SPECIFIED | | LEESON | ELECTRIC MOTORS GEARMOTORS AND DRIVES | DRAWN SVL 1-11-2012 | |
|--|--|------------------------------------|-------------|-----------------------------|-----------|---------------|---|---------------------|------------------------------|
| | | | | DEC. | INCHES | | | CHK | |
| | | | | .X | ± | | | APPD SVL 1-11-2012 | SCALE 3=8 |
| C | | 1.00/1.06 WAS .94/1.00 ECR 0107818 | GWS 8/16/16 | .XX | ±.03 | TITLE OUTLINE | | REF SS403994LE | |
| | | | | .XXX | ±.005 | 48 FR. | | FMF MU111579 | |
| NO. | | REVISION | BY & DATE | .XXXX | ±.0005 | MAT'L. | | PREV | |
| THIS DRAWING IN DESIGN AND DETAIL IS OUR PROPERTY AND MUST NOT BE USED EXCEPT IN CONNECTION WITH OUR WORK ALL RIGHTS OF DESIGN AND INVENTION ARE RESERVED THIS IS AN ELECTRONICALLY GENERATED DOCUMENT - DO NOT SCALE THIS PRINT | | | | RFP | 1-11-2012 | CAD FILE | SS403995LE | SIZE | DRAWING NO. PAGE 1 OF 1 REV. |
| | | | | DIST | WP | | | A | SS403995LE C |

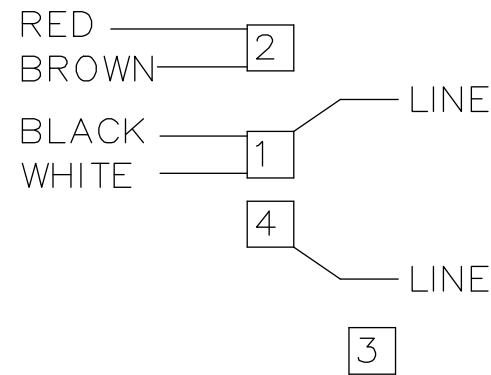
DUAL VOLTS

CCW ROTATION, LEAD END, SHOWN
TO REVERSE EITHER VOLTAGE
INTERCHANGE RED AND BLACK LEADS.

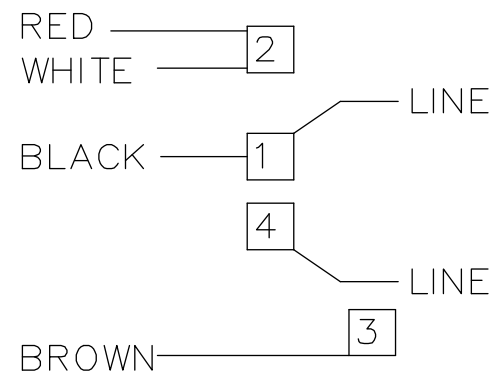



VIEW OF TERMINAL END

LOW VOLTAGE



HIGH VOLTAGE



| | | | | | | | | | | |
|--|----------|-----------|-----|-----------------------------|----------------------|---|---|--------------------|---------|------|
| | | | | TOLERANCES UNLESS SPECIFIED | |  | ELECTRIC MOTORS GEARMOTORS AND DRIVES | DRAWN PVR 11/16/12 | | |
| | | | | DEC. | INCHES | | | CHK RD 11/16/12 | | |
| | | | | .X | ± - | | | APPD | | |
| | | | | .XX | ± - | | | SCALE 1=1 | | |
| | | | | .XXX | ± - | | | REF EE9057T | | |
| | | | | .XXXX | ± - | MAT'L. | | FMF MU110993 | | |
| NO. | REVISION | BY & DATE | CHK | ANG | ± - | FINISH | PREV PR121931 | | | |
| THIS DRAWING IN DESIGN AND DETAIL IS OUR PROPERTY AND MUST NOT BE USED EXCEPT IN CONNECTION WITH OUR WORK ALL RIGHTS OF DESIGN AND INVENTION ARE RESERVED THIS IS AN ELECTRONICALLY GENERATED DOCUMENT - DO NOT SCALE THIS PRINT | | | | RFP | CAD FILE EE9057BA-LE | | SIZE | DRAWING NO. | PAGE OF | REV. |
| | | | | DIST | WP | A | | EE9057BA-LE | | |

