

# PRODUCT INFORMATION PACKET



Model No: A4P17NZ117A

Catalog No: 103711.00

..1/4 HP..1800RPMS.48Y.TEAO.115/230V.1PH.60HZ.CONT.40C.1.0S.F..YOKE.....

Pedestal Fan



Regal and Leeson are trademarks of Regal Beloit Corporation or one of its affiliated companies.

©2018 Regal Beloit Corporation, All Rights Reserved. MC017097E





### Nameplate Specifications

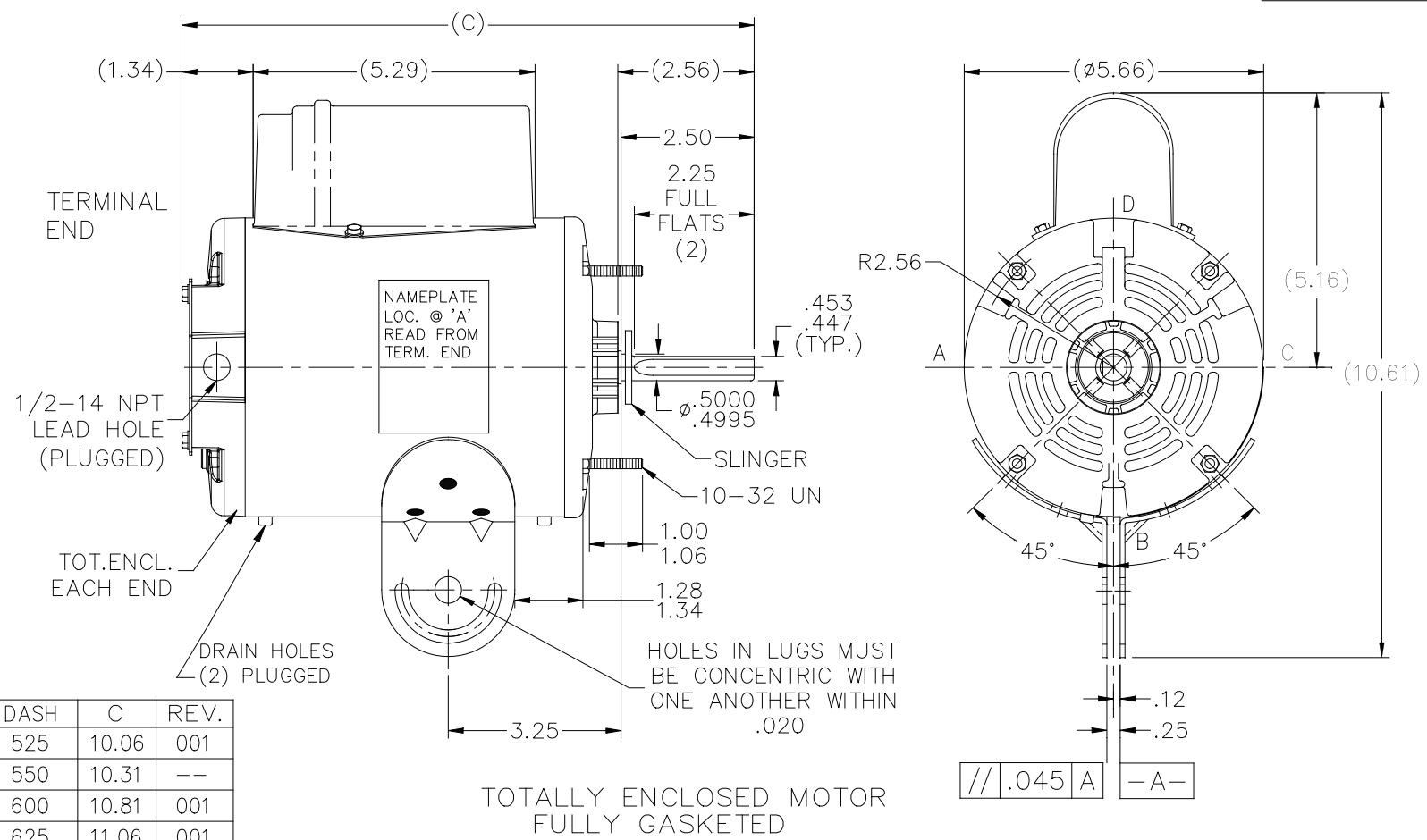
Output HP	<b>0.25 Hp</b>	Output KW	<b>0.19 kW</b>
Frequency	<b>60 Hz</b>	Voltage	<b>115/230 V</b>
Current	<b>3.6/1.8 A</b>	Speed	<b>1625 rpm</b>
Service Factor	<b>1</b>	Phase	<b>1</b>
Efficiency	<b>68 %</b>	Duty	<b>Continuous</b>
Insulation Class	<b>B</b>	Design Code	<b>N</b>
KVA Code	<b>F</b>	Frame	<b>48Y</b>
Enclosure	<b>Totally Enclosed Non Ventilated</b>	Overload Protector	<b>Automatic Lock Rotor Only</b>
Ambient Temperature	<b>40 °C</b>	Drive End Bearing Size	<b>6203</b>
Opp Drive End Bearing Size	<b>6203</b>	UL	<b>Recognized</b>
CSA	<b>Y</b>	CE	<b>N</b>
IP Code	<b>43</b>		

### Technical Specifications

Electrical Type	<b>Permanent Split Capacitor</b>	Starting Method	<b>Across The Line</b>
Poles	<b>4</b>	Rotation	<b>Selective Counterclockwise</b>
Mounting	<b>Round - Swing Arm</b>	Motor Orientation	<b>HORIZONTAL</b>
Drive End Bearing	<b>BALL</b>	Opp Drive End Bearing	<b>BALL</b>
Frame Material	<b>Rolled Steel</b>	Shaft Type	<b>Single Special Extension</b>
Overall Length	<b>10.81 in</b>	Frame Length	<b>6.00 in</b>
Shaft Diameter	<b>0.625 in</b>	Shaft Extension	<b>2.56 in</b>
Assembly/Box Mounting	<b>F1 ONLY</b>		
Outline Drawing	<b>A-SS403994LE-600</b>	Connection Diagram	<b>A-EE9057BA-LE</b>

**This is an uncontrolled document once printed or downloaded and is subject to change without notice. Date Created: 10/15/2018**

SS403994LE



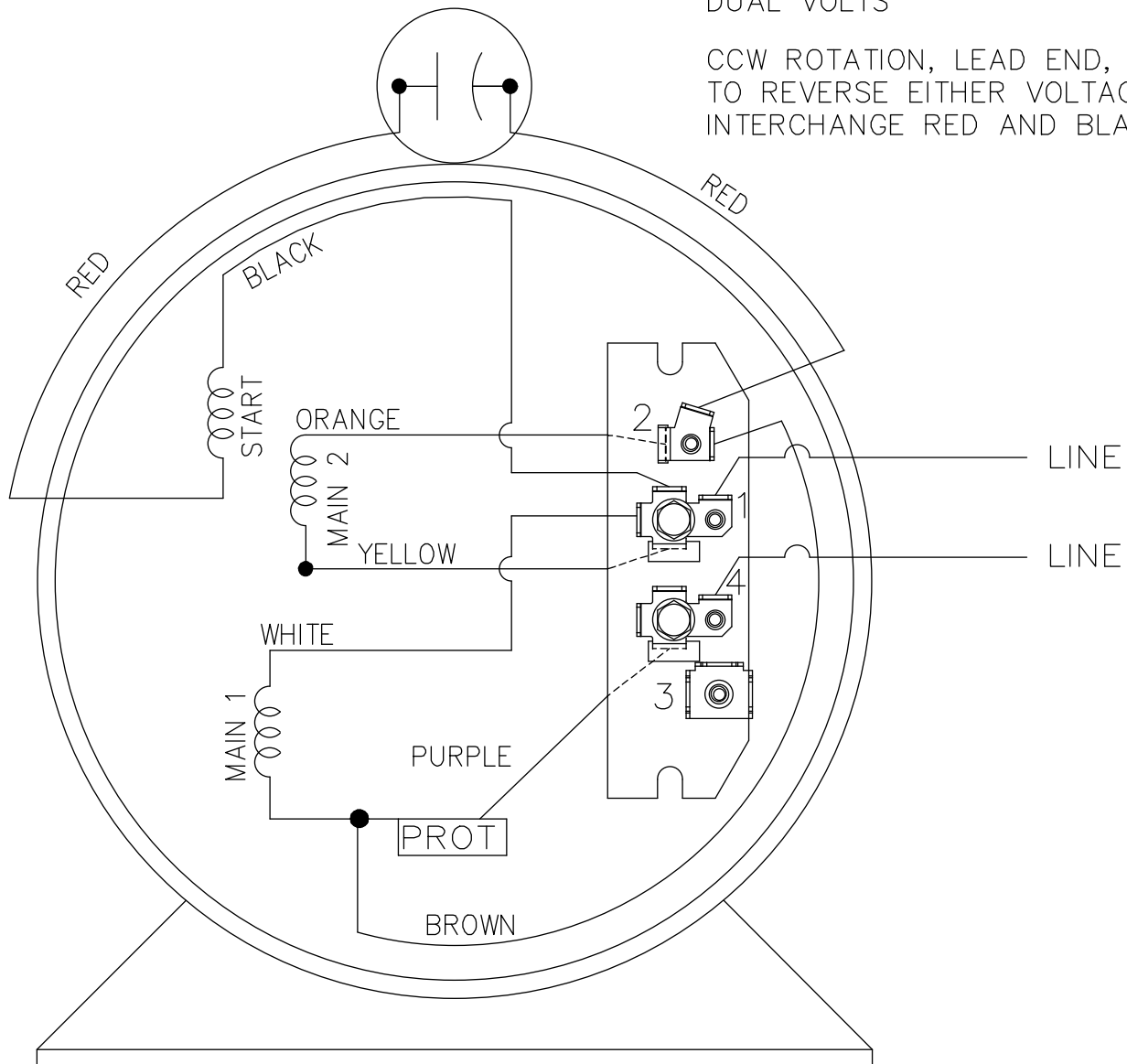
DASH	C	REV.
525	10.06	001
550	10.31	--
600	10.81	001
625	11.06	001

TOTALLY ENCLOSED MOTOR  
FULLY GASKETED

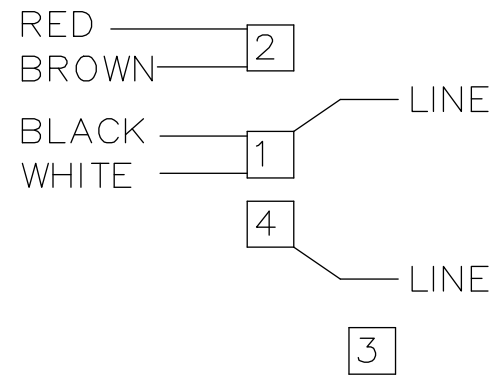
DASH		C	REV.	TOLERANCES UNLESS SPECIFIED		LEESON	ELECTRIC MOTORS GEARMOTORS AND DRIVES	DRAWN SVL 1-7-2012		
NO.	REVISION	BY & DATE	CHK	ANG	DEC.			INCHES	APPD	SVL 1-7-2012
D	1.00/1.06 WAS .94/1.00 ECO 0107818	GWS 8/16/16			.X	±	TITLE OUTLINE 48 FR.	SCALE	3=8	
					.XX	±.03	MAT'L.	REF	SS403014	
					.XXX	±.005	FINISH	FMF	MU111579	
					.XXXX	±.0005		PREV		
THIS DRAWING IN DESIGN AND DETAIL IS OUR PROPERTY AND MUST NOT BE USED EXCEPT IN CONNECTION WITH OUR WORK ALL RIGHTS OF DESIGN AND INVENTION ARE RESERVED THIS IS AN ELECTRONICALLY GENERATED DOCUMENT - DO NOT SCALE THIS PRINT						RFP	1-7-2012	CAD FILE	SS403994LE	
						DIST	WP	SIZE	A	
						DRAWING NO.			PAGE 1 OF 1	REV.
						SS403994LE			D	

DUAL VOLTS

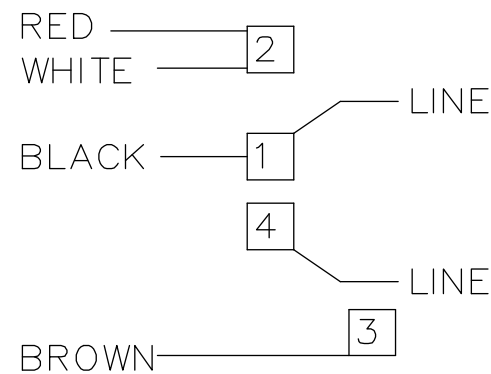
CCW ROTATION, LEAD END, SHOWN  
TO REVERSE EITHER VOLTAGE  
INTERCHANGE RED AND BLACK LEADS.




LOW VOLTAGE



HIGH VOLTAGE



VIEW OF TERMINAL END

				TOLERANCES UNLESS SPECIFIED			ELECTRIC MOTORS GEARMOTORS AND DRIVES	DRAWN PVR 11/16/12		
				DEC.	INCHES			CHK RD 11/16/12		
				.X	± -			APPD		
				.XX	± -			SCALE 1=1		
				.XXX	± -			REF EE9057T		
				.XXXX	± -	MAT'L.		FMF MU110993		
NO.	REVISION	BY & DATE	CHK	ANG	± -	FINISH	PREV PR121931			
THIS DRAWING IN DESIGN AND DETAIL IS OUR PROPERTY AND MUST NOT BE USED EXCEPT IN CONNECTION WITH OUR WORK ALL RIGHTS OF DESIGN AND INVENTION ARE RESERVED THIS IS AN ELECTRONICALLY GENERATED DOCUMENT - DO NOT SCALE THIS PRINT				RFP	CAD FILE EE9057BA-LE		SIZE	DRAWING NO.	PAGE OF	REV.
				DIST	WP	A		EE9057BA-LE		

