

PRODUCT INFORMATION PACKET



Model No: A4C17DJ73B
Catalog No: 102966.00
..3/4HP..1725RPM.S56.DP./277V.1PH.60HZ.CONT.40C.1.25SF.RESILIENT
BASE.A4C17DJ73B.....AUTOMATIC.....
Fan and Blower



Regal and Leeson are trademarks of Regal Beloit Corporation or one of its affiliated companies.
©2018 Regal Beloit Corporation, All Rights Reserved. MC017097E





Nameplate Specifications

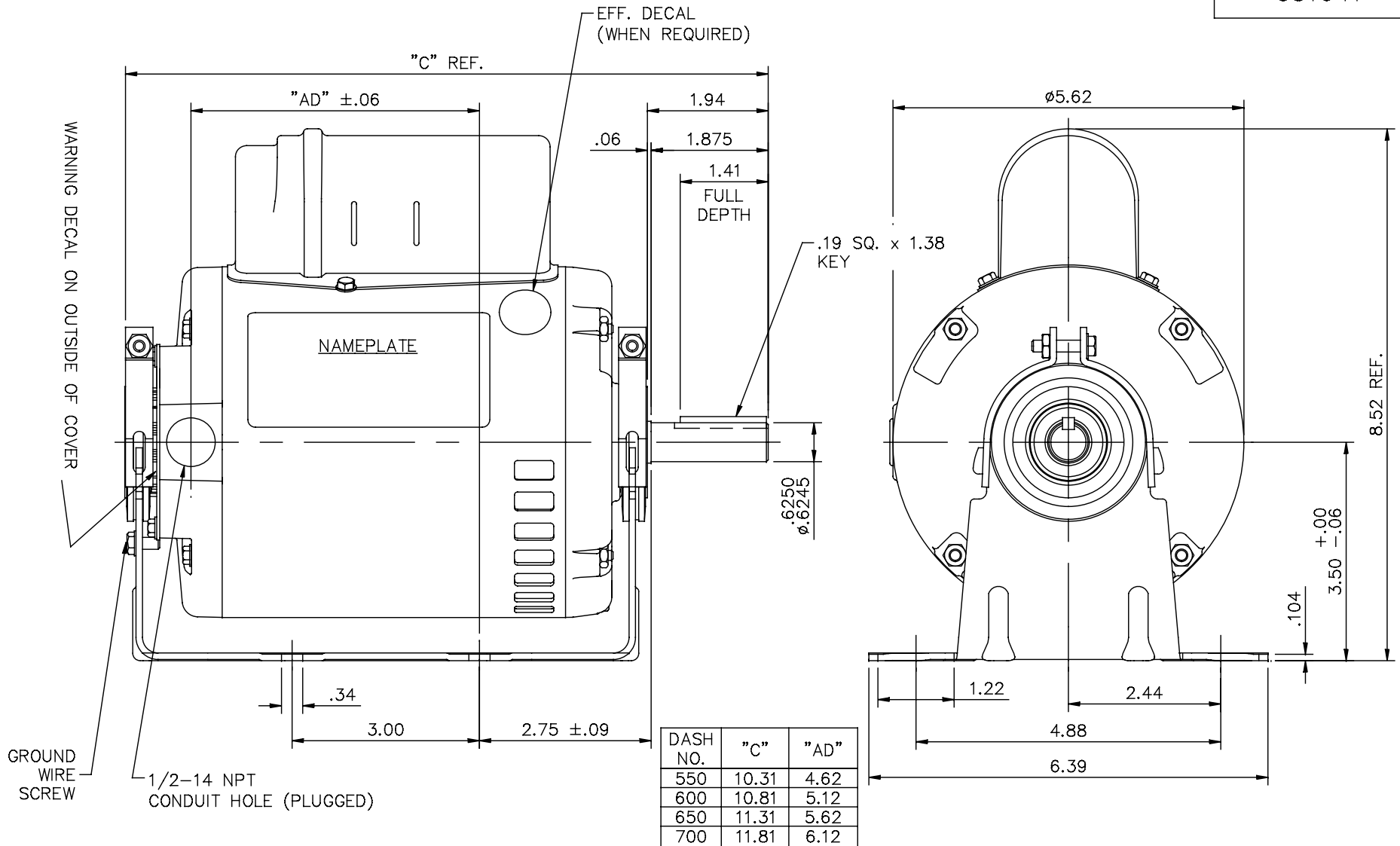
| | | | |
|----------------------------|-------------------|------------------------|-------------------|
| Output HP | 0.75 Hp | Output KW | 0.56 kW |
| Frequency | 60 Hz | Voltage | 277 V |
| Current | 4.5 A | Speed | 1725 rpm |
| Service Factor | 1.25 | Phase | 1 |
| Efficiency | 70 % | Duty | Continuous |
| Insulation Class | B | Design Code | N |
| KVA Code | K | Frame | S56H |
| Enclosure | Drip Proof | Overload Protector | Automatic |
| Ambient Temperature | 40 °C | Drive End Bearing Size | 6203 |
| Opp Drive End Bearing Size | 6203 | UL | Recognized |
| CSA | Y | CE | N |
| IP Code | 22 | | |

Technical Specifications

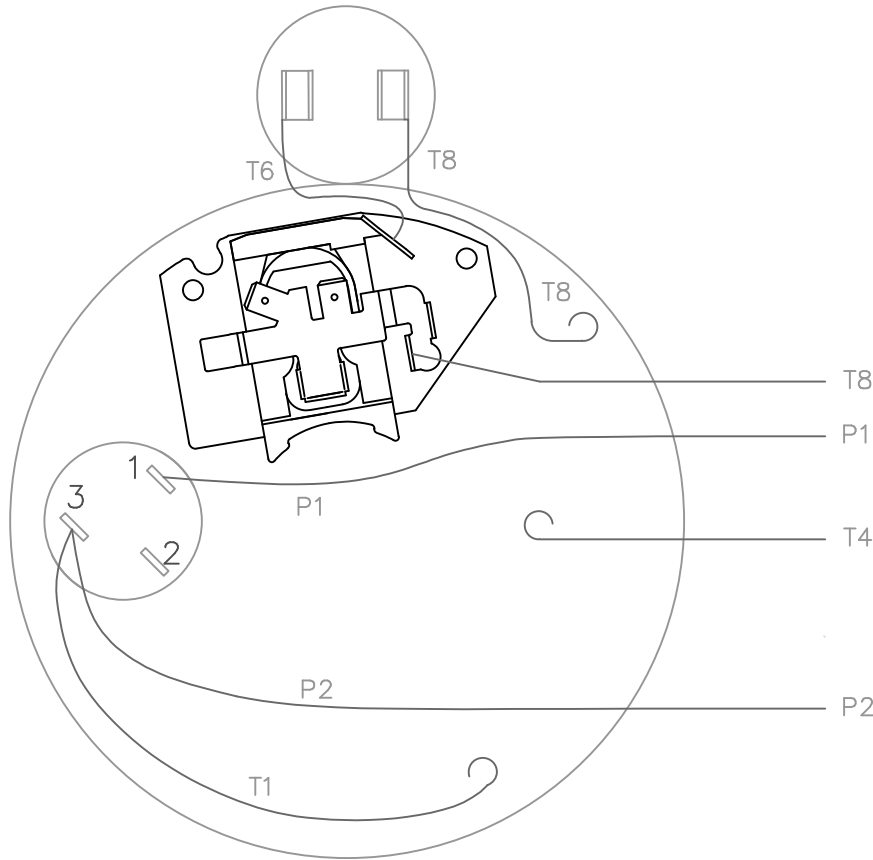
| | | | |
|-----------------------|--------------------------------------|-----------------------|-----------------------------------|
| Electrical Type | Capacitor Start Induction Run | Starting Method | Across The Line |
| Poles | 4 | Rotation | Selective Counterclockwise |
| Mounting | Resilient Base | Motor Orientation | HORIZONTAL |
| Drive End Bearing | BALL | Opp Drive End Bearing | BALL |
| Frame Material | Rolled Steel | Shaft Type | NEMA 56 |
| Overall Length | 11.81 in | Frame Length | 7.00 in |
| Shaft Diameter | 0.625 in | Shaft Extension | 1.88 in |
| Assembly/Box Mounting | F1 ONLY | | |
| Outline Drawing | 031641-700 | Connection Diagram | 005162.05 |

This is an uncontrolled document once printed or downloaded and is subject to change without notice. Date Created: 10/15/2018

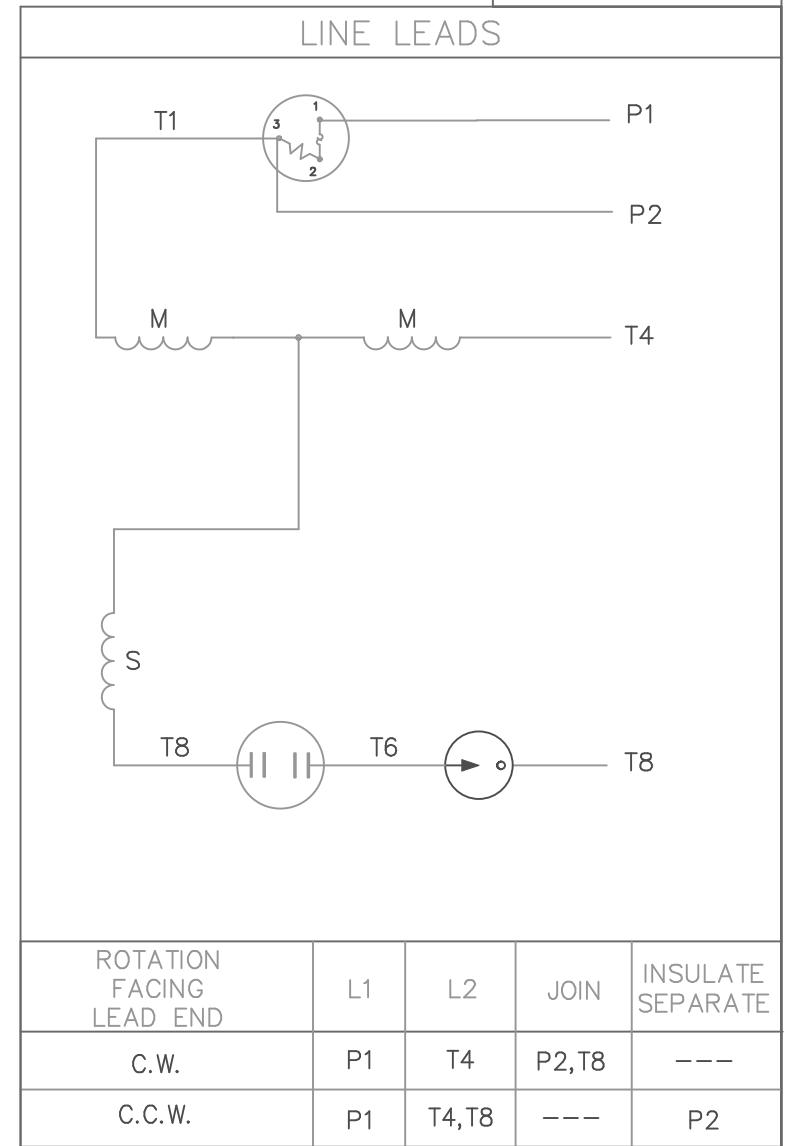
031641



| | | | | TOLERANCES UNLESS OTHERWISE SPECIFIED | | | LEESON ELECTRIC CORPORATION | | | | |
|--|--|--|--|---------------------------------------|----------|--------|------------------------------------|------------|--|--------|-------------|
| | | | | DEC. | INCHES | METRIC | | | | | |
| | | | | .X | ±.1 | ±2.5 | DRAWN | PG 7/25/01 | TITLE OUTLINE - S56 FRAME RESILIENT MOUNT - DRIP PROOF | | |
| A | | | | .XX | ±.03 | ±.76 | APPR. | | | | |
| UPDATED WITH GROUND SCREW, OUTSIDE COVER | | | | SL | 10/09/15 | JD | .XXX | | MAT'L 1 PHASE | | |
| & EFF DECAL | | | | | | | R.F.P. | | | | |
| NO. REVISION | | | | BY & DATE | CH'K'D. | .XXXX | ±.0005 | ±.0127 | SCALE | 1=2 | |
| THIS DRAWING IN DESIGN AND DETAIL IS OUR PROPERTY AND MUST NOT BE USED EXCEPT IN CONNECTION WITH OUR WORK ALL RIGHTS OF DESIGN AND INVENTION ARE RESERVED THIS IS AN ELECTRONICALLY GENERATED DOCUMENT - DO NOT SCALE THIS PRINT | | | | FRACTIONS | | ±1/64 | REF. | 030485 | FINISH | REV. | DRAWING NO. |
| | | | | ANGLES | | ±1/2° | FMF | | A | 031641 | |



VIEW FROM OUTSIDE OF MOTOR AT SWITCH END



| ROTATION FACING LEAD END | L1 | L2 | JOIN | INSULATE SEPARATE |
|--------------------------|----|-------|-------|-------------------|
| C.W. | P1 | T4 | P2,T8 | --- |
| C.C.W. | P1 | T4,T8 | --- | P2 |

| | | TOLERANCES UNLESS SPECIFIED | | LEESON ELECTRIC MOTORS GEARMOTORS AND DRIVES | | DRAWN PG 4/17/02 | |
|--|---|-----------------------------|---------|--|--------|------------------|-----------------------|
| | | DEC. | INCHES | TITLE | | CHK | |
| | | .X | ±.1 | EXTERNAL WIRING DIAGRAM TYPE "C" W/PROTECTOR | | APPD | |
| | | .XX | ±.01 | MAT'L. SINGLE VOLTAGE - DUAL ROTATION | | SCALE 5=8 | |
| | | .XXX | ±.005 | FINISH | | REF PAGE 1 | |
| 01 | REVERSED ROTATION DESIGNATION TO MATCH INT. | PFH | 6/25/03 | .XXXX | ±.0005 | FMF 101622.00 | |
| NO. | REVISION | BY & DATE | CHK | ANG | ±1/2' | PREV | |
| THIS DRAWING IN DESIGN AND DETAIL IS OUR PROPERTY AND MUST NOT BE USED EXCEPT IN CONNECTION WITH OUR WORK ALL RIGHTS OF DESIGN AND INVENTION ARE RESERVED THIS IS AN ELECTRONICALLY GENERATED DOCUMENT - DO NOT SCALE THIS PRINT | | RFP | | CAD FILE 00516205 | | SIZE A | DRAWING NO. 005162-05 |
| | | DIST | | | | | REV. 01 |

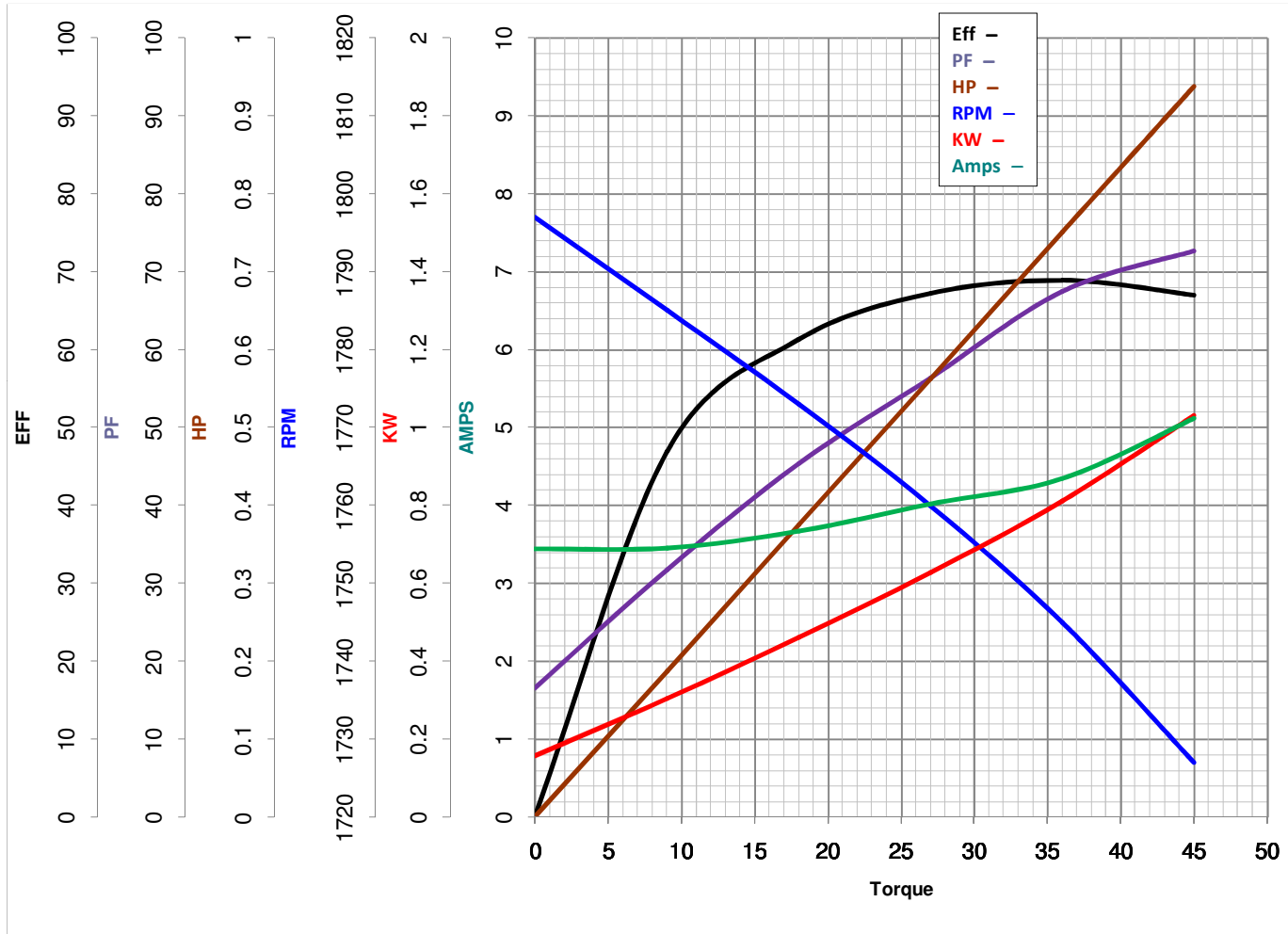


LEESON ELECTRIC CORPORATION
 TYPICAL PERFORMANCE CURVE for AC MOTOR

Model No 102966.00

Catalog No 102966.00

Curve at 277 Volts HP 0.76 PHASE 1
60 HZ
0.75 HP VOLTS 277
 HZ 60 RPM 1725



Torque in Oz.Ft

FL TORQUE 36 Oz.Ft
 BD TORQUE 83.5 Oz.Ft
 LR TORQUE 114 Oz.Ft

FL AMPS 4.5
 PU TORQUE 82.5 Oz.Ft
 LR AMPS 22.6

WINDING CE484207-4

Date 3/27/2018