

# PRODUCT INFORMATION PACKET



Model No: A4C17DJ74B  
Catalog No: 102965.00  
..1/2HP..1725RPM.S56.DP./277V.1PH.60HZ.CONT.40C.1.25SF.RESILIENT  
BASE.A4C17DJ74B...AUTOMATIC.....  
Fan and Blower



Regal and Leeson are trademarks of Regal Beloit Corporation or one of its affiliated companies.

©2018 Regal Beloit Corporation, All Rights Reserved. MC017097E





### Nameplate Specifications

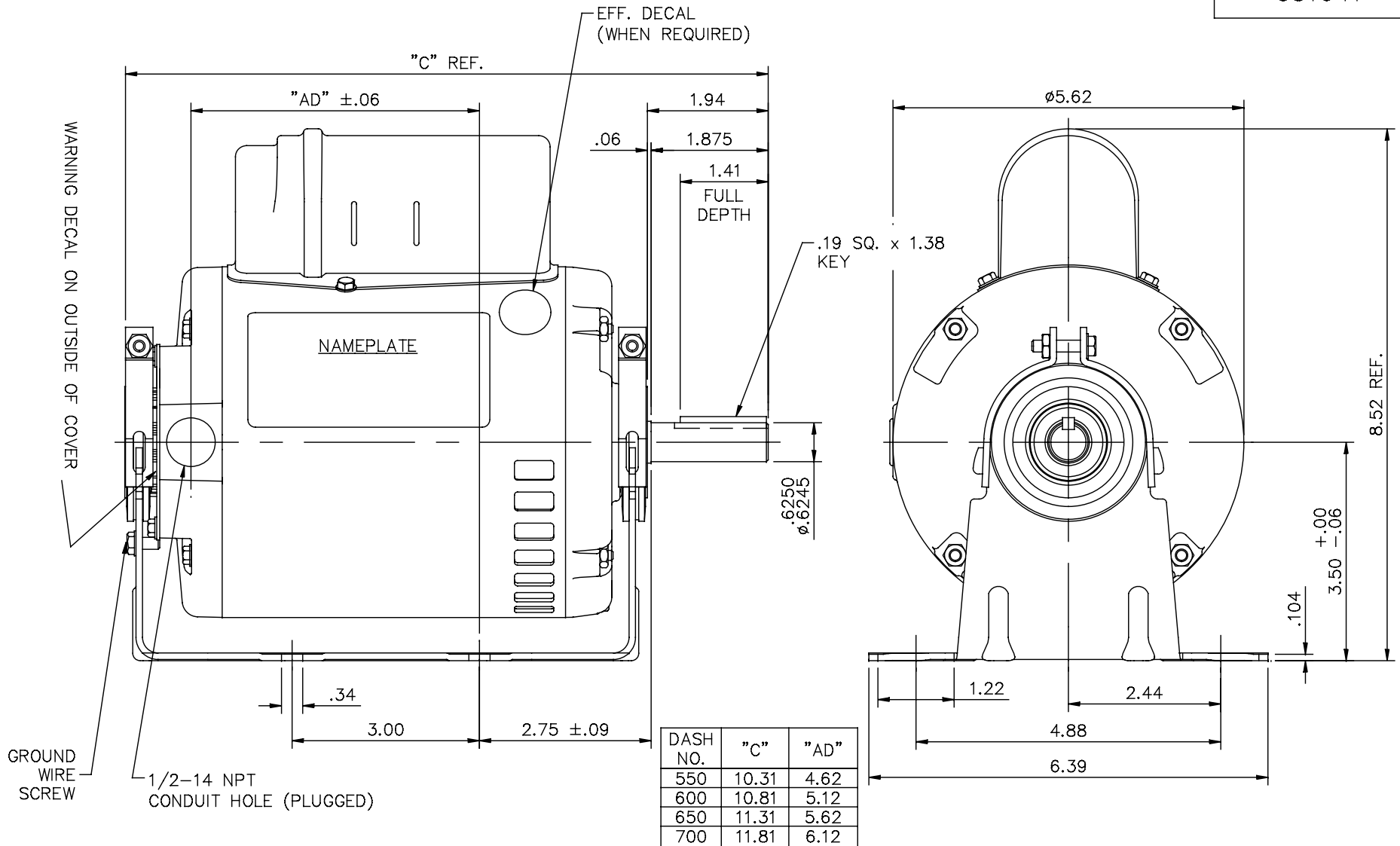
Output HP	<b>0.50 Hp</b>	Output KW	<b>0.37 kW</b>
Frequency	<b>60 Hz</b>	Voltage	<b>277 V</b>
Current	<b>3.7 A</b>	Speed	<b>1725 rpm</b>
Service Factor	<b>1.25</b>	Phase	<b>1</b>
Efficiency	<b>62 %</b>	Duty	<b>Continuous</b>
Insulation Class	<b>B</b>	Design Code	<b>N</b>
KVA Code	<b>K</b>	Frame	<b>S56</b>
Enclosure	<b>Drip Proof</b>	Overload Protector	<b>Automatic</b>
Ambient Temperature	<b>40 °C</b>	Drive End Bearing Size	<b>6203</b>
Opp Drive End Bearing Size	<b>6203</b>	UL	<b>Recognized</b>
CSA	<b>Y</b>	CE	<b>N</b>
IP Code	<b>22</b>		

### Technical Specifications

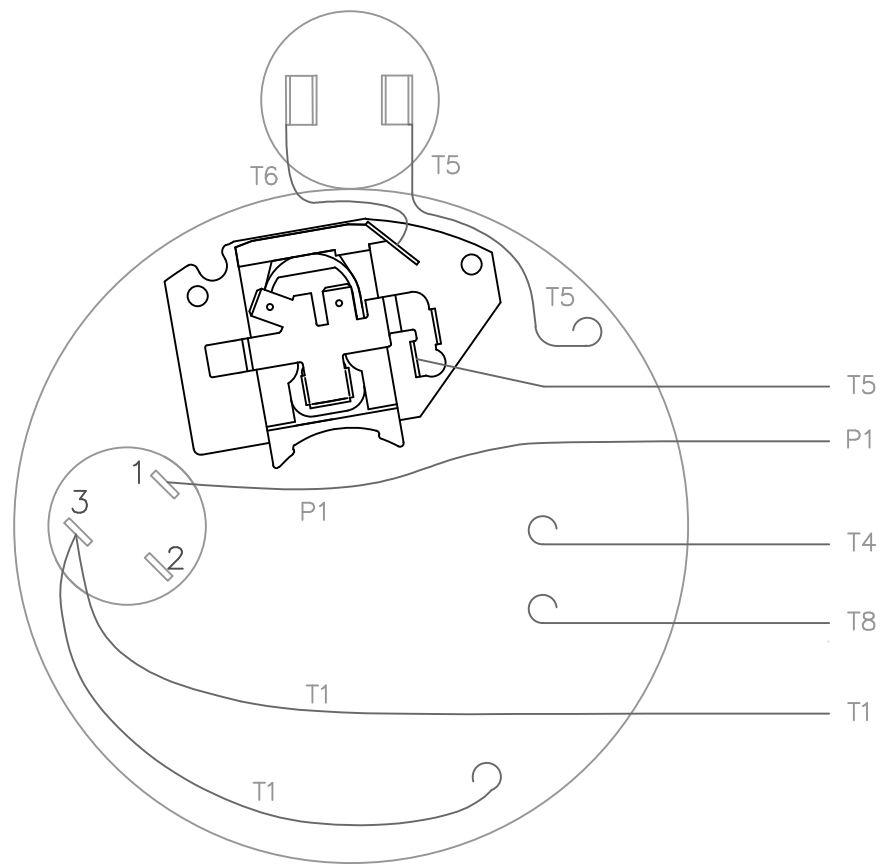
Electrical Type	<b>Capacitor Start Induction Run</b>	Starting Method	<b>Across The Line</b>
Poles	<b>4</b>	Rotation	<b>Selective Counterclockwise</b>
Mounting	<b>Resilient Base</b>	Motor Orientation	<b>HORIZONTAL</b>
Drive End Bearing	<b>BALL</b>	Opp Drive End Bearing	<b>BALL</b>
Frame Material	<b>Rolled Steel</b>	Shaft Type	<b>NEMA 56</b>
Overall Length	<b>10.81 in</b>	Frame Length	<b>6.00 in</b>
Shaft Diameter	<b>0.625 in</b>	Shaft Extension	<b>1.88 in</b>
Assembly/Box Mounting	<b>F1 ONLY</b>		
Outline Drawing	<b>031641-600</b>	Connection Diagram	<b>005028.21</b>

**This is an uncontrolled document once printed or downloaded and is subject to change without notice. Date Created: 10/15/2018**

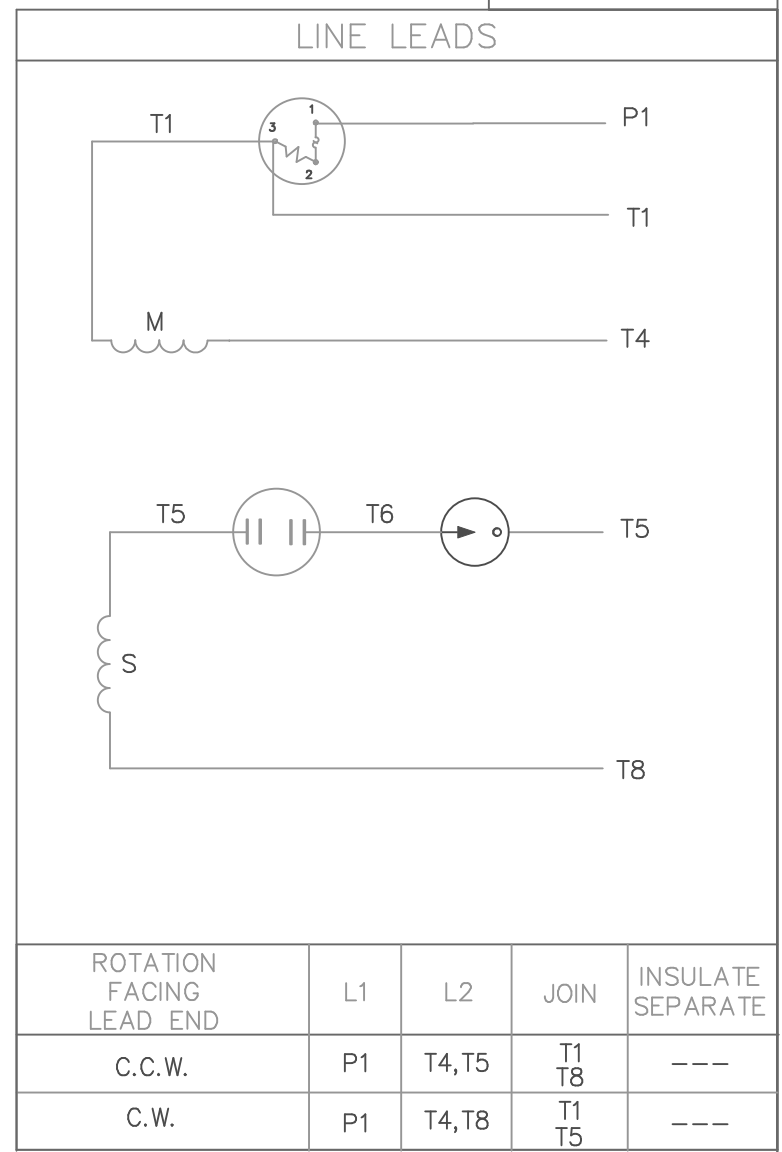
031641



				TOLERANCES UNLESS OTHERWISE SPECIFIED			<b>LEESON</b> ELECTRIC CORPORATION		
				DEC.	INCHES	METRIC			
A	UPDATED WITH GROUND SCREW, OUTSIDE COVER & EFF DECAL	SL	10/09/15	JD	.XX	±.03	±.76	APPR.	OUTLINE - S56 FRAME RESILIENT MOUNT - DRIP PROOF
					.XXX	±.005	±.127	R.F.P.	MAT'L
NO.	REVISION	BY & DATE	CH'K'D.		.XXXX	±.0005	±.0127	SCALE	1=2
THIS DRAWING IN DESIGN AND DETAIL IS OUR PROPERTY AND MUST NOT BE USED EXCEPT IN CONNECTION WITH OUR WORK ALL RIGHTS OF DESIGN AND INVENTION ARE RESERVED THIS IS AN ELECTRONICALLY GENERATED DOCUMENT - DO NOT SCALE THIS PRINT				FRACTIONS	±1/64	REF.	030485	FINISH	REV.
				ANGLES	±1/2°	FMF			DRAWING NO.
								A	031641



VIEW FROM OUTSIDE OF MOTOR AT SWITCH END



				TOLERANCES UNLESS OTHERWISE SPECIFIED			<b>LEESON</b> ELECTRIC CORPORATION				
				DEC.	INCHES	METRIC	DRAWN	PG 10/1/01	TITLE		
				.X	±.1	±2.5	APPR.		EXTERNAL WIRING DIAGRAM TYPE "C" W/PROTECTOR MAT'L. SINGLE VOLTAGE - DUAL ROTATION DECAL - 004015		
				.XX	±.01	±.25	R.F.P.				
				.XXX	±.005	±.127	SCALE	5=8			
NO.	REVISION	BY & DATE	CH'K'D.	.XXXX	±.0005	±.0127	REF.	PAGE 1	FINISH	REV.	DRAWING NO.
THIS DRAWING IN DESIGN AND DETAIL IS OUR PROPERTY AND MUST NOT BE USED EXCEPT IN CONNECTION WITH OUR WORK ALL RIGHTS OF DESIGN AND INVENTION ARE RESERVED THIS IS AN ELECTRONICALLY GENERATED DOCUMENT - DO NOT SCALE THIS PRINT				FRACTIONS	±1/64		FMF	101621			005028-21
				ANGLES	±1/2"						

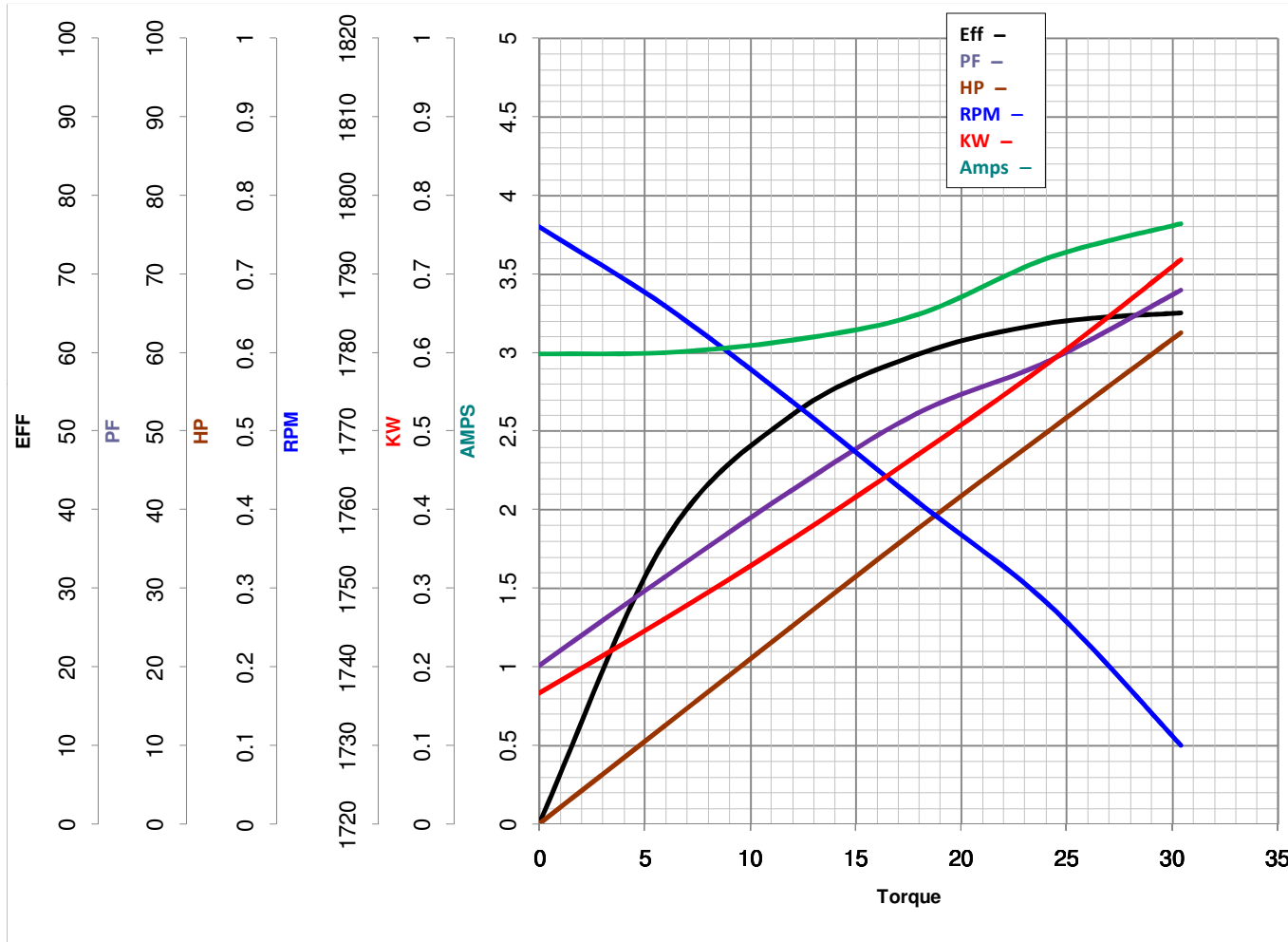


**LEESON ELECTRIC CORPORATION**  
TYPICAL PERFORMANCE CURVE for AC MOTOR

Model No 102965.00

Catalog No 102965.00

Curve at 277 Volts      HP 0.50      PHASE 1  
60 HZ  
0.5 HP      VOLTS 277  
HZ 60      RPM 1725



Torque in Oz.Ft

FL TORQUE 24.1 Oz.Ft  
 BD TORQUE 61.3 Oz.Ft  
 LR TORQUE 0 Oz.Ft

FL AMPS 3.7  
 PU TORQUE 58.1 Oz.Ft  
 LR AMPS 16.6

WINDING CE484206-4

Date 3/27/2018