

PRODUCT INFORMATION PACKET



Model No: A4C17DJ72B

Catalog No: 102964.00

1/3HP..1725RPM.48.DP./277V.1PH.60HZ.CONT.AUTOMATIC.40C.1.35SF.RESILIENT BASE.GENERAL PURPOSE.A4C17DJ72B

Fan and Blower



Regal and Leeson are trademarks of Regal Beloit Corporation or one of its affiliated companies.

©2018 Regal Beloit Corporation, All Rights Reserved. MC017097E





Nameplate Specifications

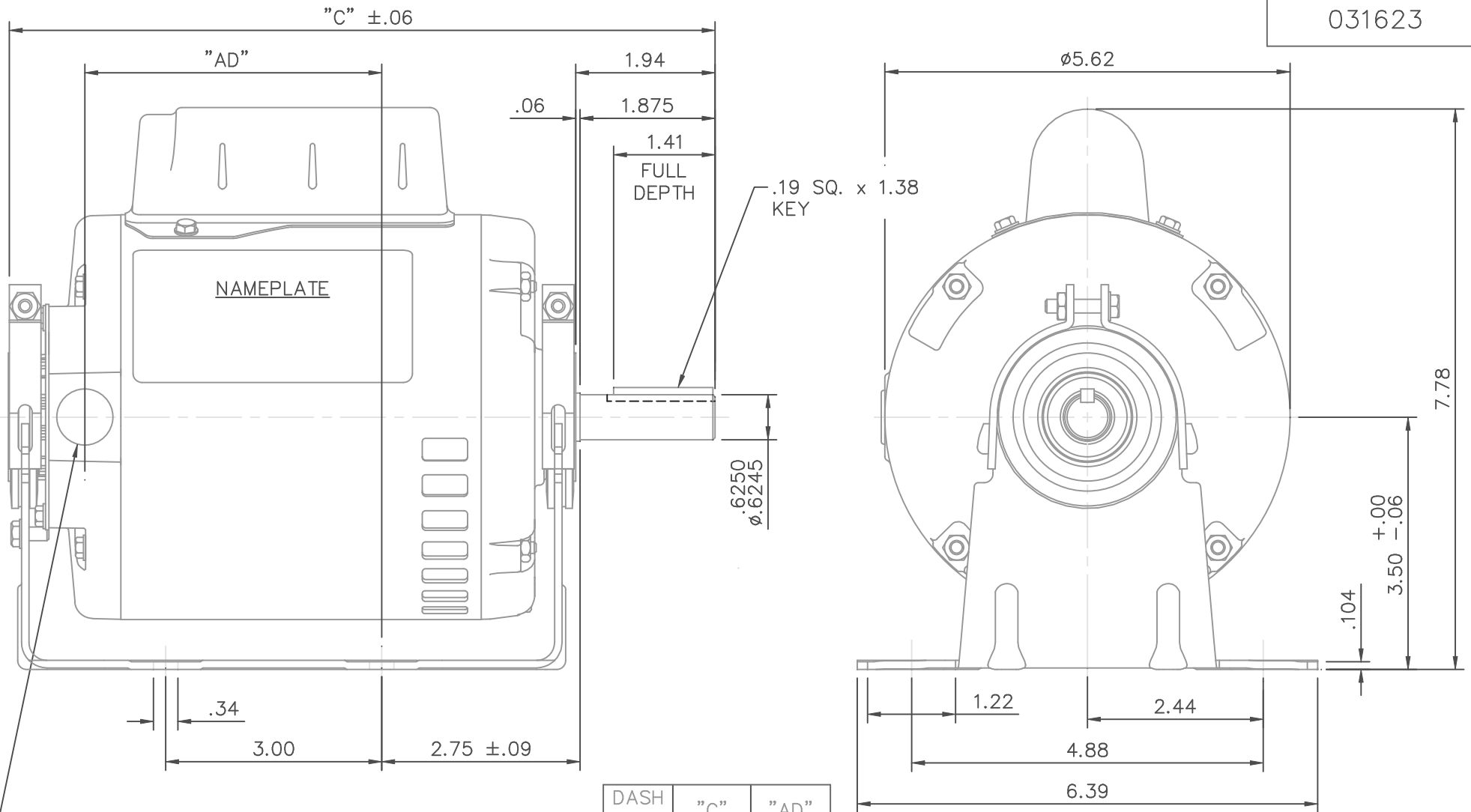
Output HP	0.33 Hp	Output KW	0.25 kW
Frequency	60 Hz	Voltage	277 V
Current	2.8 A	Speed	1725 rpm
Service Factor	1.35	Phase	1
Efficiency	61 %	Duty	Continuous
Insulation Class	B	Design Code	N
KVA Code	L	Frame	S56
Enclosure	Drip Proof	Overload Protector	Automatic
Ambient Temperature	40 °C	Drive End Bearing Size	6203
Opp Drive End Bearing Size	6203	UL	Recognized
CSA	Y	CE	N
IP Code	22		

Technical Specifications

Electrical Type	Capacitor Start Induction Run	Starting Method	Across The Line
Poles	4	Rotation	Selective Counterclockwise
Mounting	Resilient Base	Motor Orientation	HORIZONTAL
Drive End Bearing	BALL	Opp Drive End Bearing	BALL
Frame Material	Rolled Steel	Shaft Type	NEMA 56
Overall Length	10.31 in	Frame Length	5.50 in
Shaft Diameter	0.625 in	Shaft Extension	1.88 in
Assembly/Box Mounting	F1 ONLY		
Outline Drawing	031623-550	Connection Diagram	005028.21

This is an uncontrolled document once printed or downloaded and is subject to change without notice. Date Created: 10/15/2018

031623



DASH NO.	"C"	"AD"
500	9.81	4.12
550	10.31	4.62
600	10.81	5.12
650	11.31	5.62

1/2-14 NPT
CONDUIT HOLE
(PLUGGED)

TOLERANCES UNLESS OTHERWISE SPECIFIED

DEC.	INCHES	METRIC
.X	±.1	±2.5
.XX	±.03	±.76
.XXX	±.005	±.127
NO.	REVISION	BY & DATE
CH'K'D.	.XXXX	±.0005 ±.0127

LEESON ELECTRIC CORPORATION

DRAWN PG 5/24/01

TITLE
OUTLINE - S56 FRAME
RESILIENT MOUNT - DRIP PROOF

APPR.

R.F.P.

MAT'L.
1 PHASE

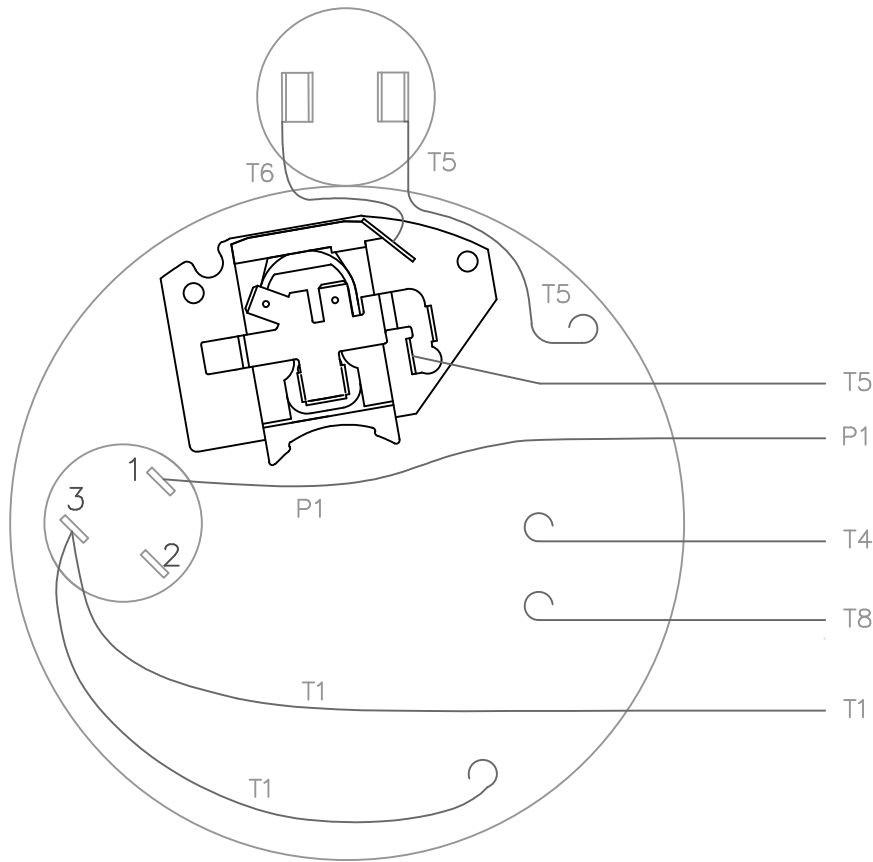
SCALE 1=2

THIS DRAWING IN DESIGN AND DETAIL IS OUR PROPERTY AND MUST NOT BE USED EXCEPT IN CONNECTION WITH OUR WORK ALL RIGHTS OF DESIGN AND INVENTION ARE RESERVED THIS IS AN ELECTRONICALLY GENERATED DOCUMENT - DO NOT SCALE THIS PRINT

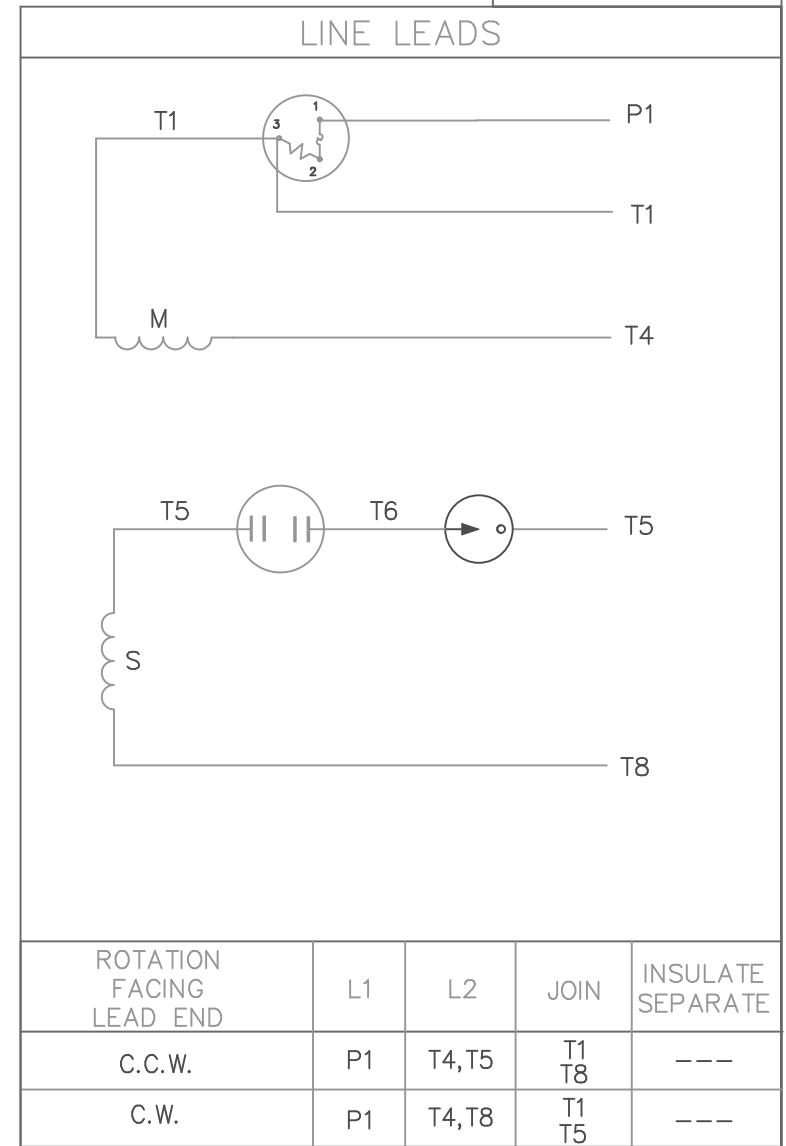
FRACTIONS	±1/64
ANGLES	±1/2°

REF. 030485
FMF 101611

FINISH
REV.
DRAWING NO.
031623



VIEW FROM OUTSIDE OF MOTOR AT SWITCH END



				TOLERANCES UNLESS OTHERWISE SPECIFIED			LEESON ELECTRIC CORPORATION				
				DEC.	INCHES	METRIC	DRAWN	PG 10/1/01	TITLE		
				.X	±.1	±2.5	APPR.		EXTERNAL WIRING DIAGRAM TYPE "C" W/PROTECTOR MAT'L. SINGLE VOLTAGE - DUAL ROTATION DECAL - 004015		
				.XX	±.01	±.25	R.F.P.				
				.XXX	±.005	±.127	SCALE	5=8			
NO.	REVISION	BY & DATE	CH'K'D.	.XXXX	±.0005	±.0127	REF.	PAGE 1	FINISH	REV.	DRAWING NO.
THIS DRAWING IN DESIGN AND DETAIL IS OUR PROPERTY AND MUST NOT BE USED EXCEPT IN CONNECTION WITH OUR WORK ALL RIGHTS OF DESIGN AND INVENTION ARE RESERVED THIS IS AN ELECTRONICALLY GENERATED DOCUMENT - DO NOT SCALE THIS PRINT				FRACTIONS	±1/64		FMF	101621			005028-21
				ANGLES	±1/2°						

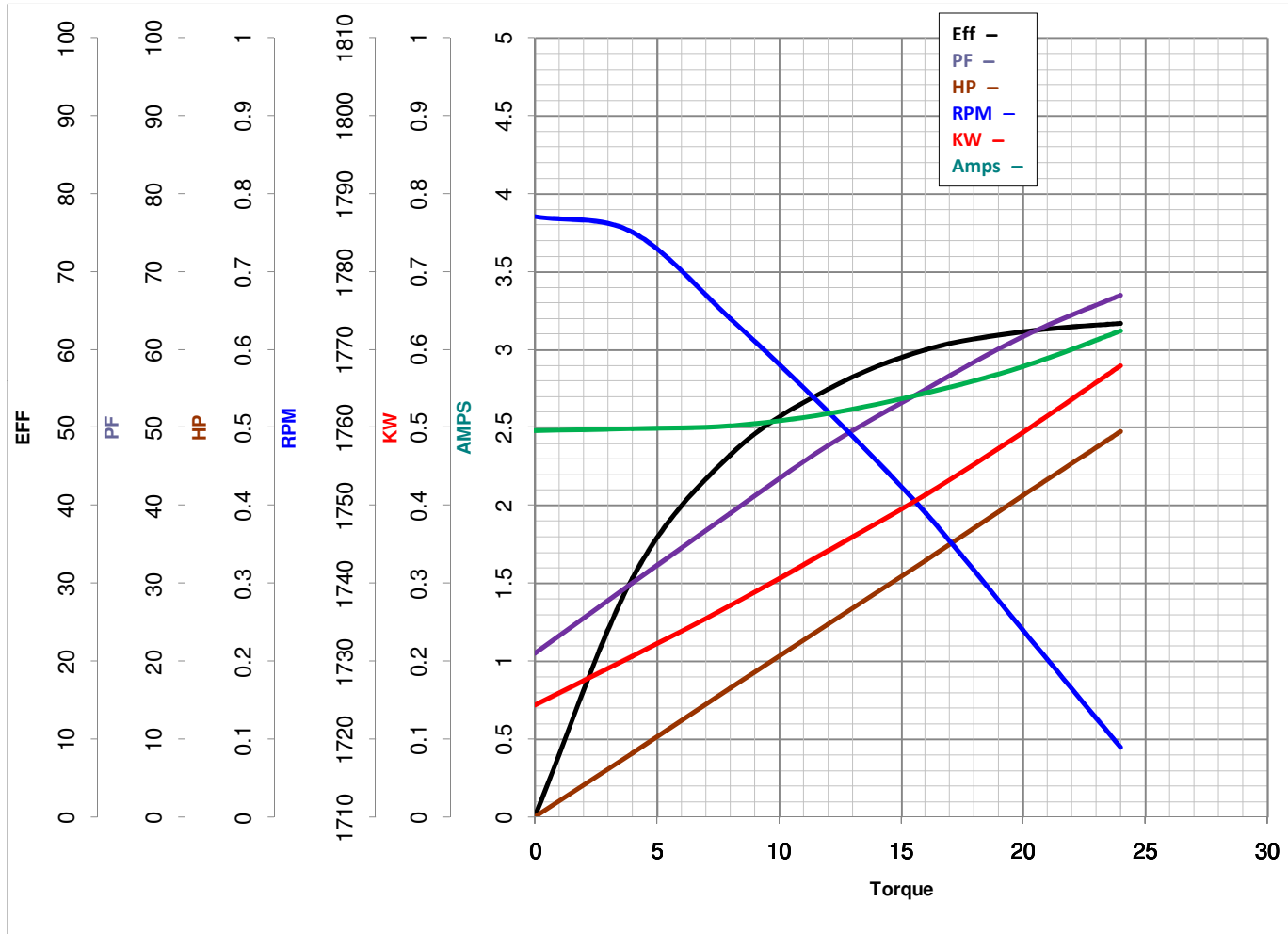


LEESON ELECTRIC CORPORATION
TYPICAL PERFORMANCE CURVE for AC MOTOR

Model No 102964.00

Catalog No 102964.00

Curve at 277 Volts HP 0.34 PHASE 1
60 HZ
0.33 HP VOLTS 277
HZ 60 RPM 1725



Torque in Oz.Ft

FL TORQUE 16 Oz.Ft
 BD TORQUE 38.0 Oz.Ft
 LR TORQUE 51.1 Oz.Ft

FL AMPS 2.8
 PU TORQUE 35.7 Oz.Ft
 LR AMPS 11.6

WINDING CE484205-4

Date 4/11/2018