

PRODUCT INFORMATION PACKET



Model No: A4C17DR47B

Catalog No: 102963.00

1/4HP..1725RPM.48.DP./277V.1PH.60HZ.CONT.AUTOMATIC.40C.1.35SF.RESILIENT BASE.GENERAL PURPOSE.A4C17DR47B

Fan and Blower



Regal and Leeson are trademarks of Regal Beloit Corporation or one of its affiliated companies.

©2018 Regal Beloit Corporation, All Rights Reserved. MC017097E





Nameplate Specifications

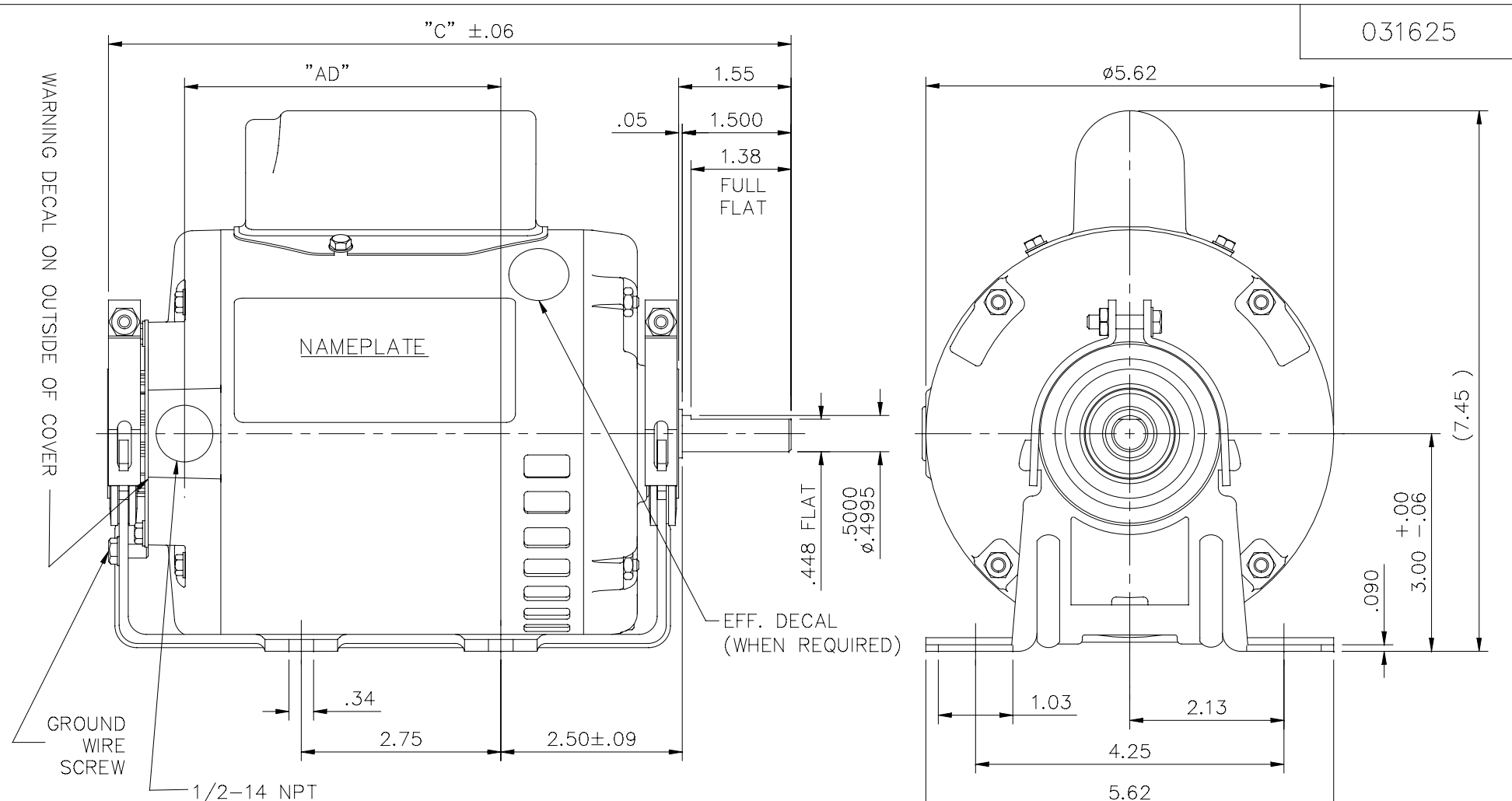
Output HP	0.25 Hp	Output KW	0.19 kW
Frequency	60 Hz	Voltage	277 V
Current	2.2 A	Speed	1725 rpm
Service Factor	1.35	Phase	1
Efficiency	59 %	Duty	Continuous
Insulation Class	B	Design Code	N
KVA Code	M	Frame	48
Enclosure	Drip Proof	Overload Protector	Automatic
Ambient Temperature	40 °C	Drive End Bearing Size	6203
Opp Drive End Bearing Size	6203	UL	Recognized
CSA	Y	CE	N
IP Code	22		

Technical Specifications

Electrical Type	Capacitor Start Induction Run	Starting Method	Across The Line
Poles	4	Rotation	Selective Counterclockwise
Mounting	Resilient Base	Motor Orientation	HORIZONTAL
Drive End Bearing	BALL	Opp Drive End Bearing	BALL
Frame Material	Rolled Steel	Shaft Type	NEMA 48
Overall Length	9.89 in	Frame Length	5.50 in
Shaft Diameter	0.500 in	Shaft Extension	1.5 in
Assembly/Box Mounting	F1 ONLY		
Outline Drawing	031625-550	Connection Diagram	005028.21

This is an uncontrolled document once printed or downloaded and is subject to change without notice. Date Created: 10/15/2018

031625



DASH NO.	"C"	"AD"
500	9.39	4.34
550	9.89	4.84
600	10.39	5.34
650	10.89	5.84

TOLERANCES UNLESS OTHERWISE SPECIFIED

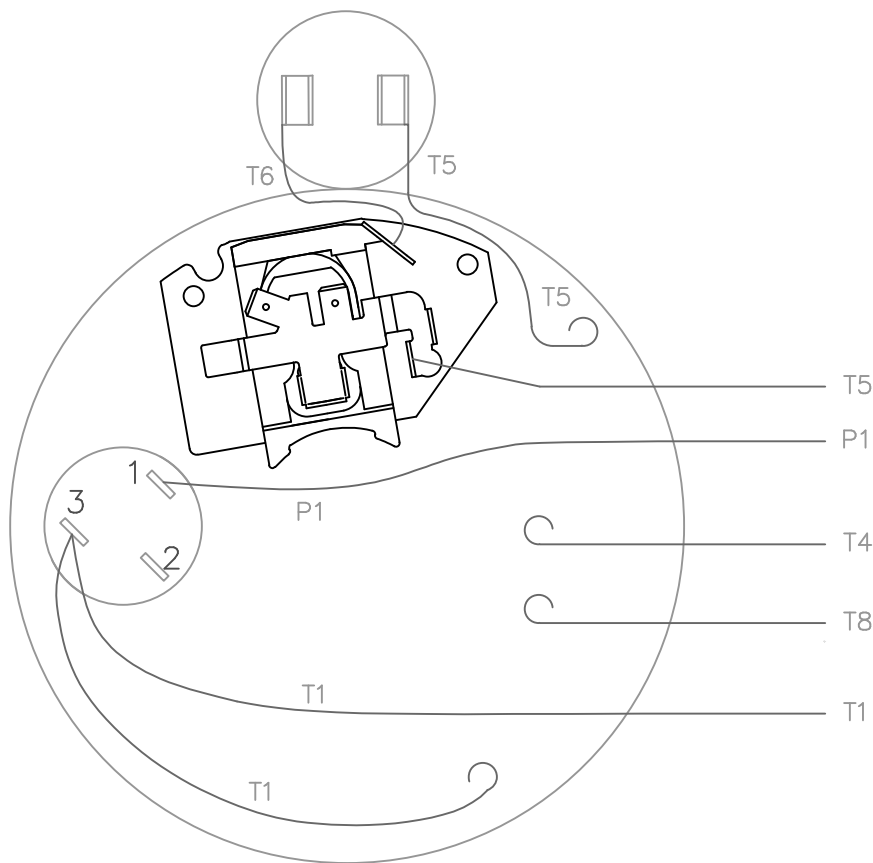
DEC.	INCHES	METRIC
.X	$\pm .1$	± 2.5
.XX	$\pm .03$	$\pm .76$
.XXX	$\pm .005$	$\pm .127$
.XXXX	$\pm .0005$	$\pm .0127$

LEESON ELECTRIC CORPORATION

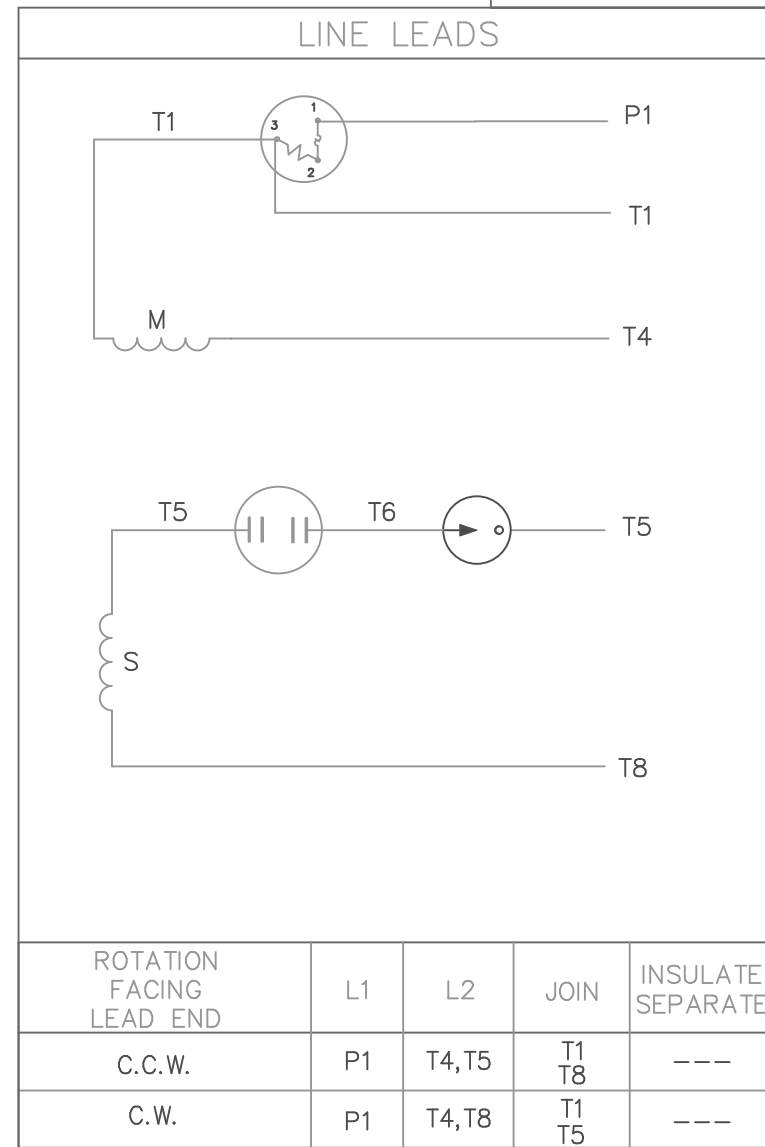
NO.	REVISION	BY & DATE	CH'K'D.	FRACTIONS	ANGLES
A	UPDATED WITH CAP BOX, EFF, OUTSIDE COVER & GROUND SCREW DECALS	SL 10/13/15	JD	$\pm 1/64$	$\pm 1/2'$

TITLE	MAT'L.	SCALE	REF.	FINISH	REV.	DRAWING NO.
OUTLINE - 48 FRAME RESILIENT MOUNT - DRIP PROOF	1 PHASE	1=2	030005 101015		A	031625

THIS DRAWING IN DESIGN AND DETAIL IS OUR PROPERTY AND MUST NOT BE USED EXCEPT IN CONNECTION WITH OUR WORK ALL RIGHTS OF DESIGN AND INVENTION ARE RESERVED THIS IS AN ELECTRONICALLY GENERATED DOCUMENT - DO NOT SCALE THIS PRINT



VIEW FROM OUTSIDE OF MOTOR AT SWITCH END



				TOLERANCES UNLESS OTHERWISE SPECIFIED			LEESON ELECTRIC CORPORATION					
				DEC.	INCHES	METRIC	DRAWN PG 10/1/01		TITLE			
				.X	±.1	±2.5	APPR.		EXTERNAL WIRING DIAGRAM TYPE "C" W/PROTECTOR			
				.XX	±.01	±.25	R.F.P.		MAT'L. SINGLE VOLTAGE - DUAL ROTATION DECAL - 004015			
NO.	REVISION	BY & DATE	CH'K'D.	.XXX	±.005	±.127	SCALE 5=8		FINISH			
THIS DRAWING IN DESIGN AND DETAIL IS OUR PROPERTY AND MUST NOT BE USED EXCEPT IN CONNECTION WITH OUR WORK ALL RIGHTS OF DESIGN AND INVENTION ARE RESERVED THIS IS AN ELECTRONICALLY GENERATED DOCUMENT - DO NOT SCALE THIS PRINT				FRACTIONS	±1/64		REF. PAGE 1		REV.		DRAWING NO.	
				ANGLES	±1/2"		FMF 101621		005028-21			