

PRODUCT INFORMATION PACKET



Model No: C4T17NK3A

Catalog No: 102921.00

..1/3HP..1725RPM.S56C.TENV.208-230/460V.3PH.60HZ.CONT.40C.1.15SF.RIGID.C4T17NK3A.....WP 56 to 48 Repl 110911.NOT.....

Totally Enclosed Non-Ventilated (TENV)



Regal and Leeson are trademarks of Regal Beloit Corporation or one of its affiliated companies.

©2018 Regal Beloit Corporation, All Rights Reserved. MC017097E





Nameplate Specifications

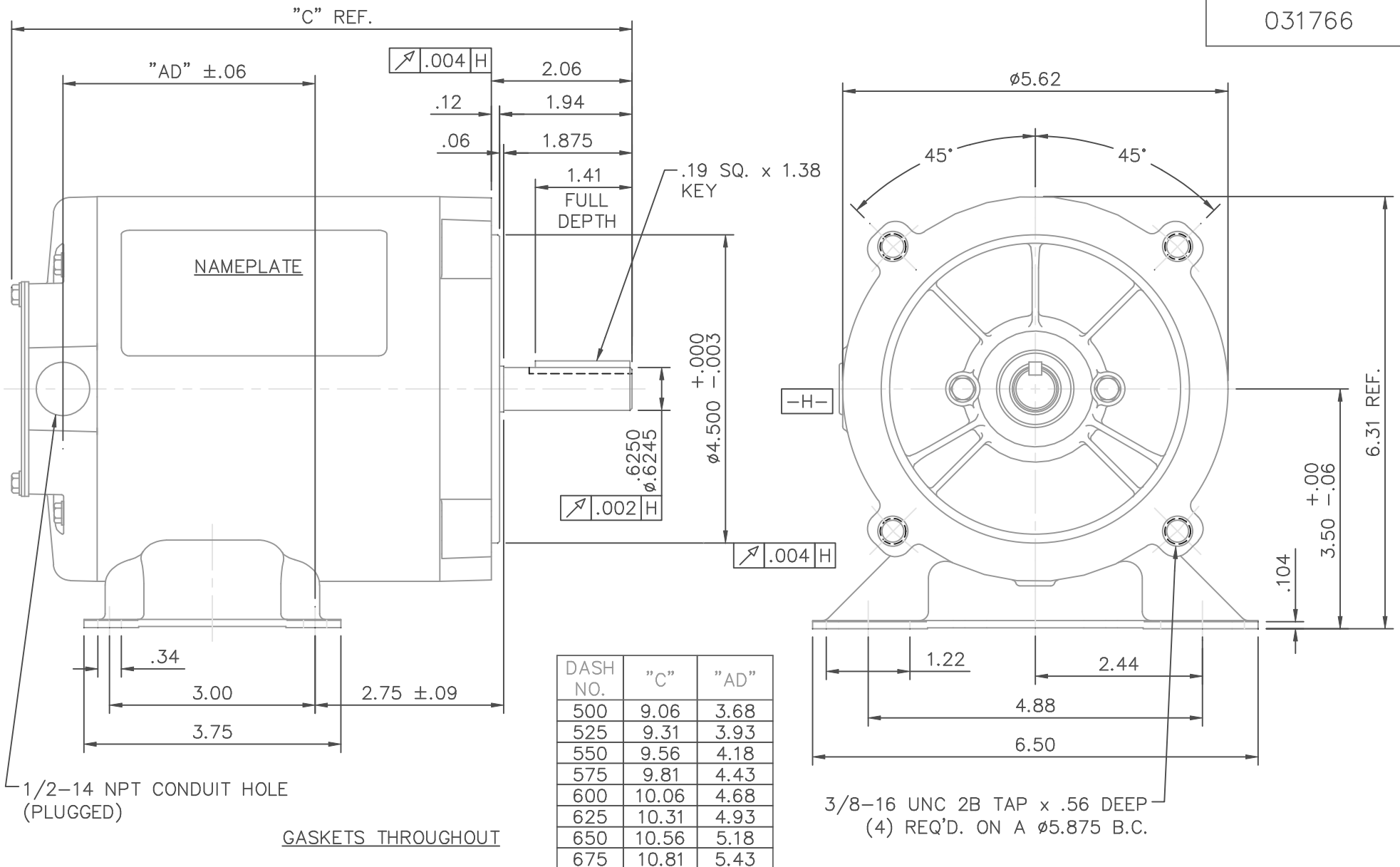
Output HP	0.33 Hp	Output KW	0.25 kW
Frequency	60 Hz	Voltage	208-230/460 V
Current	1.3-1.3/0.65 A	Speed	1725 rpm
Service Factor	1.15	Phase	3
Efficiency	77 %	Duty	Continuous
Insulation Class	B	Design Code	B
KVA Code	M	Frame	S56C
Enclosure	Totally Enclosed Non Ventilated	Overload Protector	No
Ambient Temperature	40 °C	Drive End Bearing Size	6203
Opp Drive End Bearing Size	6203	UL	Recognized
CSA	Y	CE	Y
IP Code	43		

Technical Specifications

Electrical Type	Squirrel Cage Induction Run	Starting Method	Across The Line
Poles	4	Rotation	Reversible
Mounting	Rigid base	Motor Orientation	HORIZONTAL
Drive End Bearing	BALL	Opp Drive End Bearing	BALL
Frame Material	Rolled Steel	Shaft Type	T
Overall Length	9.56 in	Frame Length	5.50 in
Shaft Diameter	0.625 in	Shaft Extension	1.88 in
Assembly/Box Mounting	F1 ONLY		
Outline Drawing	031766-550	Connection Diagram	005010.01

This is an uncontrolled document once printed or downloaded and is subject to change without notice. Date Created: 10/15/2018

031766



TOLERANCES UNLESS SPECIFIED

DEC. INCHES

.X ±.1

.XX ±.03

.XXX ±.005

.XXXX ±.0005

ANG ±1/2°



ELECTRIC MOTORS
GEARMOTORS
AND DRIVES

TITLE
OUTLINE - S56C FRAME
RIGID "C" FACE - TENV

MAT'L.
3 PHASE

FINISH

DRAWN PG 3/30/04

CHK

APPD

SCALE 1=2

REF 031629

FMF 102919.00

PREV

NO.

REVISION

BY & DATE

CHK

ANG

RFP

DIST

CAD FILE

031766

SIZE

A

DRAWING NO.

031766

REV.

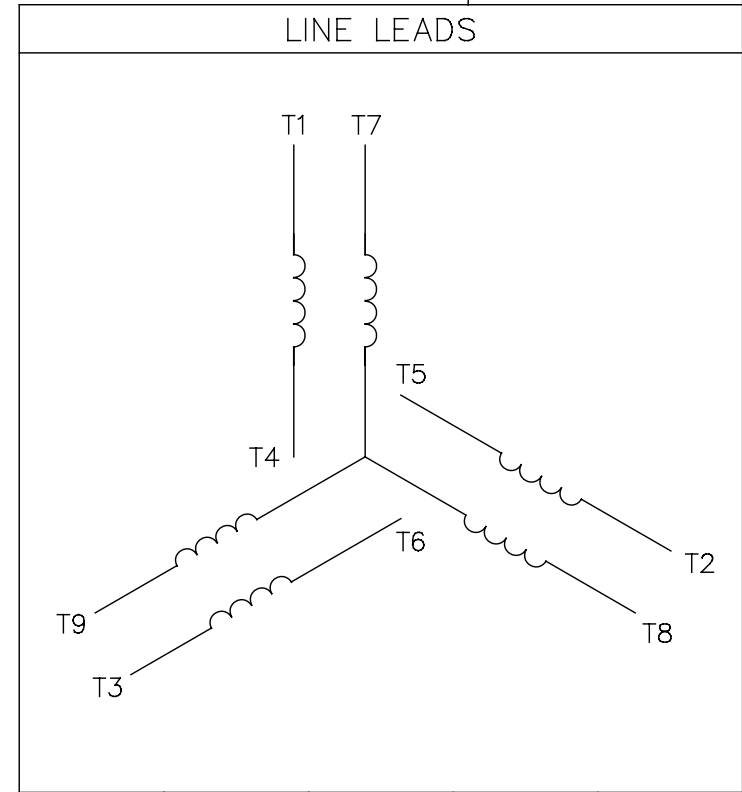
THIS DRAWING IN DESIGN AND DETAIL IS OUR PROPERTY AND MUST NOT BE USED EXCEPT IN CONNECTION WITH OUR WORK ALL RIGHTS OF DESIGN AND INVENTION ARE RESERVED THIS IS AN ELECTRONICALLY GENERATED DOCUMENT - DO NOT SCALE THIS PRINT

9/26/2008 1:23:41 PM

Dealers Industrial Equipment -- Visit <https://DealersElectric.com> or call (908) 688-1966 for all of your electric motor & VFD needs!

005010-01

VIEW FROM OUTSIDE OF MOTOR AT SWITCH END.



VOLTAGE	L1	L2	L3	JOIN & INSULATE
HIGH	T1	T2	T3	(T4,T7) (T5,T8) (T6,T9)
LOW	T1,T7	T2,T8	T3,T9	T4,T5,T6

				TOLERANCES UNLESS SPECIFIED		Regal Beloit America, Inc.		DRAWN RDW 04/12/02			
				DEC.	INCHES			CHK			
				.X	±.1			APPD			
				.XX	±.01			SCALE 1=1			
				.XXX	±.005	TITLE		REF FIG.2-51			
A	UPDATED TO REGAL LOGO		SAJ 06/26/15	AJY	.XXXX ±.0005	MAT'L.		FMF			
NO.	REVISION		BY & DATE	CHK	ANG ±1/2"	FINISH		PREV			
THIS DRAWING IN DESIGN AND DETAIL IS OUR PROPERTY AND MUST NOT BE USED EXCEPT IN CONNECTION WITH OUR WORK ALL RIGHTS OF DESIGN AND INVENTION ARE RESERVED THIS IS AN ELECTRONICALLY GENERATED DOCUMENT - DO NOT SCALE THIS PRINT				RFP	04/12/02	CAD FILE		00501001	SIZE	DRAWING NO.	REV.
						DIST	BRF-NLV			A	005010-01



P.O. BOX 8003
WAUSAU, WI 54401-8003
PH. 715-675-3311

DATA VOLTS: 460

CERTIFICATION DATA SHEET

CONN. DIAGRAM: 005010.01
OUTLINE: 031766-550
WINDING: TE48462

CAT #: 102921.00

NR 3

TYPICAL MOTOR PERFORMANCE DATA

HP	KW	SYNC RPM	FL RPM	FRAME	ENCLOSURE	TYPE	KVA CODE	DESIGN	
0.33	0.25	1800	1750	S56C	TENV	TTR	M	B	
PH	HZ	VOLTS	AMPS	START TYPE	DUTY	INSL	S.F.	AMB	ELEV.
3	60/50	208-230/460#190/380	1.3-1.3/65&1.4/0.7	ACROSS THE LINE	CONT	B	1.15	40	3300
F.L. EFF	F.L. PF	235.1	3/4 LD EFF	202.0	1/2 LD EFF	92.1	GTD EFF	0.0	ELECT. TYPE
		59.9	3/4 LD PF	50.2	1/2 LD PF	38.7			SO CAGE IND RUN
F.L. TORQUE		LR AMPS @ 460 V	L.R. TORQUE		B.D. TORQUE		F.L. RISE (°C)		
258 LB-FT		4.6	1,270 LB-FT	492%	1,460 LB-FT	566%	0		
PRESSURE @3	POWER	ROTOR WK²	MAX. LOAD WK²	SAFE STALL TIME	STARTS/HOUR	MOTOR WGT			
60 DBA	69 DBA	0.04 LB-FT²	0 LB-FT²	10 SEC.	0	0 LB.			

*** SUPPLEMENTAL INFORMATION ***

DE BRACKET TYPE	ODE BRACKET TYPE	MOUNT TYPE	MOTOR ORIENTATION	SEVERE DUTY	HAZARDOUS LOCATION	DRIIP COVER	SCREENS	PAINT
C-FACE	STANDARD	RIGID	HORIZONTAL	NO	NONE	NO	NONE	JE-LEESON/ENAM
BEARINGS	GREASE	SHAFT TYPE	SPECIAL DE	SPECIAL ODE	SHAFT MATERIAL	FRAME MATERIAL		
DE ODE	BALL	POLYREX EM	T	NONE	1144 STRESSPROOF (C-223)	ROLLED STEEL		
6203	6203							
THERMOSTATS	PROTECTORS	WDG RTD's	BRG RTD's	THERMISTORS	CONTROL	SPACE HEATERS		
NONE	NOT	NONE	NONE	NONE	FALSE	NA		
R1 (ohms/ph)	R2 (ohms/ph)	X1 (ohms/ph)	X2 (ohms/ph)	Xm (ohms/ph)	VIBRATION (in/sec)	FLOAT ODE		
0	0	0	0	0	0.080			

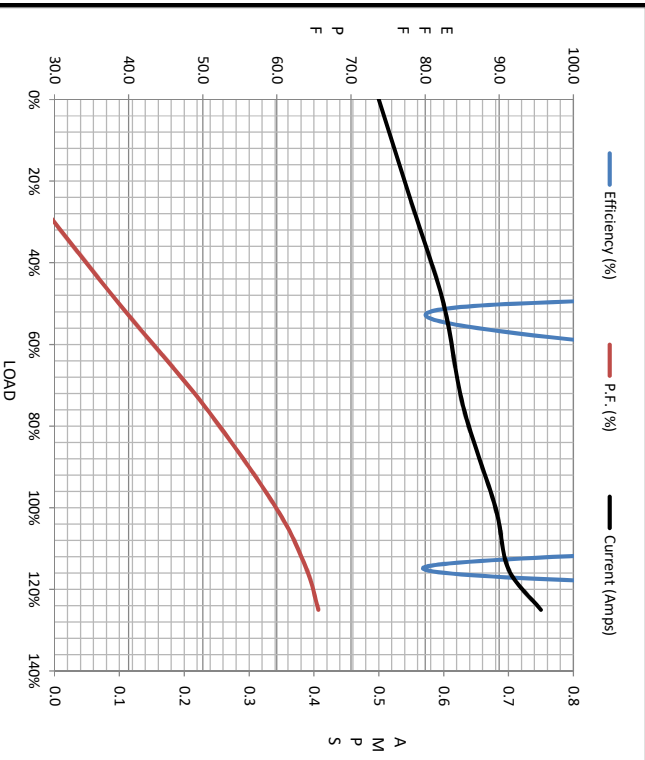
* NOT TESTED		INVERTER TORQUE: NONE
		INV. HP SPEED RANGE: NONE
		ENCODER: NONE
		NONE
		BRAKE: NONE
		NONE
		FT-LB: NA
		NONE
		VOLTAGE: NONE
		NONE
		UL: Y-(LEESON UL REC)

DATE:	1/18/2018	HZ:	
-------	-----------	-----	--



Motor Load Data						LR		
Load	0%	25%	50%	75%	100%	115%	125%	
Current (Amps)	0.50	0.55	0.60	0.63	0.68	0.70	0.75	4.6
Torque (ft-lb)	0.00	64.6	129	194	258	297	323	1,270
RPM	1800	1787	1778	1763	1750	1,743	1,737	0
Efficiency (%)		886.9	92.1	202.0	235.1	79.8	258.8	
P.F. (%)	15.1	27.8	38.7	50.2	59.9	64.0	65.6	0.0

Motor Speed Data					Information Block																											
Speed (RPM)	LR	Pull-Up	BD	Rated	Idle	HP	Sync. RPM	Frame	Enclosure	Construction	Voltage	Frequency	Design	LR Code letter	Service Factor	Temp Rise @ FL	Duty	Ambient	Elevation	Rotor/Shaft wk ²	Ref Wdg	Sound Pressure @ 1M	VFD Rating	Outline Dwg	Conn. Diag	Additional Specifications:	R1	R2	X1	X2	Xm	
	0	900	1656	1750	1800	0.3	1800	48	TENV	TTR	208-230/460#190/380	60	B	M	1.15	0	CONT	40	1,000	0.04	TE48482 NR	60	dB(A)	NONE	031766-550	005010.01						
Current (Amps)	4.6	4.3	2.78	0.68	0.50																											
Torque (ft-lb)	1,270	1,233	1,460	258	0.00																											



EQUIV CKT (OHMS / PHASE)				
R1	R2	X1	X2	Xm
0.0000	0.0000	0.0000	0.0000	0.0000

