

# PRODUCT INFORMATION PACKET



Model No: A4C17FH29B

Catalog No: 102908.00

1/2HP..1725RPM.S56.TEFC.115/208-230V.1PH.60HZ.CONT.40C.1.15SF.RIGID.A4C17FH29B.....WP 56 to 48 Repl 110016.AUTOMATIC.....

Totally Enclosed Fan Cooled (TEFC)



Regal and Leeson are trademarks of Regal Beloit Corporation or one of its affiliated companies.

©2018 Regal Beloit Corporation, All Rights Reserved. MC017097E





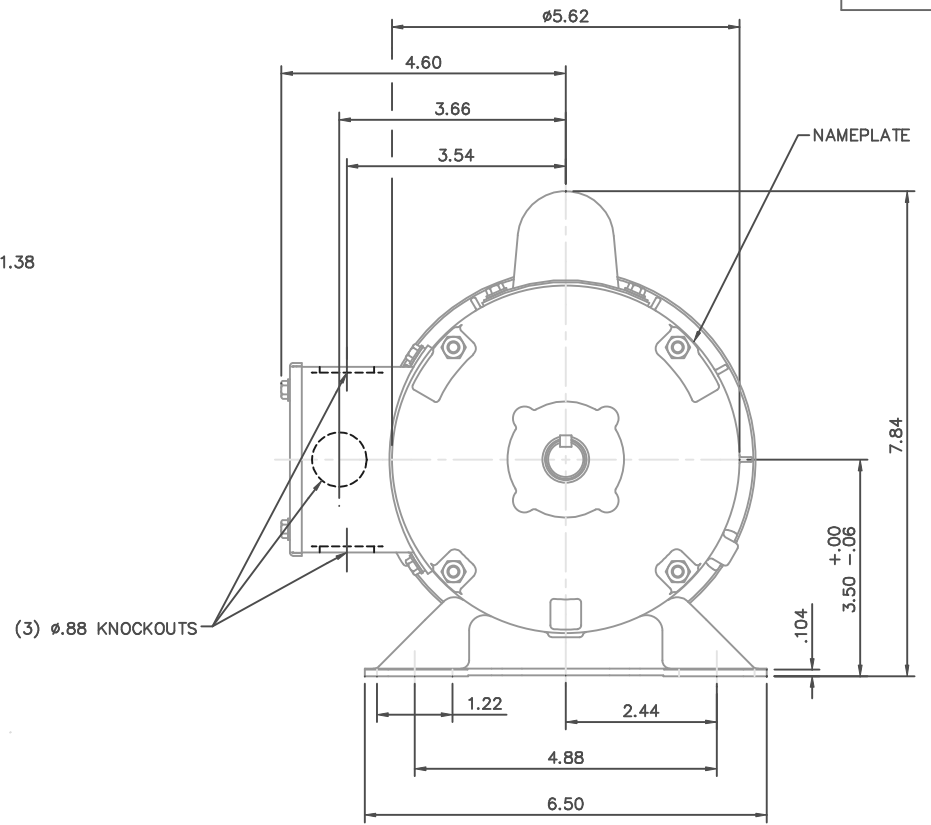
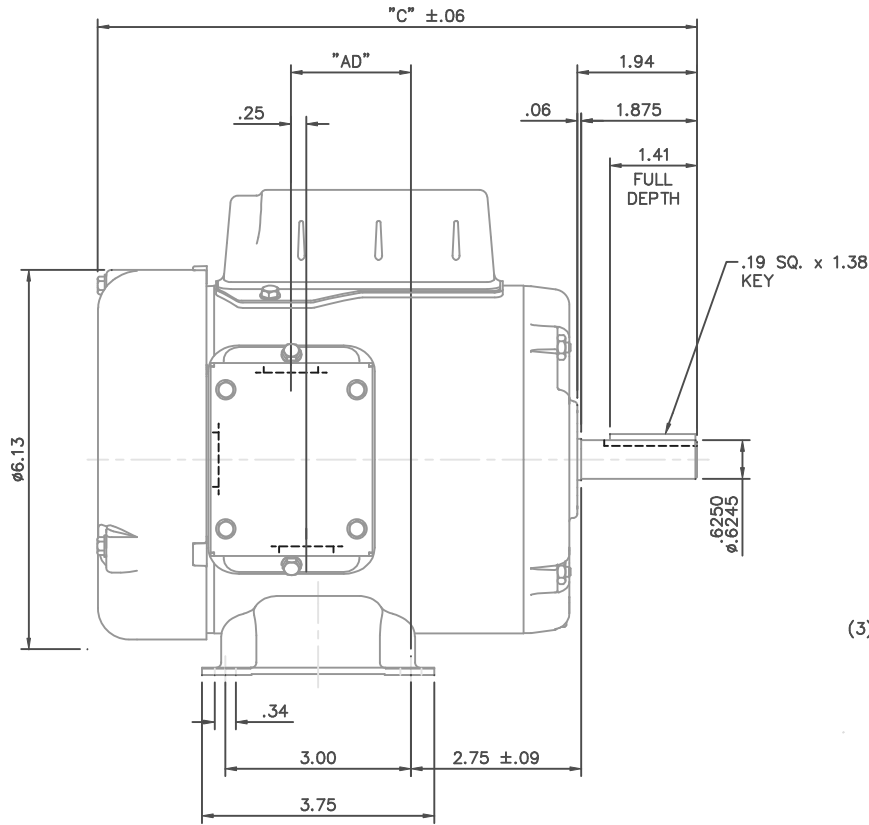
### Nameplate Specifications

|                            |                                    |                        |                      |
|----------------------------|------------------------------------|------------------------|----------------------|
| Output HP                  | <b>0.50 Hp</b>                     | Output KW              | <b>0.37 kW</b>       |
| Frequency                  | <b>60 Hz</b>                       | Voltage                | <b>115/208-230 V</b> |
| Current                    | <b>8.0/3.8-4.0 A</b>               | Speed                  | <b>1725 rpm</b>      |
| Service Factor             | <b>1.15</b>                        | Phase                  | <b>1</b>             |
| Efficiency                 | <b>66 %</b>                        | Duty                   | <b>Continuous</b>    |
| Insulation Class           | <b>F</b>                           | Design Code            | <b>O</b>             |
| KVA Code                   | <b>L</b>                           | Frame                  | <b>S56</b>           |
| Enclosure                  | <b>Totally Enclosed Fan Cooled</b> | Overload Protector     | <b>Automatic</b>     |
| Ambient Temperature        | <b>40 °C</b>                       | Drive End Bearing Size | <b>6203</b>          |
| Opp Drive End Bearing Size | <b>6203</b>                        | UL                     | <b>Recognized</b>    |
| CSA                        | <b>Y</b>                           | CE                     | <b>N</b>             |
| IP Code                    | <b>43</b>                          |                        |                      |

### Technical Specifications

|                       |                                      |                       |                                   |
|-----------------------|--------------------------------------|-----------------------|-----------------------------------|
| Electrical Type       | <b>Capacitor Start Induction Run</b> | Starting Method       | <b>Across The Line</b>            |
| Poles                 | <b>4</b>                             | Rotation              | <b>Selective Counterclockwise</b> |
| Mounting              | <b>Rigid base</b>                    | Motor Orientation     | <b>HORIZONTAL</b>                 |
| Drive End Bearing     | <b>BALL</b>                          | Opp Drive End Bearing | <b>BALL</b>                       |
| Frame Material        | <b>Rolled Steel</b>                  | Shaft Type            | <b>T</b>                          |
| Overall Length        | <b>10.69 in</b>                      | Frame Length          | <b>6.00 in</b>                    |
| Shaft Diameter        | <b>0.625 in</b>                      | Shaft Extension       | <b>1.88 in</b>                    |
| Assembly/Box Mounting | <b>F1 ONLY</b>                       |                       |                                   |
| Outline Drawing       | <b>031631-600</b>                    | Connection Diagram    | <b>005003.52</b>                  |

**This is an uncontrolled document once printed or downloaded and is subject to change without notice. Date Created: 10/15/2018**

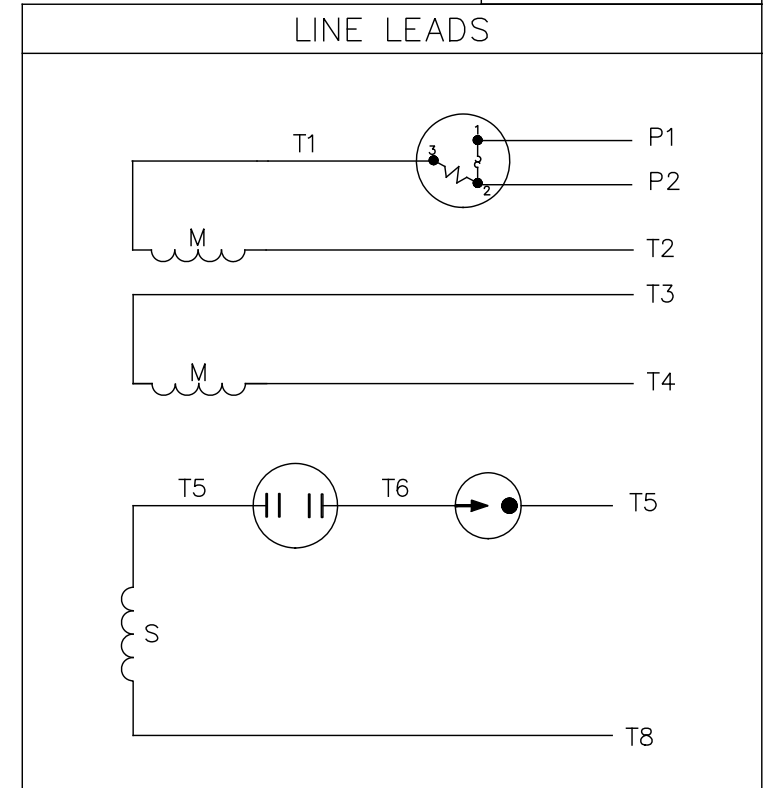


| DASH NO. | "C"   | "AD" |
|----------|-------|------|
| 500      | 9.69  | 1.94 |
| 525      | 9.94  | 2.19 |
| 550      | 10.19 | 2.44 |
| 575      | 10.44 | 2.69 |
| 600      | 10.69 | 2.94 |
| 625      | 10.94 | 3.19 |
| 650      | 11.19 | 3.44 |
| 675      | 11.44 | 3.69 |


GASKETS THROUGHOUT

|     |          |           |         |   |        |                                    |           |         |                     |       |             |
|-----|----------|-----------|---------|---|--------|------------------------------------|-----------|---------|---------------------|-------|-------------|
|     |          |           |         | TOLERANCES UNLESS OTHERWISE SPECIFIED   |        | <b>LEESON</b> ELECTRIC CORPORATION |           |         |                     |       |             |
|     |          |           |         | DEC.  | INCHES |                                    |           |         | METRIC              | DRAWN | PG 5/30/01  |
|     |          |           |         | .X  | ±.1    | ±2.5                               | APPR.     | TITLE   | OUTLINE - S56 FRAME |       |             |
|     |          |           |         | .XX   | ±.03   | ±.76                               | R.F.P.    | MAT'L   | RIGID MOUNT - TEFC  |       |             |
|     |          |           |         | .XXX  | ±.005  | ±.127                              | SCALE     | 1 PHASE |                     |       |             |
|     |          |           |         | .XXXX   | ±.0005 | ±.0127                             | 1=2       |         |                     |       |             |
| NO. | REVISION | BY & DATE | CH'K'D. | THIS DRAWING IN DESIGN AND DETAIL IS OUR PROPERTY AND MUST NOT BE USED EXCEPT IN CONNECTION WITH OUR WORK. ALL RIGHTS OF DESIGN AND INVENTION ARE RESERVED. THIS IS AN ELECTRONICALLY GENERATED DOCUMENT - DO NOT SCALE THIS PRINT. |        |                                    | FRACTIONS | REF.    | FINISH              | REV.  | DRAWING NO. |
|     |          |           |         |   |        |                                    | ±1/64     | 030391  |                     |       | 031631      |
|     |          |           |         |   |        |                                    | ANGLES    | 101078  |                     |       |             |
|     |          |           |         |   |        |                                    | ±1/2"     |         |                     |       |             |

VIEW FROM OUTSIDE OF MOTOR AT SWITCH END.



|           | ROTATION FACING LEAD END | L1 | L2           | JOIN         | INSULATE SEPARATELY |
|-----------|--------------------------|----|--------------|--------------|---------------------|
| HIGH VOLT | C.C.W.                   | P1 | T4<br>T5     | T2, T3<br>T8 | P2                  |
|           | C.W.                     | P1 | T4<br>T8     | T2, T3<br>T5 | P2                  |
| LOW VOLT  | C.C.W.                   | P1 | T2, T4<br>T5 | P2, T3<br>T8 | --                  |
|           | C.W.                     | P1 | T2, T4<br>T8 | P2, T3<br>T5 | --                  |

|  |                                      |                             |          |   |              |                 |      |             |      |
|--|--------------------------------------|-----------------------------|----------|---|--------------|-----------------|------|-------------|------|
|  |                                      | TOLERANCES UNLESS SPECIFIED |          |  <b>Regal Beloit America, Inc.</b> |              | DRAWN PG 6/8/01 |      |             |      |
|  |                                      | DEC.                        | INCHES   |   |              | CHK             |      |             |      |
|  |                                      | .X                          | ±.1      |   |              | APPD            |      |             |      |
|  |                                      | .XX                         | ±.01     | TITLE   |              | SCALE 1=1       |      |             |      |
| 02   | CHANGED CAMPANY LOGO ONLY            | AS                          | 11/08/16 | .XXX  | ±.005        | REF 005003-01   |      |             |      |
| 01   | MOVED T5 TO "INSIDE" SWITCH TERMINAL | PG                          | 8/2/01   | CD  | .XXXX ±.0005 | FMF 100002      |      |             |      |
| NO.  | REVISION                             | BY & DATE                   | CHK      | ANG   | ±1/2"        | PREV            |      |             |      |
| THIS DRAWING IN DESIGN AND DETAIL IS OUR PROPERTY AND MUST NOT BE USED EXCEPT IN CONNECTION WITH OUR WORK ALL RIGHTS OF DESIGN AND INVENTION ARE RESERVED THIS IS AN ELECTRONICALLY GENERATED DOCUMENT - DO NOT SCALE THIS PRINT |                                      |                             |          | RFP   | CAD FILE     | 00500352        | SIZE | DRAWING NO. | REV. |
|  |                                      |                             |          | DIST  |              |                 | A    | 005003-52   | 02   |



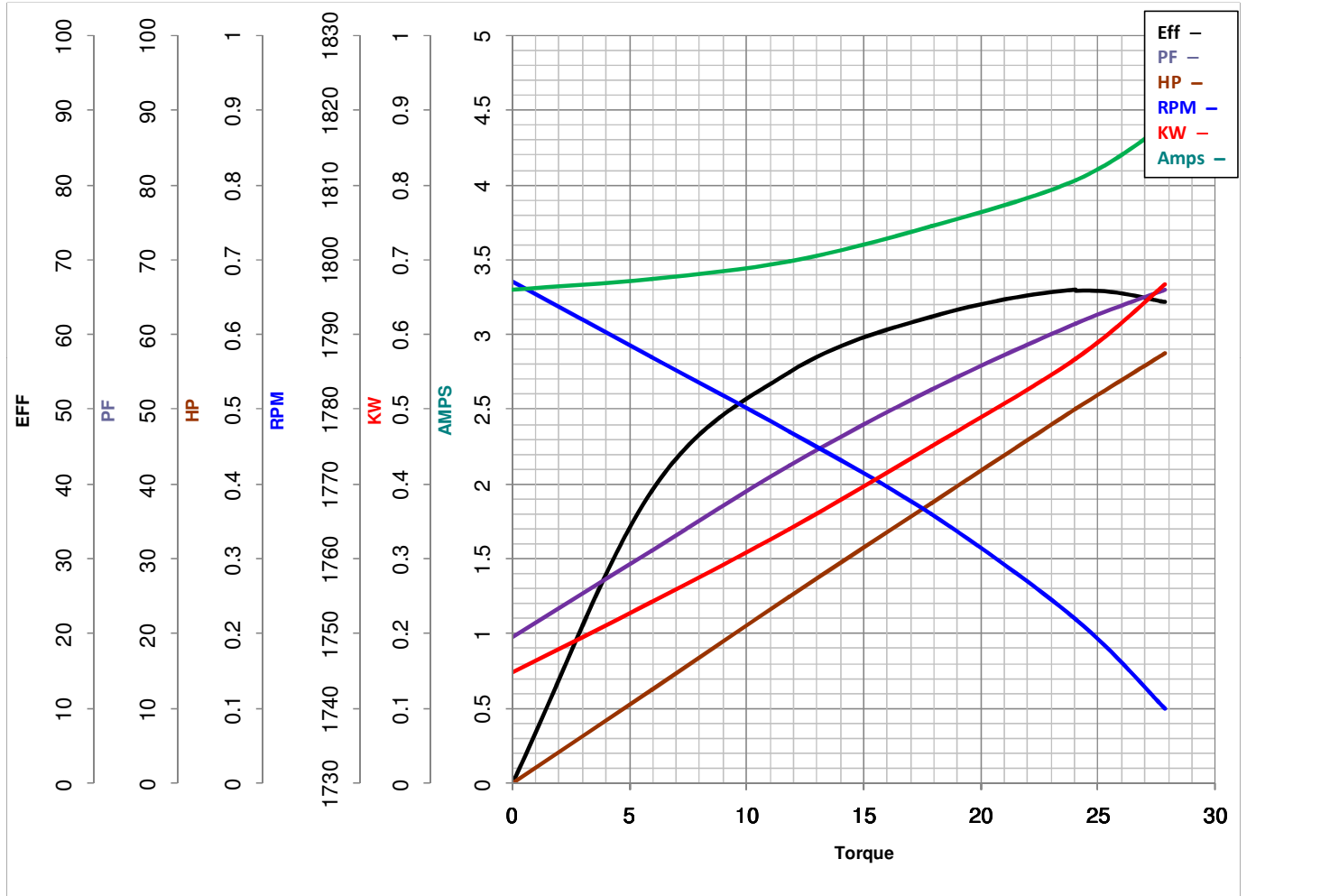
**LEESON ELECTRIC CORPORATION**  
 TYPICAL PERFORMANCE CURVE for AC MOTOR

Model No 102908.00

Catalog No 102908.00

Curve at 230 Volts      HP 0.50      PHASE 1  
60 HZ  
0.5 HP      VOLTS 115/208-230

HZ 60      RPM 1725



Torque in Oz.Ft

FL TORQUE 24.09 Oz.Ft  
 BD TORQUE 64.2 Oz.Ft  
 LR TORQUE 84.1 Oz.Ft

FL AMPS 8/3.8-4  
 PU TORQUE 54.1 Oz.Ft  
 LR AMPS 20.7

WINDING CE484212-3

Date 4/11/2018