

PRODUCT INFORMATION PACKET



Model No: C4C17FK5B

Catalog No: 102907.00

..1/2HP..1725RPM.S56.TEFC.115/208-230V.1PH.60HZ.CONT.40C.1.15SF.RIGID.C4C17FK5B.....WP 56 to 48 Repl 110734.NOT.....

Totally Enclosed Fan Cooled (TEFC)



Regal and Leeson are trademarks of Regal Beloit Corporation or one of its affiliated companies.

©2018 Regal Beloit Corporation, All Rights Reserved. MC017097E



Product Information Packet: Model No: C4C17FK5B, Catalog No:102907.00
 ..1/2HP..1725RPM.S56.TEFC.115/208-230V.1PH.60HZ.CONT.40C.1.15SF.RIGID.C4C17FK5B.....WP 56 to 48 Repl
 110734.NOT.....



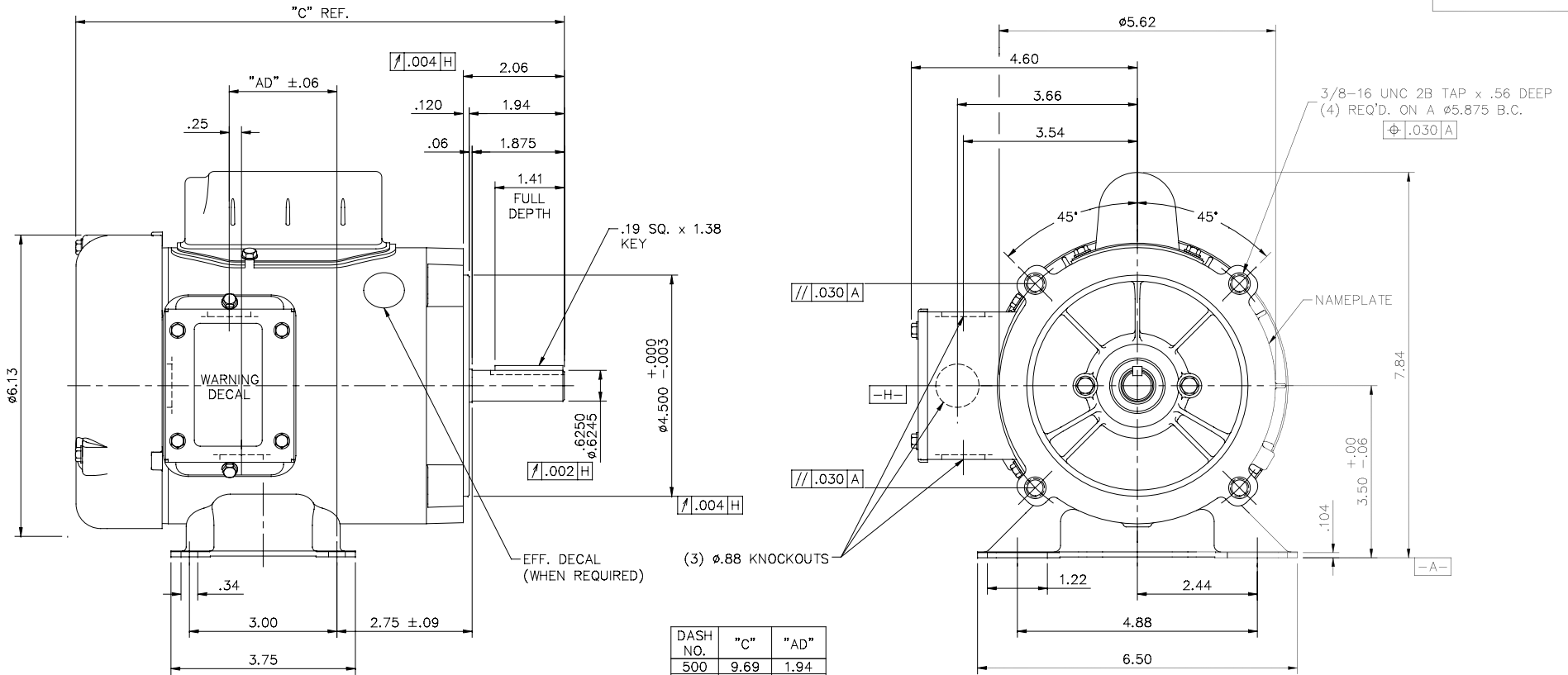
Nameplate Specifications

Output HP	0.50 Hp	Output KW	0.37 kW
Frequency	60 Hz	Voltage	115/208-230 V
Current	8.0/3.8-4.0 A	Speed	1725 rpm
Service Factor	1.15	Phase	1
Efficiency	66 %	Duty	Continuous
Insulation Class	F	Design Code	O
KVA Code	L	Frame	S56C
Enclosure	Totally Enclosed Fan Cooled	Overload Protector	No
Ambient Temperature	40 °C	Drive End Bearing Size	6203
Opp Drive End Bearing Size	6203	UL	Recognized
CSA	Y	CE	N
IP Code	43		

Technical Specifications

Electrical Type	Capacitor Start Induction Run	Starting Method	Across The Line
Poles	4	Rotation	Selective Counterclockwise
Mounting	Rigid base	Motor Orientation	HORIZONTAL
Drive End Bearing	BALL	Opp Drive End Bearing	BALL
Frame Material	Rolled Steel	Shaft Type	T
Overall Length	10.69 in	Frame Length	6.00 in
Shaft Diameter	0.625 in	Shaft Extension	1.88 in
Assembly/Box Mounting	F1 ONLY		
Outline Drawing	031765-600	Connection Diagram	005005.44

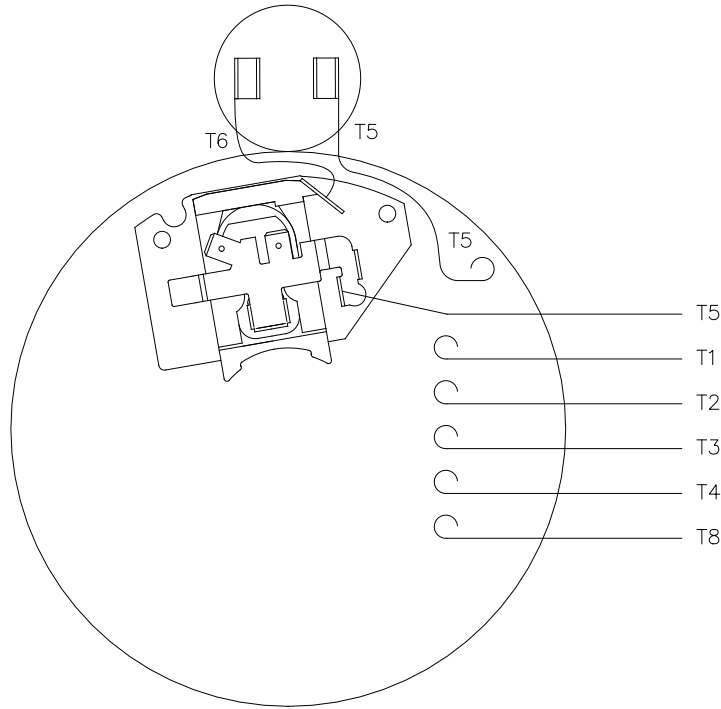
This is an uncontrolled document once printed or downloaded and is subject to change without notice. Date Created: 10/15/2018



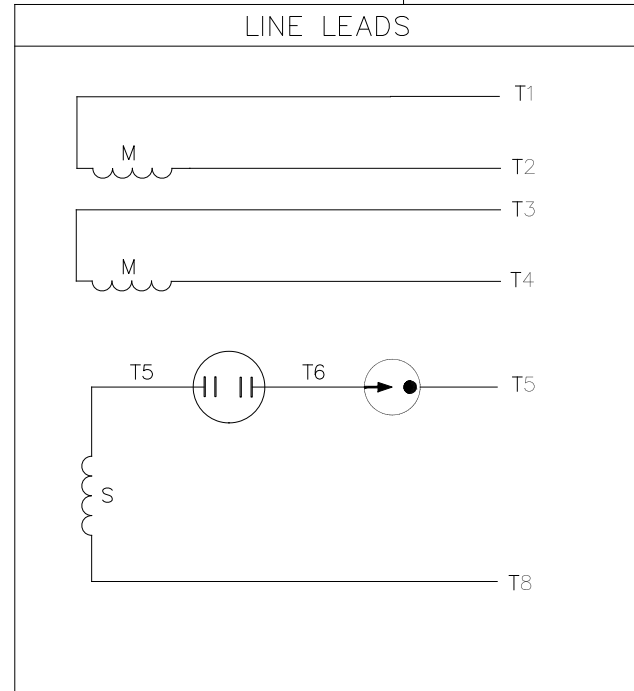
GASKETS THROUGHOUT

		TOLERANCES UNLESS SPECIFIED				DRAWN PG 4/29/04	
		DEC.	INCHES			CHK	
		.X	±.1			APPD	
		.XX	±.03	TITLE		SCALE 1=2	
		.XXX	±.005	OUTLINE - S56C FRAME		REF 031649	
A		SL	10/05/15	VS	.XXXX	±.0005	FMF 102916.00
NO.		REVISION	BY & DATE	CHK	ANG	±1/2"	PREV
THIS DRAWING IN DESIGN AND DETAIL IS OUR PROPERTY AND MUST NOT BE USED EXCEPT IN CONNECTION WITH OUR WORK ALL RIGHTS OF DESIGN AND INVENTION ARE RESERVED THIS IS AN ELECTRONICALLY GENERATED DOCUMENT - DO NOT SCALE THIS PRINT				RFP	CAD FILE	031765	SIZE B
				DIST	DRAWING NO.	031765	REV.

005005-44



VIEW FROM OUTSIDE OF MOTOR AT SWITCH END



	ROTATION FACING LEAD END	L1	L2	JOIN
HIGH VOLT	C.C.W.	T1	T4, T5	T2, T3 T8
	C.W.	T1	T4, T8	T2, T3 T5
LOW VOLT	C.C.W.	T1 T3, T8	T2, T4 T5	
	C.W.	T1 T3, T5	T2, T4 T8	

				TOLERANCES UNLESS OTHERWISE SPECIFIED			DRAWN PG 5/7/01		TITLE EXTERNAL WIRING DIAGRAM TYPE "C" W/O PROTECTOR			
				DEC.	INCHES	METRIC	APPR.		MAT'L. DUAL VOLTAGE - DUAL ROTATION			
				.X	±.1	±2.5						
				.XX	±.01	±.25						
01	MOVED T5 TO "INSIDE" SWITCH TERMINAL	PG 8/2/01		.XXX	±.005	±.127	R.F.P.					
NO.	REVISION	BY & DATE	CH'K'D.	.XXXX	±.0005	±.0127	SCALE 5=8					
THIS DRAWING IN DESIGN AND DETAIL IS OUR PROPERTY AND MUST NOT BE USED EXCEPT IN CONNECTION WITH OUR WORK ALL RIGHTS OF DESIGN AND INVENTION ARE RESERVED THIS IS AN ELECTRONICALLY GENERATED DOCUMENT - DO NOT SCALE THIS PRINT				FRACTIONS	±1/64		REF.	005005-01		FINISH	REV. 01	DRAWING NO. 005005-44
				ANGLES	±1/2'		FMF	100006				





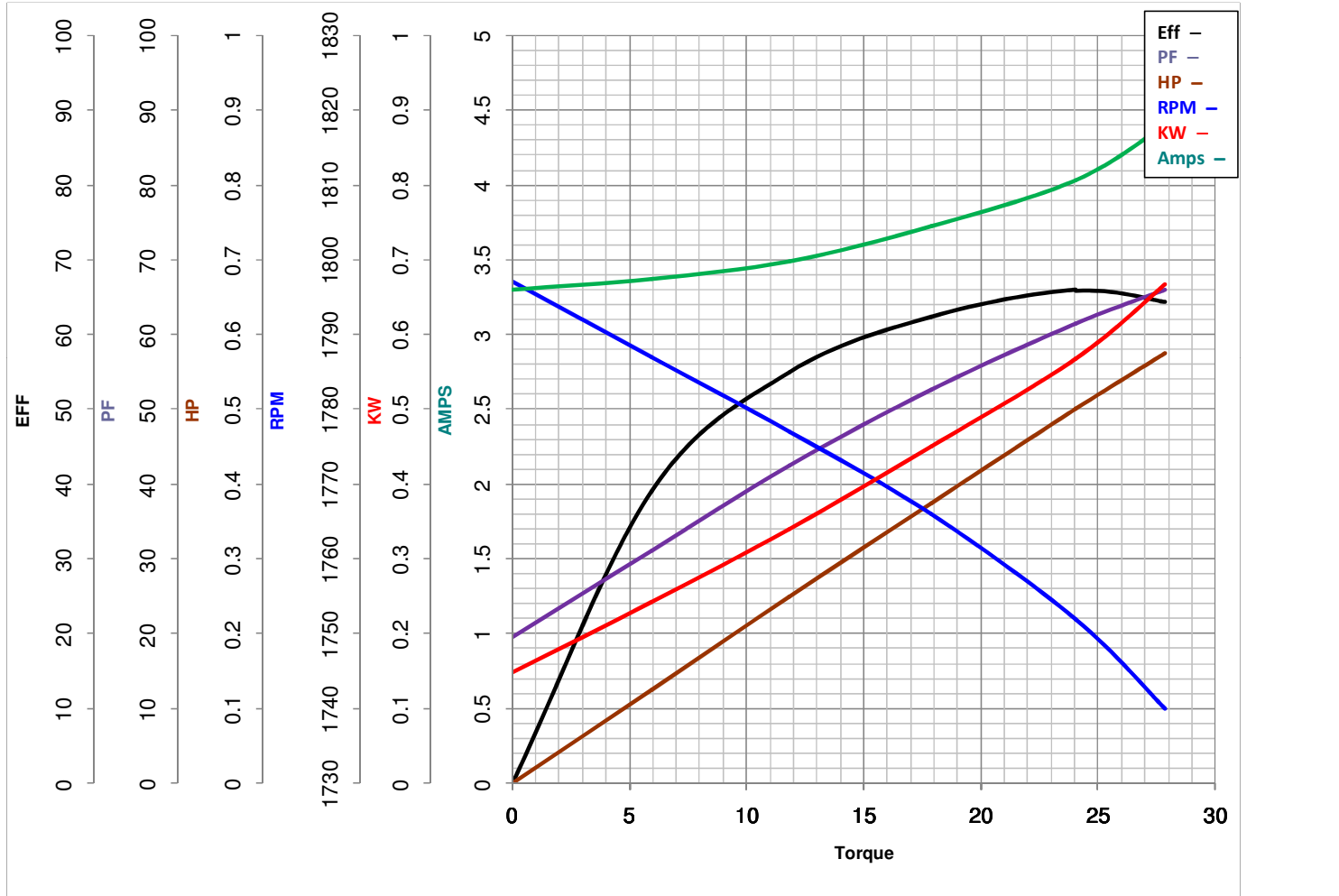
LEESON ELECTRIC CORPORATION
 TYPICAL PERFORMANCE CURVE for AC MOTOR

Model No 102907.00

Catalog No 102907.00

Curve at 230 Volts HP 0.50 PHASE 1
60 HZ
0.5 HP VOLTS 115/208-230

HZ 60 RPM 1725



Torque in Oz.Ft

FL TORQUE 24.09 Oz.Ft
 BD TORQUE 64.2 Oz.Ft
 LR TORQUE 84.1 Oz.Ft

FL AMPS 8/3.8-4
 PU TORQUE 54.1 Oz.Ft
 LR AMPS 20.7

WINDING CE484212-3

Date 4/11/2018