

PRODUCT INFORMATION PACKET



Model No: C4C17FH28B

Catalog No: 102906.00

..1/2HP..1725RPM.S56.TEFC.115/208-230V.1PH.60HZ.CONT.40C.1.15SF.RIGID.C4C17FH28B.....WP 56 to 48 Repl 110012.NOT.....

Totally Enclosed Fan Cooled (TEFC)



Regal and Leeson are trademarks of Regal Beloit Corporation or one of its affiliated companies.

©2018 Regal Beloit Corporation, All Rights Reserved. MC017097E





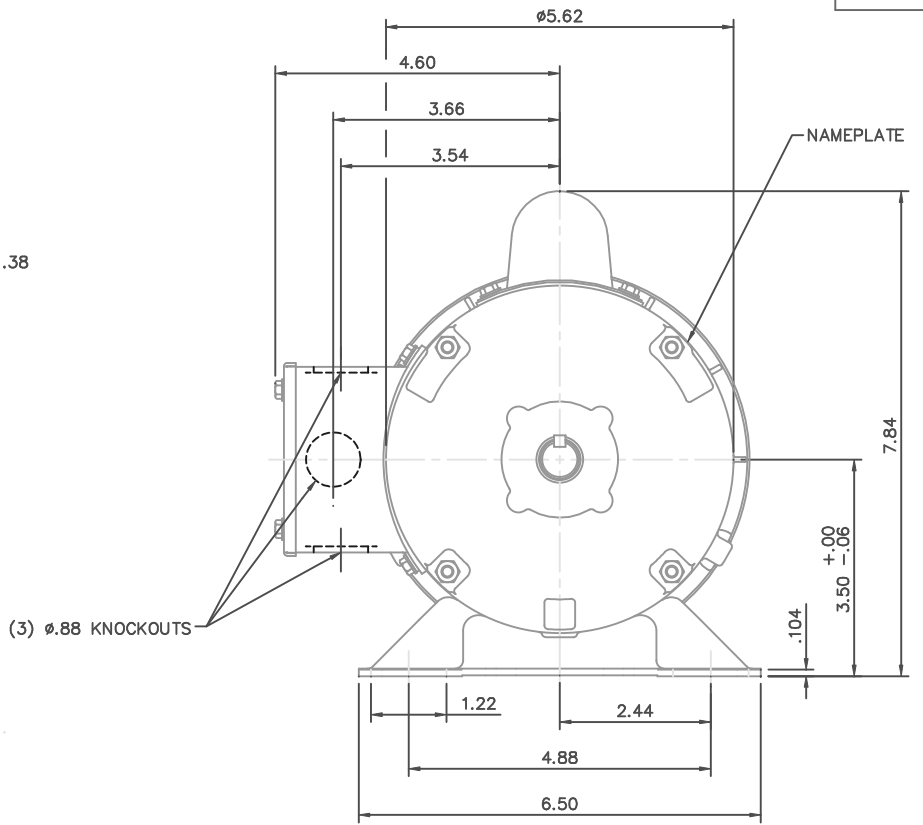
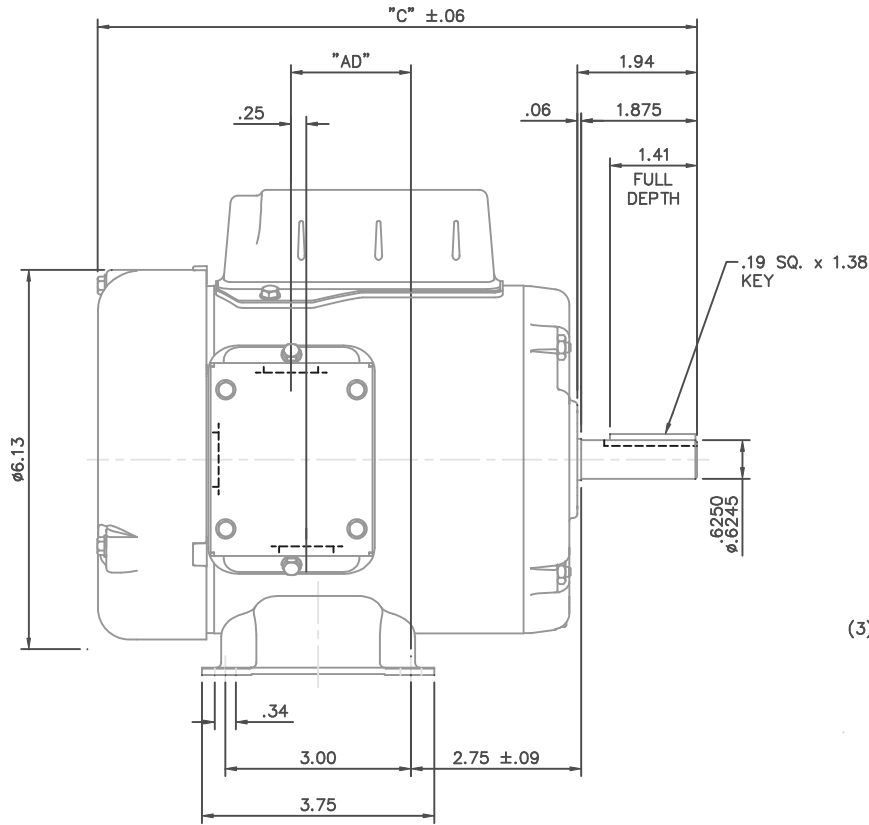
Nameplate Specifications

Output HP	0.50 Hp	Output KW	0.37 kW
Frequency	60 Hz	Voltage	115/208-230 V
Current	8.0/3.8-4.0 A	Speed	1725 rpm
Service Factor	1.15	Phase	1
Efficiency	66 %	Duty	Continuous
Insulation Class	F	Design Code	O
KVA Code	L	Frame	S56
Enclosure	Totally Enclosed Fan Cooled	Overload Protector	No
Ambient Temperature	40 °C	Drive End Bearing Size	6203
Opp Drive End Bearing Size	6203	UL	Recognized
CSA	Y	CE	N
IP Code	43		

Technical Specifications

Electrical Type	Capacitor Start Induction Run	Starting Method	Across The Line
Poles	4	Rotation	Selective Counterclockwise
Mounting	Rigid base	Motor Orientation	HORIZONTAL
Drive End Bearing	BALL	Opp Drive End Bearing	BALL
Frame Material	Rolled Steel	Shaft Type	T
Overall Length	10.69 in	Frame Length	6.00 in
Shaft Diameter	0.625 in	Shaft Extension	1.88 in
Assembly/Box Mounting	F1 ONLY		
Outline Drawing	031631-600	Connection Diagram	005005.44

This is an uncontrolled document once printed or downloaded and is subject to change without notice. Date Created: 10/15/2018

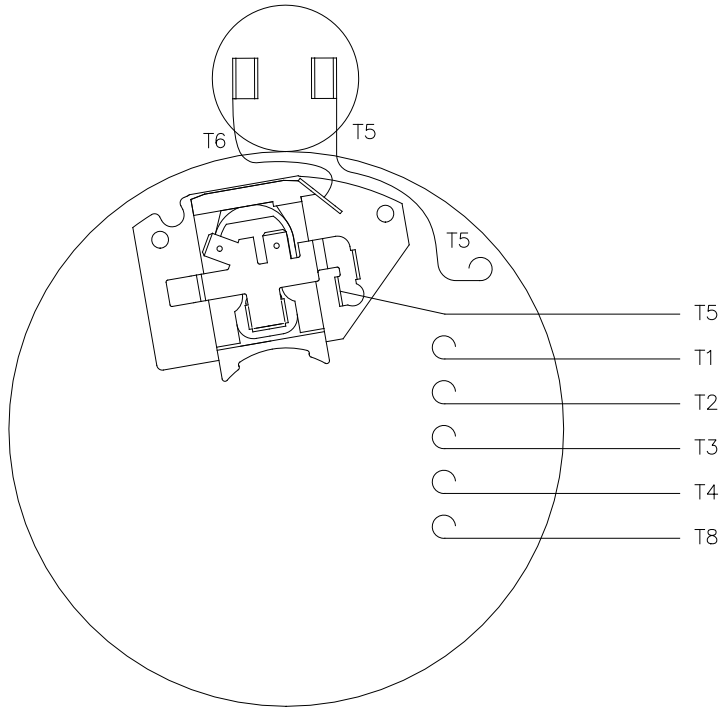


DASH NO.	"C"	"AD"
500	9.69	1.94
525	9.94	2.19
550	10.19	2.44
575	10.44	2.69
600	10.69	2.94
625	10.94	3.19
650	11.19	3.44
675	11.44	3.69

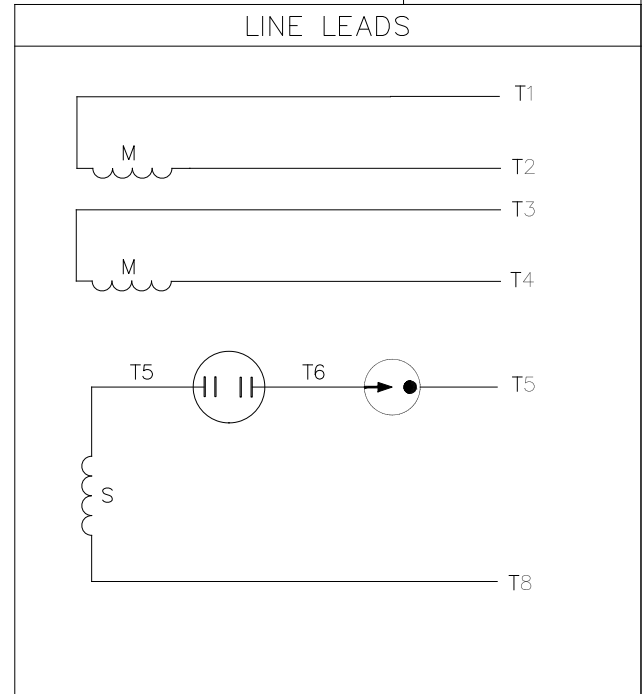
GASKETS THROUGHOUT

				TOLERANCES UNLESS OTHERWISE SPECIFIED		LEESON ELECTRIC CORPORATION				
				DEC.	INCHES	METRIC	DRAWN	PG 5/30/01	TITLE	
				.X	±.1	±2.5	APPR.		OUTLINE - S56 FRAME	
				.XX	±.03	±.76	R.F.P.		RIGID MOUNT - TEFC	
				.XXX	±.005	±.127	SCALE	1=2	MAT'L	
				.XXXX	±.0005	±.0127	1 PHASE			
NO.	REVISION	BY & DATE	CH'K'D.	FRACTIONS	±1/64	REF.	030391	FINISH	REV.	DRAWING NO.
THIS DRAWING IN DESIGN AND DETAIL IS OUR PROPERTY AND MUST NOT BE USED EXCEPT IN CONNECTION WITH OUR WORK. ALL RIGHTS OF DESIGN AND INVENTION ARE RESERVED. THIS IS AN ELECTRONICALLY GENERATED DOCUMENT - DO NOT SCALE THIS PRINT.				ANGLES	±1/2°	FMF	101078			031631

005005-44



VIEW FROM OUTSIDE OF MOTOR AT SWITCH END



	ROTATION FACING LEAD END	L1	L2	JOIN
HIGH VOLT	C.C.W.	T1	T4, T5	T2, T3 T8
	C.W.	T1	T4, T8	T2, T3 T5
LOW VOLT	C.C.W.	T1 T3, T8	T2, T4 T5	
	C.W.	T1 T3, T5	T2, T4 T8	

				TOLERANCES UNLESS OTHERWISE SPECIFIED			Regal Beloit America, Inc.	
				DEC.	INCHES	METRIC		
				.X	±.1	±2.5	DRAWN PG 5/7/01	TITLE EXTERNAL WIRING DIAGRAM TYPE "C" W/O PROTECTOR
				.XX	±.01	±.25	APPR.	MAT'L. DUAL VOLTAGE - DUAL ROTATION
01	MOVED T5 TO "INSIDE" SWITCH TERMINAL	PG 8/2/01		.XXX	±.005	±.127	R.F.P.	
NO.	REVISION	BY & DATE	CH'K'D.	.XXXX	±.0005	±.0127	SCALE 5=8	
THIS DRAWING IN DESIGN AND DETAIL IS OUR PROPERTY AND MUST NOT BE USED EXCEPT IN CONNECTION WITH OUR WORK ALL RIGHTS OF DESIGN AND INVENTION ARE RESERVED THIS IS AN ELECTRONICALLY GENERATED DOCUMENT - DO NOT SCALE THIS PRINT				FRACTIONS	±1/64		REF. 005005-01	FINISH
				ANGLES	±1/2'		FMF 100006	REV. 01

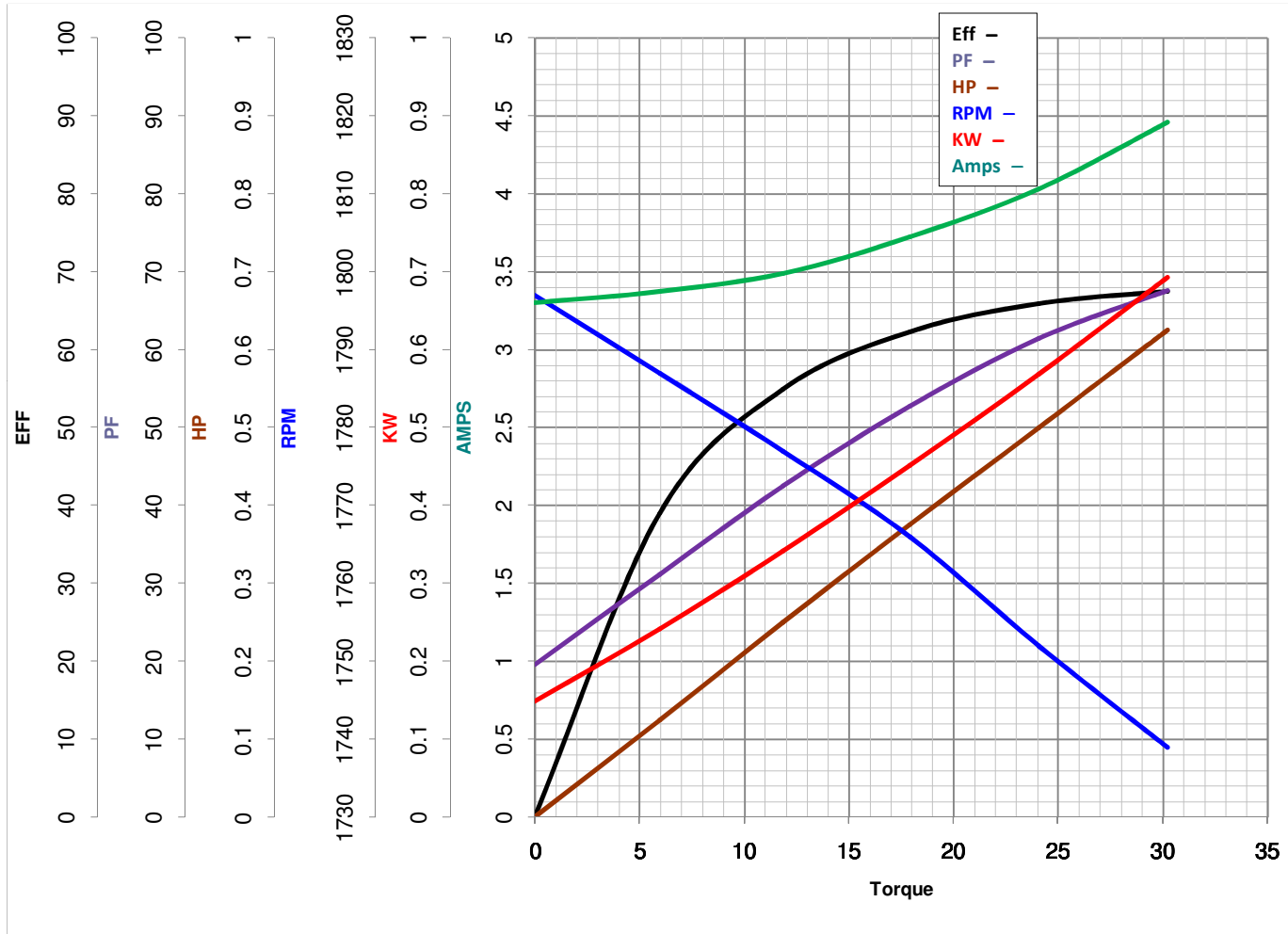


LEESON ELECTRIC CORPORATION
 TYPICAL PERFORMANCE CURVE for AC MOTOR

Model No 102906.00

Catalog No 102906.00

Curve at 230 Volts HP 0.50 PHASE 1
60 HZ
0.5 HP VOLTS 115/208-230
 HZ 60 RPM 1725



Torque in Oz.Ft

FL TORQUE 24.09 Oz.Ft
 BD TORQUE 64.2 Oz.Ft
 LR TORQUE 84.1 Oz.Ft

FL AMPS 8/3.8-4
 PU TORQUE 54.1 Oz.Ft
 LR AMPS 20.7

WINDING CE484212-3

Date 3/22/2018