

# PRODUCT INFORMATION PACKET



Model No: M4C34FH7B

Catalog No: 102904.00

1/2HP..3450RPM.56.TEFC.115/208-230V.1PH.60HZ.CONT.MANUAL.40C.1.15SF.RIGID.WP 56 to 48 Repl  
110141.M4C34FH7B

Totally Enclosed Fan Cooled (TEFC)



Regal and Leeson are trademarks of Regal Beloit Corporation or one of its affiliated companies.

©2018 Regal Beloit Corporation, All Rights Reserved. MC017097E





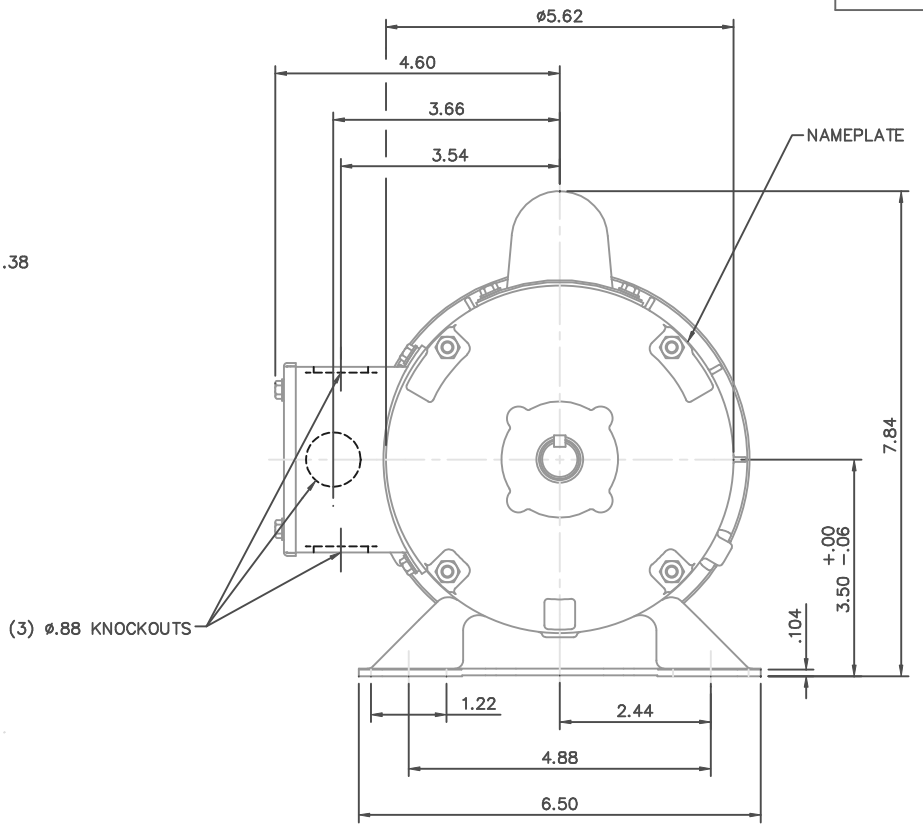
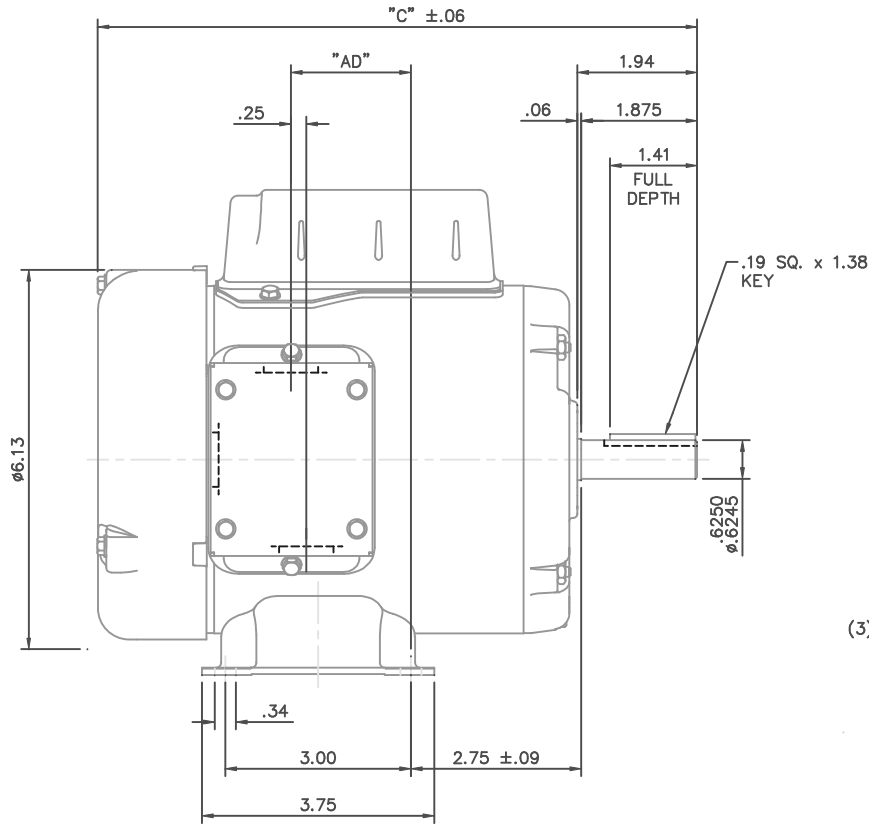
### Nameplate Specifications

Output HP	<b>0.50 Hp</b>	Output KW	<b>0.37 kW</b>
Frequency	<b>60 Hz</b>	Voltage	<b>115/208-230 V</b>
Current	<b>7.0/3.4-3.5 A</b>	Speed	<b>3450 rpm</b>
Service Factor	<b>1.15</b>	Phase	<b>1</b>
Efficiency	<b>66 %</b>	Duty	<b>Continuous</b>
Insulation Class	<b>B</b>	Design Code	<b>N</b>
KVA Code	<b>L</b>	Frame	<b>S56</b>
Enclosure	<b>Totally Enclosed Fan Cooled</b>	Overload Protector	<b>Manual</b>
Ambient Temperature	<b>40 °C</b>	Drive End Bearing Size	<b>6203</b>
Opp Drive End Bearing Size	<b>6203</b>	UL	<b>Recognized</b>
CSA	<b>Y</b>	CE	<b>N</b>
IP Code	<b>43</b>		

### Technical Specifications

Electrical Type	<b>Capacitor Start Induction Run</b>	Starting Method	<b>Across The Line</b>
Poles	<b>2</b>	Rotation	<b>Selective Counterclockwise</b>
Mounting	<b>Rigid base</b>	Motor Orientation	<b>HORIZONTAL</b>
Drive End Bearing	<b>BALL</b>	Opp Drive End Bearing	<b>BALL</b>
Frame Material	<b>Rolled Steel</b>	Shaft Type	<b>T</b>
Overall Length	<b>9.94 in</b>	Frame Length	<b>5.25 in</b>
Shaft Diameter	<b>0.625 in</b>	Shaft Extension	<b>1.88 in</b>
Assembly/Box Mounting	<b>F1 ONLY</b>		
Outline Drawing	<b>031631-525</b>	Connection Diagram	<b>005003.52</b>

This is an uncontrolled document once printed or downloaded and is subject to change without notice. Date Created: 10/15/2018

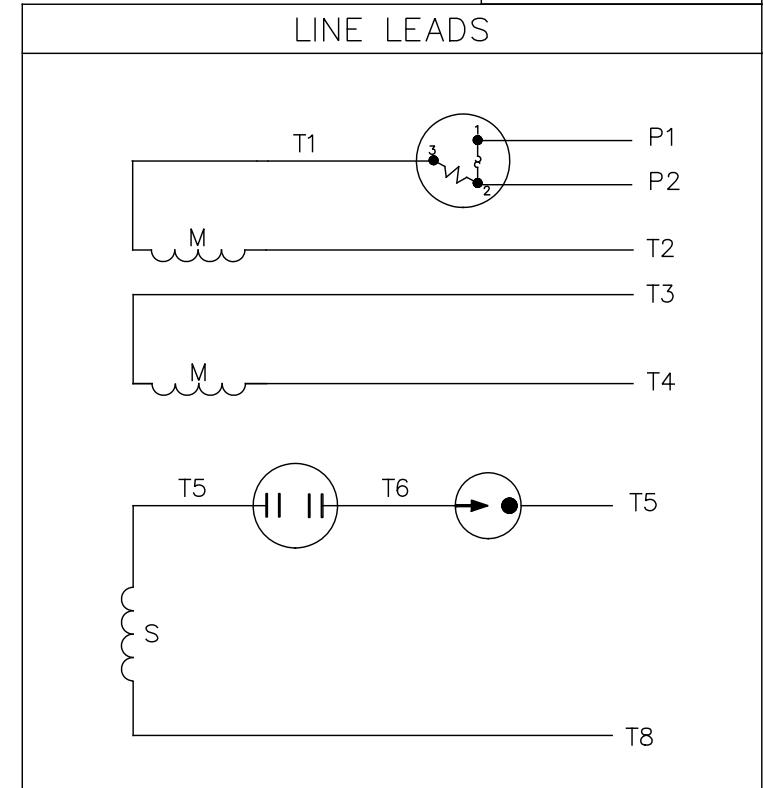
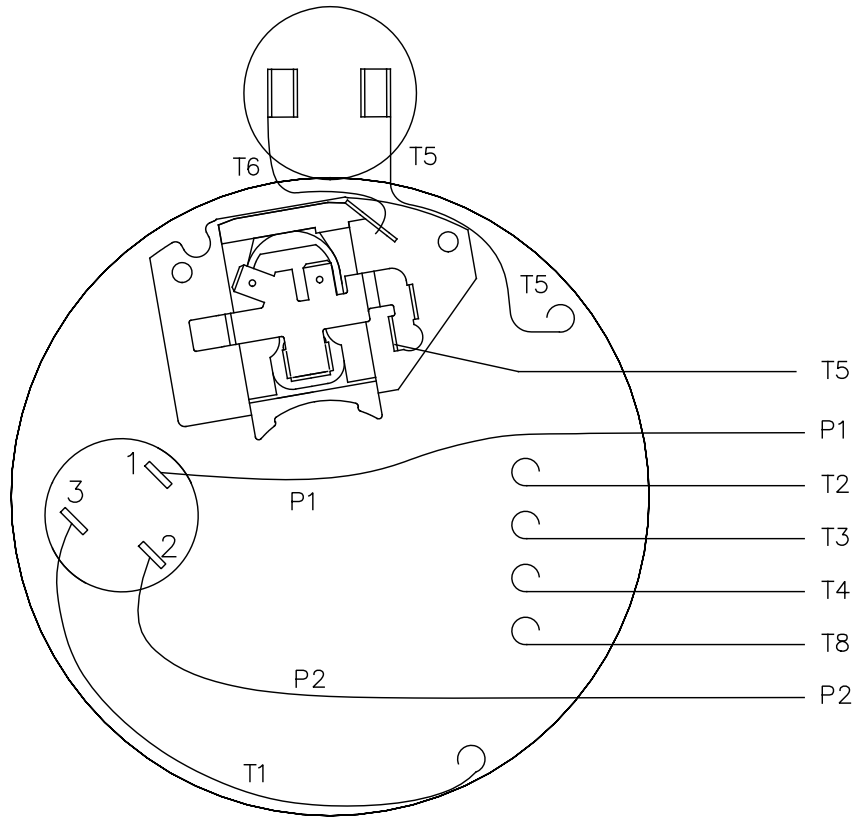


DASH NO.	"C"	"AD"
500	9.69	1.94
525	9.94	2.19
550	10.19	2.44
575	10.44	2.69
600	10.69	2.94
625	10.94	3.19
650	11.19	3.44
675	11.44	3.69


GASKETS THROUGHOUT

				TOLERANCES UNLESS OTHERWISE SPECIFIED		LEESON ELECTRIC CORPORATION							
				DEC.	INCHES	METRIC	DRAWN	PG 5/30/01	TITLE				
				.X	±.1	±2.5	APPR.		OUTLINE - S56 FRAME RIGID MOUNT - TEFC				
				.XX	±.03	±.76	R.F.P.		MAT'L				
				.XXX	±.005	±.127	SCALE	1=2	1 PHASE				
NO.	REVISION	BY & DATE	CH'K'D.	.XXXX	±.0005	±.0127	FRACTIONS	±1/64	REF.	030391	FINISH	REV.	DRAWING NO.
THIS DRAWING IN DESIGN AND DETAIL IS OUR PROPERTY AND MUST NOT BE USED EXCEPT IN CONNECTION WITH OUR WORK. ALL RIGHTS OF DESIGN AND INVENTION ARE RESERVED. THIS IS AN ELECTRONICALLY GENERATED DOCUMENT - DO NOT SCALE THIS PRINT.				ANGLES	±1/2°	FMF	101078						031631

VIEW FROM OUTSIDE OF MOTOR AT SWITCH END.



	ROTATION FACING LEAD END	L1	L2	JOIN	INSULATE SEPARATELY
HIGH VOLT	C.C.W.	P1	T4 T5	T2, T3 T8	P2
	C.W.	P1	T4 T8	T2, T3 T5	P2
LOW VOLT	C.C.W.	P1	T2, T4 T5	P2, T3 T8	--
	C.W.	P1	T2, T4 T8	P2, T3 T5	--

		TOLERANCES UNLESS SPECIFIED		 <b>Regal Beloit America, Inc.</b>		DRAWN PG 6/8/01			
		DEC.	INCHES			CHK			
		.X	±.1			APPD			
		.XX	±.01	TITLE		SCALE 1=1			
02	CHANGED CAMPANY LOGO ONLY	AS	11/08/16	.XXX	±.005	REF 005003-01			
01	MOVED T5 TO "INSIDE" SWITCH TERMINAL	PG	8/2/01	CD	.XXXX ±.0005	FMF 100002			
NO.	REVISION	BY & DATE	CHK	ANG	±1/2"	PREV			
THIS DRAWING IN DESIGN AND DETAIL IS OUR PROPERTY AND MUST NOT BE USED EXCEPT IN CONNECTION WITH OUR WORK ALL RIGHTS OF DESIGN AND INVENTION ARE RESERVED THIS IS AN ELECTRONICALLY GENERATED DOCUMENT - DO NOT SCALE THIS PRINT				RFP	CAD FILE	00500352	SIZE	DRAWING NO.	REV.
				DIST			A	005003-52	02



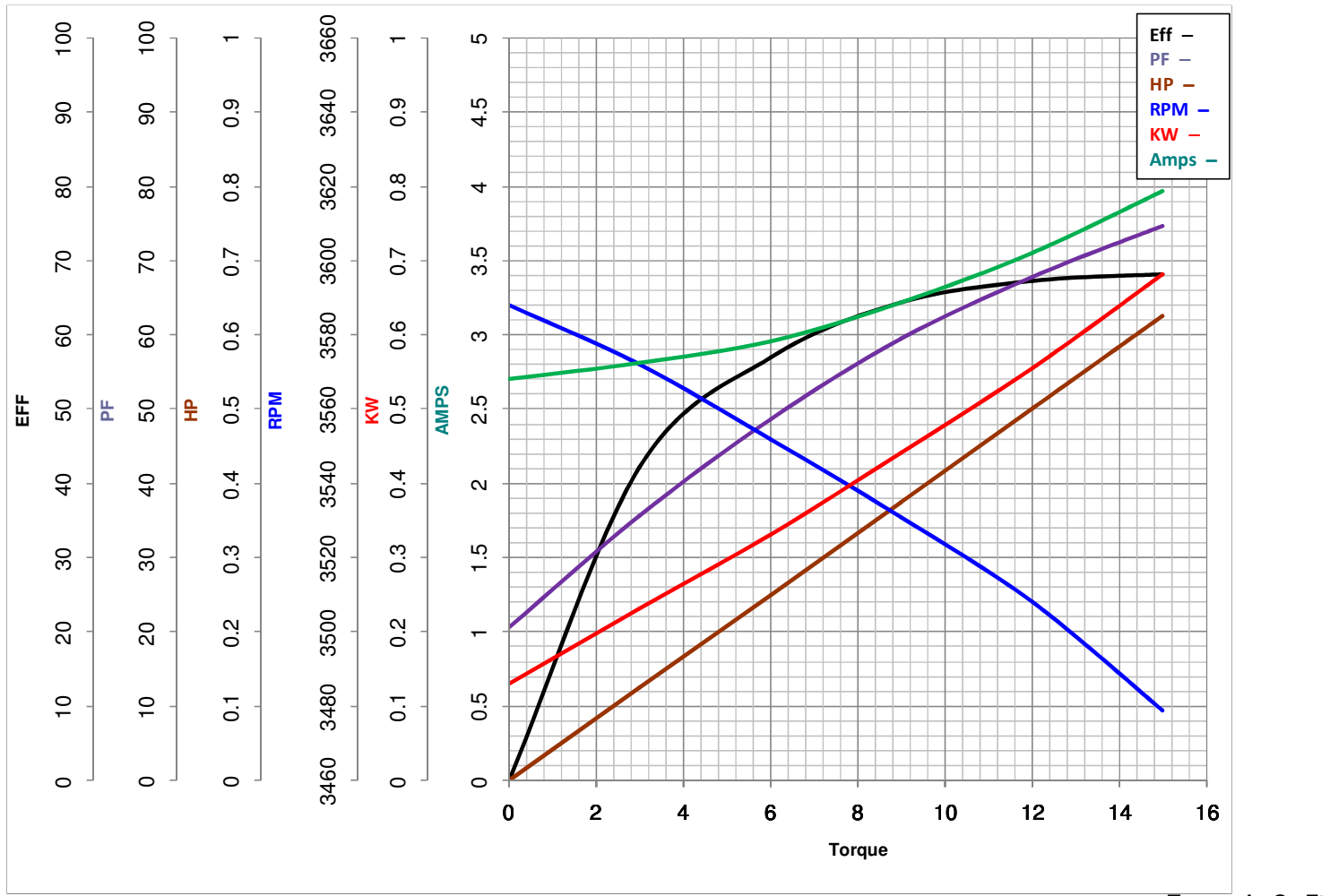
**LEESON ELECTRIC CORPORATION**  
TYPICAL PERFORMANCE CURVE for AC MOTOR

Model No 102904.00

Catalog No 102904.00

Curve at 230 Volts      HP 0.50      PHASE 1  
60 HZ  
0.5 HP      VOLTS 115/208-230

HZ 60      RPM 3450



FL TORQUE	<u>12</u>	Oz.Ft	FL AMPS	<u>7/3.4-3.5</u>
BD TORQUE	<u>35.2</u>	Oz.Ft	PU TORQUE	<u>31.5</u> Oz.Ft
LR TORQUE	<u>34.6</u>	Oz.Ft	LR AMPS	<u>20.5</u>
WINDING	CE482235-3		Date	<u>5/2/2018</u>