

PRODUCT INFORMATION PACKET



Model No: C4C34NC15B

Catalog No: 102873.00

1/3HP..3450RPM.56.TENV.115/208-230V.1PH.60HZ.CONT.NOT.40C.1.0SF.ROUND.S56C Platform
Model.C4C34NC15B

Totally Enclosed Non-Ventilated (TENV)



Regal and Leeson are trademarks of Regal Beloit Corporation or one of its affiliated companies.

©2018 Regal Beloit Corporation, All Rights Reserved. MC017097E





Nameplate Specifications

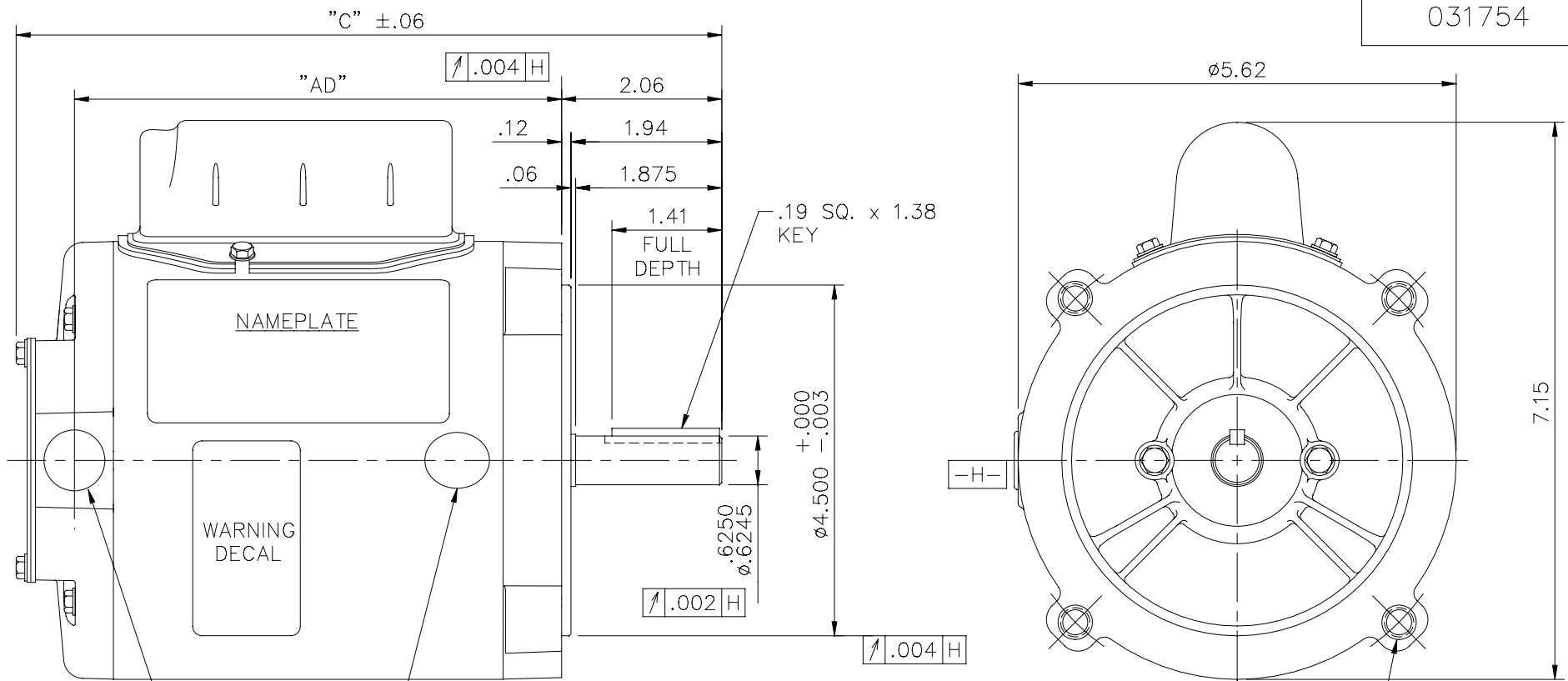
Output HP	0.33 Hp	Output KW	0.25 kW
Frequency	60 Hz	Voltage	115/208-230 V
Current	3.8/2.0-1.9 A	Speed	3450 rpm
Service Factor	1	Phase	1
Efficiency	74 %	Duty	Continuous
Insulation Class	B	Design Code	N
KVA Code	K	Frame	56C
Enclosure	Totally Enclosed Non Ventilated	Overload Protector	No
Ambient Temperature	40 °C	Drive End Bearing Size	6203
Opp Drive End Bearing Size	6203	UL	Recognized
CSA	Y	CE	N
IP Code	43		

Technical Specifications

Electrical Type	Capacitor Start Induction Run	Starting Method	Across The Line
Poles	2	Rotation	Selective Counterclockwise
Mounting	Round	Motor Orientation	HORIZONTAL
Drive End Bearing	BALL	Opp Drive End Bearing	BALL
Frame Material	Rolled Steel	Shaft Type	T
Overall Length	9.30 in	Frame Length	5.25 in
Shaft Diameter	0.625 in	Shaft Extension	1.88 in
Assembly/Box Mounting	F1 ONLY		
Outline Drawing	031754-525	Connection Diagram	005005.44

This is an uncontrolled document once printed or downloaded and is subject to change without notice. Date Created: 10/15/2018

031754



1/2-14 NPT CONDUIT HOLE (PLUGGED)

EFF. DECAL (WHEN REQUIRED)

GASKETS THROUGHOUT

DASH NO.	"C"	"AD"
475	8.80	6.00
500	9.05	6.25
525	9.30	6.50
550	9.55	6.75
575	9.80	7.00
600	10.05	7.25
625	10.30	7.50
650	10.55	7.75
675	10.80	8.00
700	11.05	8.25



ELECTRIC MOTORS
GEARMOTORS
AND DRIVES

DRAWN	PG 10/27/03
CHK	
APPD	
TITLE	SCALE 1=2
REF	031727
FMF	110405.00
PREV	

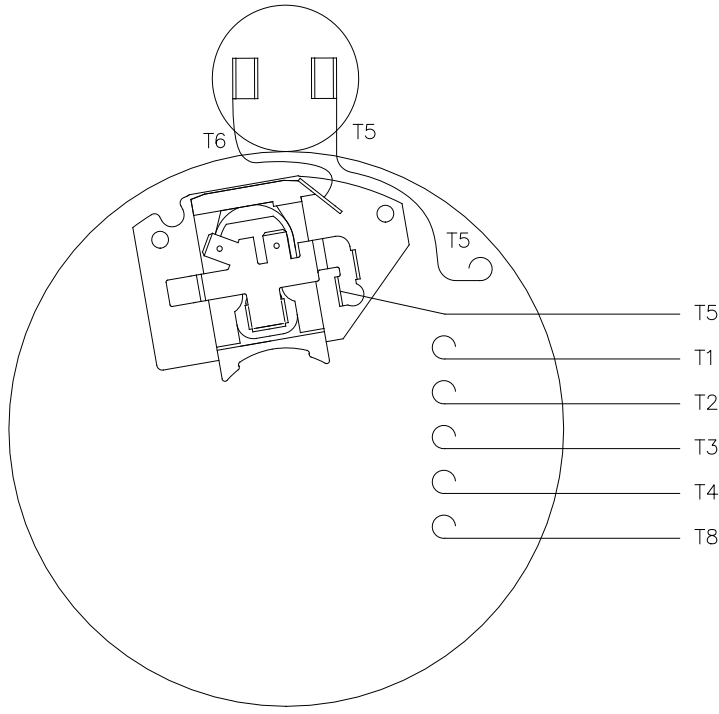
TITLE	OUTLINE - S56C FRAME "C" FACE MOUNT - ENCLOSED
MAT'L.	1 PHASE
FINISH	STANDARD
CAD FILE	031754

NO.	REVISION	BY & DATE	CHK	ANG	TOLERANCES UNLESS SPECIFIED	
					DEC.	INCHES
					.X	±.1
					.XX	±.03
					.XXX	±.005
A	UPDATED WITH CAP BOX, WARNING DECAL & EFF DECAL	SL 10/08/15	VS	.XXXX	±.0005	
					±1/2"	

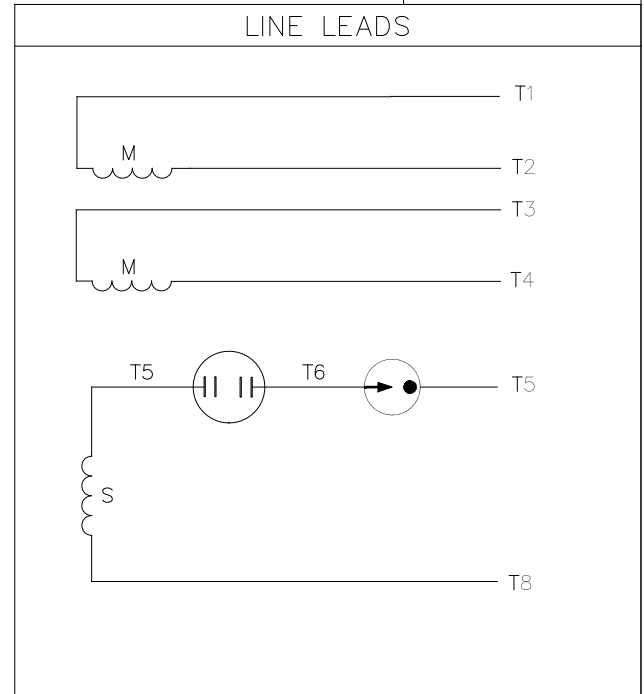
THIS DRAWING IN DESIGN AND DETAIL IS OUR PROPERTY AND MUST NOT BE USED EXCEPT IN CONNECTION WITH OUR WORK ALL RIGHTS OF DESIGN AND INVENTION ARE RESERVED
THIS IS AN ELECTRONICALLY GENERATED DOCUMENT - DO NOT SCALE THIS PRINT

RFP	CAD FILE	031754	SIZE	DRAWING NO.	REV.
DIST			A	031754	


005005-44



VIEW FROM OUTSIDE OF MOTOR AT SWITCH END



	ROTATION FACING LEAD END	L1	L2	JOIN
HIGH VOLT	C.C.W.	T1	T4, T5	T2, T3 T8
	C.W.	T1	T4, T8	T2, T3 T5
LOW VOLT	C.C.W.	T1 T3, T8	T2, T4 T5	
	C.W.	T1 T3, T5	T2, T4 T8	

				TOLERANCES UNLESS OTHERWISE SPECIFIED			 Regal Beloit America, Inc.	
				DEC.	INCHES	METRIC		
				.X	±.1	±2.5	DRAWN PG 5/7/01	TITLE EXTERNAL WIRING DIAGRAM TYPE "C" W/O PROTECTOR
				.XX	±.01	±.25	APPR.	MAT'L. DUAL VOLTAGE - DUAL ROTATION
01	MOVED T5 TO "INSIDE" SWITCH TERMINAL	PG 8/2/01		.XXX	±.005	±.127	R.F.P.	
NO.	REVISION	BY & DATE	CH'K'D.	.XXXX	±.0005	±.0127	SCALE 5=8	
THIS DRAWING IN DESIGN AND DETAIL IS OUR PROPERTY AND MUST NOT BE USED EXCEPT IN CONNECTION WITH OUR WORK ALL RIGHTS OF DESIGN AND INVENTION ARE RESERVED THIS IS AN ELECTRONICALLY GENERATED DOCUMENT - DO NOT SCALE THIS PRINT				FRACTIONS	±1/64		REF. 005005-01	FINISH
				ANGLES	±1/2'		FMF 100006	REV. 01

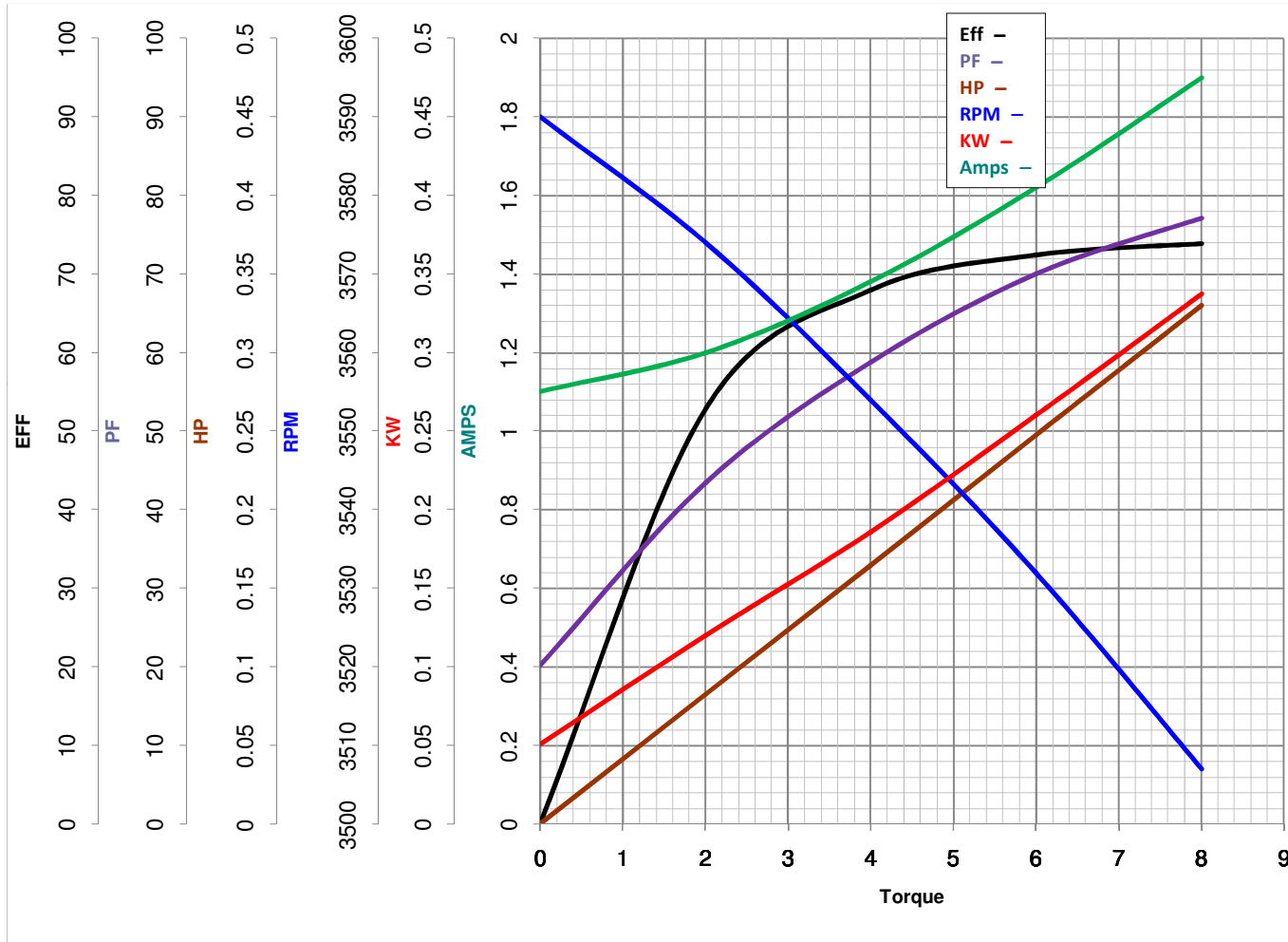


LEESON ELECTRIC CORPORATION
 TYPICAL PERFORMANCE CURVE for AC MOTOR

Model No 102873.00

Catalog No 102873.00

Curve at 230 Volts HP 0.34 PHASE 1
60 HZ
0.33 HP VOLTS 115/208-230
 HZ 60 RPM 3450



Torque in Oz.Ft

FL TORQUE 8 Oz.Ft
 BD TORQUE 22.0 Oz.Ft
 LR TORQUE 31.2 Oz.Ft

FL AMPS 3.8/2-1.9
 PU TORQUE 21.4 Oz.Ft
 LR AMPS 12.55

WINDING CE482278-3

Date 3/22/2018