

PRODUCT INFORMATION PACKET



Model No: M4C17NC27B
Catalog No: 102869.00
..1/3HP..1725RPM.S56C.TENV.115/208-
230V.1PH.60HZ.CONT.40C.1.15SF.ROUND.M4C17NC27B.....S56C Platform Model.MANUAL.....
Totally Enclosed Non-Ventilated (TENV)



Regal and Leeson are trademarks of Regal Beloit Corporation or one of its affiliated companies.

©2018 Regal Beloit Corporation, All Rights Reserved. MC017097E





Nameplate Specifications

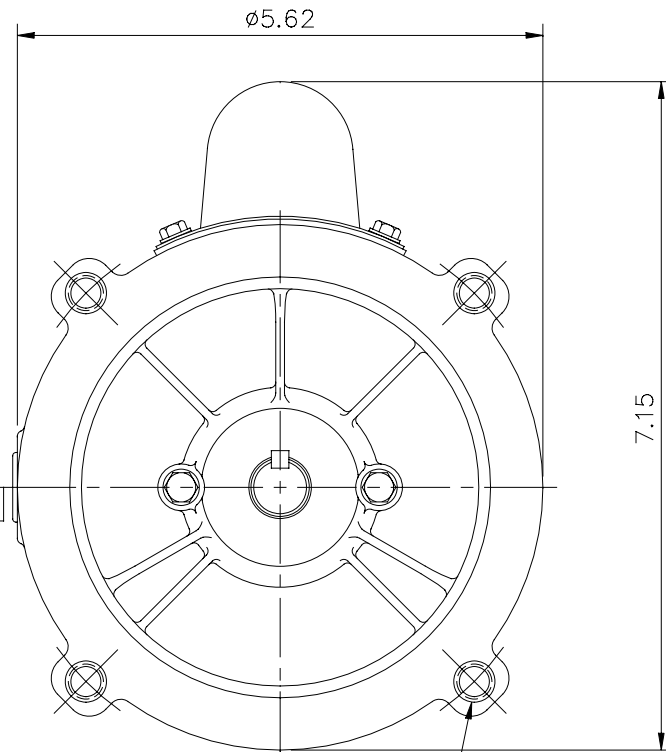
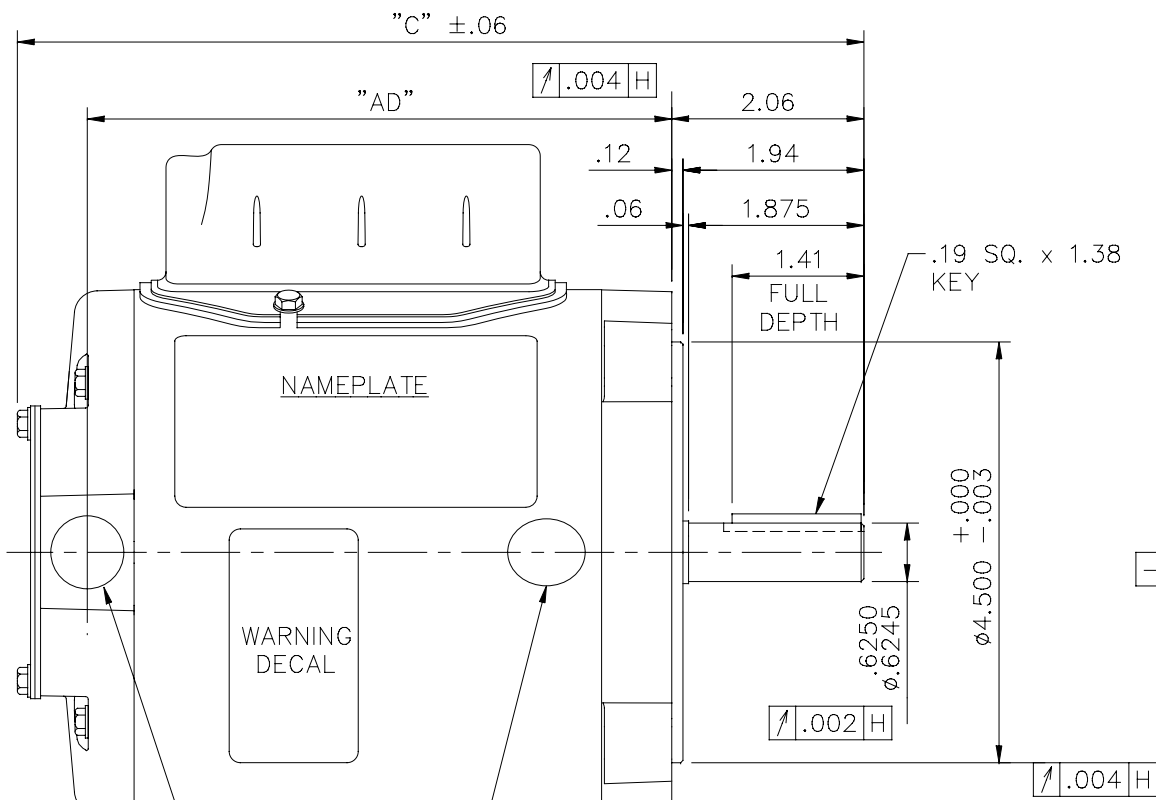
| | | | |
|----------------------------|---------------------------------|------------------------|---------------|
| Output HP | 0.33 Hp | Output KW | 0.25 kW |
| Frequency | 60 Hz | Voltage | 115/208-230 V |
| Current | 5.2/2.6-2.6 A | Speed | 1725 rpm |
| Service Factor | 1.15 | Phase | 1 |
| Efficiency | 65 % | Duty | Continuous |
| Insulation Class | F | Design Code | N |
| KVA Code | J | Frame | S56C |
| Enclosure | Totally Enclosed Non Ventilated | Overload Protector | Manual |
| Ambient Temperature | 40 °C | Drive End Bearing Size | 6203 |
| Opp Drive End Bearing Size | 6203 | UL | Recognized |
| CSA | Y | CE | N |
| IP Code | 43 | | |

Technical Specifications

| | | | |
|-----------------------|-------------------------------|-----------------------|----------------------------|
| Electrical Type | Capacitor Start Induction Run | Starting Method | Across The Line |
| Poles | 4 | Rotation | Selective Counterclockwise |
| Mounting | Round | Motor Orientation | HORIZONTAL |
| Drive End Bearing | BALL | Opp Drive End Bearing | BALL |
| Frame Material | Rolled Steel | Shaft Type | T |
| Overall Length | 10.30 in | Frame Length | 6.25 in |
| Shaft Diameter | 0.625 in | Shaft Extension | 1.88 in |
| Assembly/Box Mounting | F1 ONLY | | |
| Outline Drawing | 031754-625 | Connection Diagram | 005003.52 |

This is an uncontrolled document once printed or downloaded and is subject to change without notice. Date Created: 10/15/2018

031754




1/2-14 NPT
CONDUIT HOLE
(PLUGGED)

EFF. DECAL
(WHEN REQUIRED)

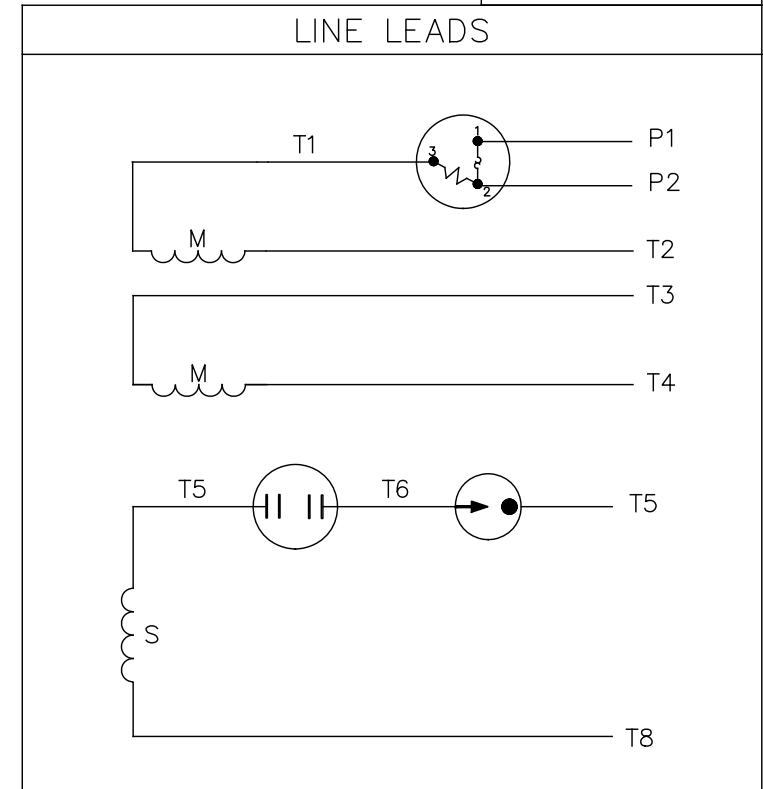
| DASH NO. | "C" | "AD" |
|----------|-------|------|
| 475 | 8.80 | 6.00 |
| 500 | 9.05 | 6.25 |
| 525 | 9.30 | 6.50 |
| 550 | 9.55 | 6.75 |
| 575 | 9.80 | 7.00 |
| 600 | 10.05 | 7.25 |
| 625 | 10.30 | 7.50 |
| 650 | 10.55 | 7.75 |
| 675 | 10.80 | 8.00 |
| 700 | 11.05 | 8.25 |

3/8-16 UNC 2B TAP x .56 DEEP
(4) REQ'D. ON A Ø5.875 B.C.


GASKETS THROUGHOUT

| | | | | TOLERANCES UNLESS SPECIFIED | |  ELECTRIC MOTORS GEARMOTORS AND DRIVES | | DRAWN PG 10/27/03 | |
|--|---|-------------|-----|-----------------------------|--------|---|----------|-------------------|-------------|
| | | | | DEC. | INCHES | | | CHK | APPD |
| | | | | .X | ±.1 | TITLE OUTLINE - S56C FRAME "C" FACE MOUNT - ENCLOSED | | SCALE | 1=2 |
| | | | | .XX | ±.03 | | | REF | 031727 |
| | | | | .XXX | ±.005 | | | FMF | 110405.00 |
| A | UPDATED WITH CAP BOX, WARNING DECAL & EFF DECAL | SL 10/08/15 | VS | .XXXX | ±.0005 | MAT'L. | 1 PHASE | FMP | 110405.00 |
| NO. | REVISION | BY & DATE | CHK | ANG | ±1/2" | FINISH | STANDARD | PREV | |
| THIS DRAWING IN DESIGN AND DETAIL IS OUR PROPERTY AND MUST NOT BE USED EXCEPT IN CONNECTION WITH OUR WORK ALL RIGHTS OF DESIGN AND INVENTION ARE RESERVED THIS IS AN ELECTRONICALLY GENERATED DOCUMENT - DO NOT SCALE THIS PRINT | | | | RFP | | CAD FILE | 031754 | SIZE | DRAWING NO. |
| | | | | DIST | | | | A | 031754 |
| | | | | | | | | | REV. |

VIEW FROM OUTSIDE OF MOTOR AT SWITCH END.



| | ROTATION FACING LEAD END | L1 | L2 | JOIN | INSULATE SEPARATELY |
|-----------|--------------------------|----|--------------|--------------|---------------------|
| HIGH VOLT | C.C.W. | P1 | T4 T5 | T2, T3 T8 | P2 |
| | C.W. | P1 | T4 T8 | T2, T3 T5 | P2 |
| LOW VOLT | C.C.W. | P1 | T2, T4 T5 | P2, T3 T8 | -- |
| | C.W. | P1 | T2, T4 T8 | P2, T3 T5 | -- |

| | | | | | | | | | |
|--|--------------------------------------|-----------|----------|-----------------------------|--------------|---|------|-----------------|------|
| | | | | TOLERANCES UNLESS SPECIFIED | |  Regal Beloit America, Inc. | | DRAWN PG 6/8/01 | |
| | | | | DEC. INCHES | | | | CHK | |
| | | | | .X ±.1 | | | | APPD | |
| | | | | .XX ±.01 | | TITLE | | SCALE 1=1 | |
| 02 | CHANGED CAMPANY LOGO ONLY | AS | 11/08/16 | .XXX | ±.005 | EXTERNAL WIRING DIAGRAM TYPE "C" W/PROTECTOR | | REF 005003-01 | |
| 01 | MOVED T5 TO "INSIDE" SWITCH TERMINAL | PG | 8/2/01 | CD | .XXXX ±.0005 | MAT'L. DUAL VOLTAGE - DUAL ROTATION | | FMF 100002 | |
| NO. | REVISION | BY & DATE | CHK | ANG | ±1/2' | FINISH DECAL - 004011 | | PREV | |
| THIS DRAWING IN DESIGN AND DETAIL IS OUR PROPERTY AND MUST NOT BE USED EXCEPT IN CONNECTION WITH OUR WORK ALL RIGHTS OF DESIGN AND INVENTION ARE RESERVED THIS IS AN ELECTRONICALLY GENERATED DOCUMENT - DO NOT SCALE THIS PRINT | | | | RFP | CAD FILE | 00500352 | SIZE | DRAWING NO. | REV. |
| | | | | DIST | | | A | 005003-52 | 02 |

