

PRODUCT INFORMATION PACKET



Model No: C4C17NC26B

Catalog No: 102868.00

..1/4HP..1725RPM.S56C.TENV.115/208-230V.1PH.60HZ.CONT.40C.1.15SF.ROUND.C4C17NC26B.....S56C
PLATFORM MODEL.NOT.....

Totally Enclosed Non-Ventilated (TENV)



Regal and Leeson are trademarks of Regal Beloit Corporation or one of its affiliated companies.

©2018 Regal Beloit Corporation, All Rights Reserved. MC017097E



Product Information Packet: Model No: C4C17NC26B, Catalog No:102868.00
 ..1/4HP..1725RPM.S56C.TENV.115/208-230V.1PH.60HZ.CONT.40C.1.15SF.ROUND.C4C17NC26B.....S56C
 PLATFORM MODEL.NOT.....



Nameplate Specifications

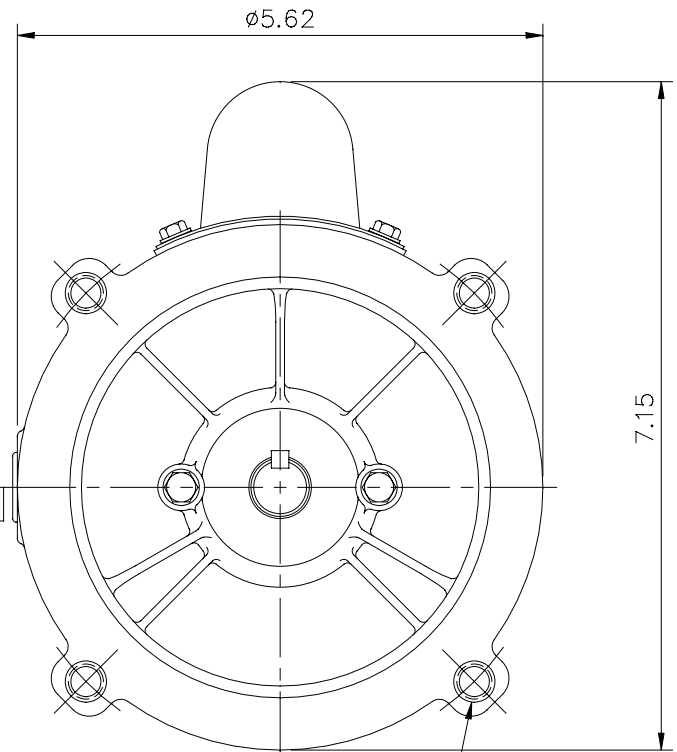
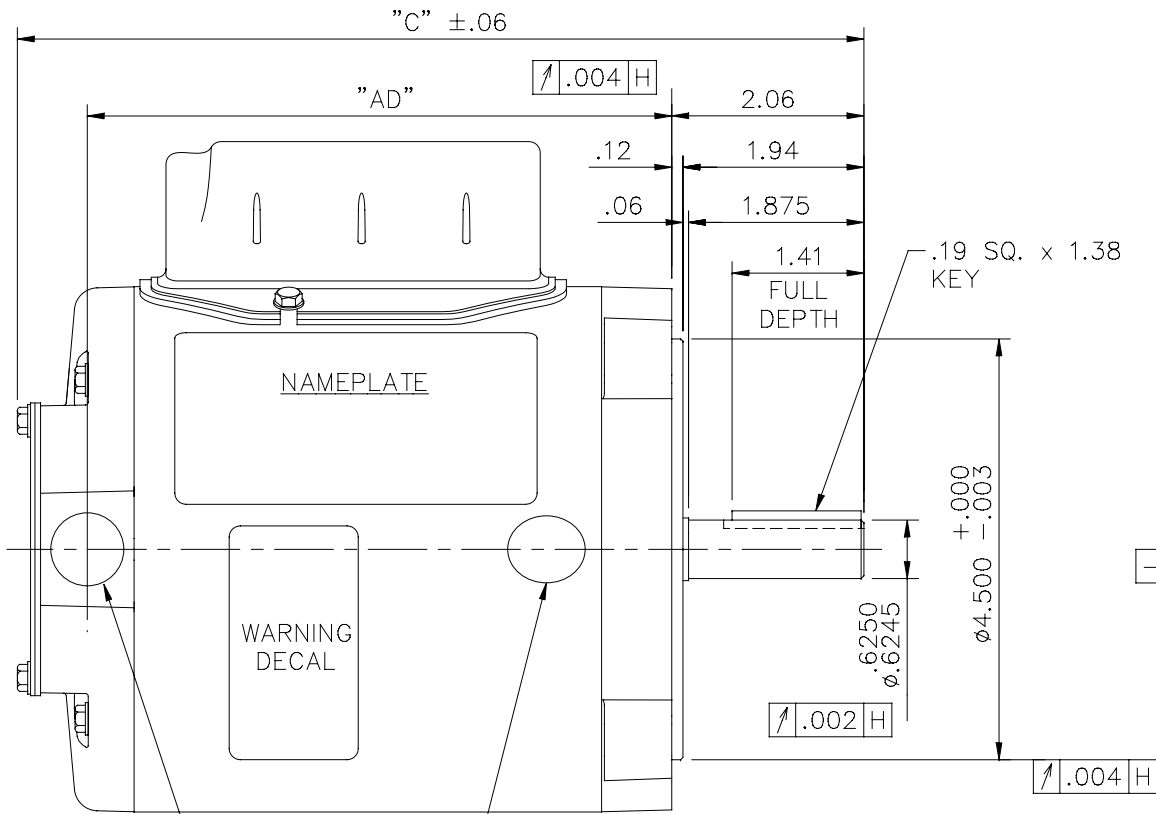
Output HP	0.25 Hp	Output KW	0.19 kW
Frequency	60 Hz	Voltage	115/208-230 V
Current	4.6/2.4-2.3 A	Speed	1725 rpm
Service Factor	1.15	Phase	1
Efficiency	62 %	Duty	Continuous
Insulation Class	B	Design Code	N
KVA Code	N	Frame	S56C
Enclosure	Totally Enclosed Non Ventilated	Overload Protector	No
Ambient Temperature	40 °C	Drive End Bearing Size	6203
Opp Drive End Bearing Size	6203	UL	Recognized
CSA	Y	CE	N
IP Code	43		

Technical Specifications

Electrical Type	Capacitor Start Induction Run	Starting Method	Across The Line
Poles	4	Rotation	Selective Counterclockwise
Mounting	Round	Motor Orientation	HORIZONTAL
Drive End Bearing	BALL	Opp Drive End Bearing	BALL
Frame Material	Rolled Steel	Shaft Type	T
Overall Length	9.80 in	Frame Length	5.75 in
Shaft Diameter	0.625 in	Shaft Extension	1.88 in
Assembly/Box Mounting	F1 ONLY		
Outline Drawing	031754-575	Connection Diagram	005005.44

This is an uncontrolled document once printed or downloaded and is subject to change without notice. Date Created: 10/15/2018

031754




1/2-14 NPT
CONDUIT HOLE
(PLUGGED)

EFF. DECAL
(WHEN REQUIRED)

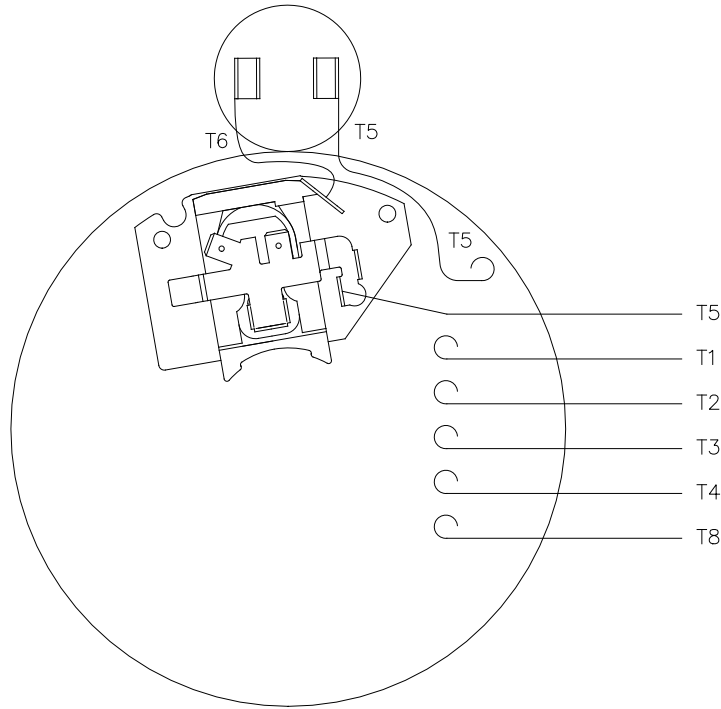
GASKETS THROUGHOUT

DASH NO.	"C"	"AD"
475	8.80	6.00
500	9.05	6.25
525	9.30	6.50
550	9.55	6.75
575	9.80	7.00
600	10.05	7.25
625	10.30	7.50
650	10.55	7.75
675	10.80	8.00
700	11.05	8.25

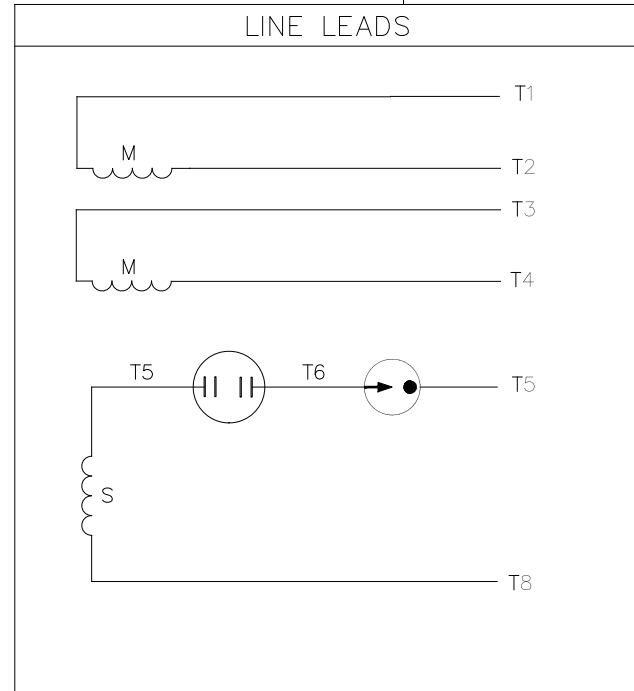
3/8-16 UNC 2B TAP x .56 DEEP
(4) REQ'D. ON A ø5.875 B.C.

				TOLERANCES UNLESS SPECIFIED		 ELECTRIC MOTORS GEARMOTORS AND DRIVES		DRAWN PG 10/27/03	
				DEC. INCHES				CHK	
				.X ±.1		TITLE OUTLINE - S56C FRAME "C" FACE MOUNT - ENCLOSED		APPD	
				.XX ±.03				SCALE 1=2	
				.XXX ±.005				REF 031727	
A	UPDATED WITH CAP BOX, WARNING DECAL & EFF DECAL	SL 10/08/15	VS	.XXXX	±.0005	MAT'L. 1 PHASE		FMF 110405.00	
NO.	REVISION	BY & DATE	CHK	ANG	±1/2"	FINISH STANDARD		PREV	
THIS DRAWING IN DESIGN AND DETAIL IS OUR PROPERTY AND MUST NOT BE USED EXCEPT IN CONNECTION WITH OUR WORK ALL RIGHTS OF DESIGN AND INVENTION ARE RESERVED THIS IS AN ELECTRONICALLY GENERATED DOCUMENT - DO NOT SCALE THIS PRINT				RFP		CAD FILE 031754		DRAWING NO. 031754	
				DIST		SIZE A		REV.	

005005-44



VIEW FROM OUTSIDE OF MOTOR AT SWITCH END



	ROTATION FACING LEAD END	L1	L2	JOIN
HIGH VOLT	C.C.W.	T1	T4, T5	T2, T3 T8
	C.W.	T1	T4, T8	T2, T3 T5
LOW VOLT	C.C.W.	T1 T3, T8	T2, T4 T5	
	C.W.	T1 T3, T5	T2, T4 T8	

				TOLERANCES UNLESS OTHERWISE SPECIFIED			DRAWN PG 5/7/01		TITLE EXTERNAL WIRING DIAGRAM TYPE "C" W/O PROTECTOR		
				DEC.	INCHES	METRIC	APPR.		MAT'L. DUAL VOLTAGE - DUAL ROTATION		
01	MOVED T5 TO "INSIDE" SWITCH TERMINAL	PG 8/2/01		.X	±.1	±2.5	R.F.P.		FINISH		
NO.	REVISION	BY & DATE	CH'K'D.	.XX	±.01	±.25	SCALE 5=8		REV. 01	DRAWING NO. 005005-44	
THIS DRAWING IN DESIGN AND DETAIL IS OUR PROPERTY AND MUST NOT BE USED EXCEPT IN CONNECTION WITH OUR WORK ALL RIGHTS OF DESIGN AND INVENTION ARE RESERVED THIS IS AN ELECTRONICALLY GENERATED DOCUMENT - DO NOT SCALE THIS PRINT				FRACTIONS	±1/64		REF. 005005-01	FMF 100006			
				ANGLES	±1/2'						

REGAL™ Regal Beloit America, Inc.

