

PRODUCT INFORMATION PACKET



Model No: C4C17NC25B

Catalog No: 102867.00

..1/3HP..1725RPM.S56C.TENV.115/208-230V.1PH.60HZ.CONT.40C.1.15SF.ROUND.C4C17NC25B.....S56C
PLATFORM MODEL.NOT.....

Totally Enclosed Non-Ventilated (TENV)



Regal and Leeson are trademarks of Regal Beloit Corporation or one of its affiliated companies.

©2018 Regal Beloit Corporation, All Rights Reserved. MC017097E





Nameplate Specifications

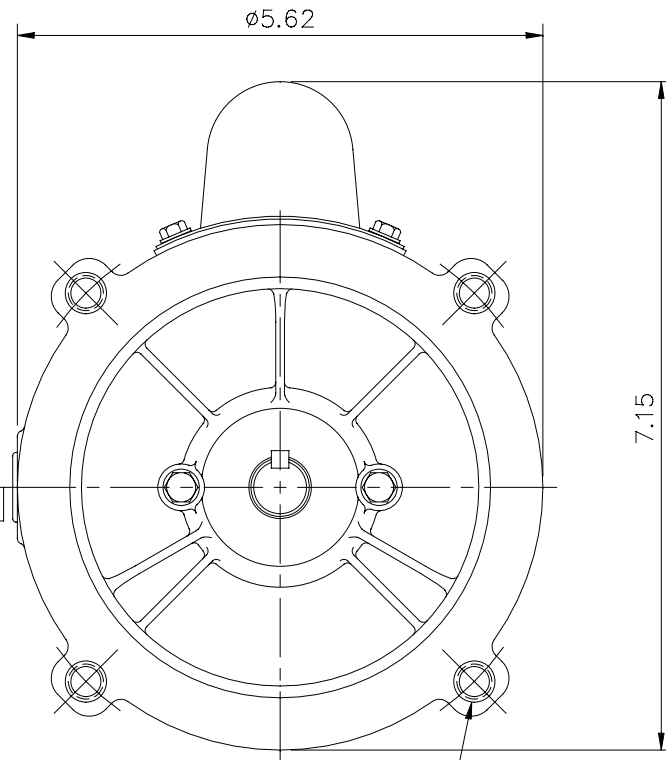
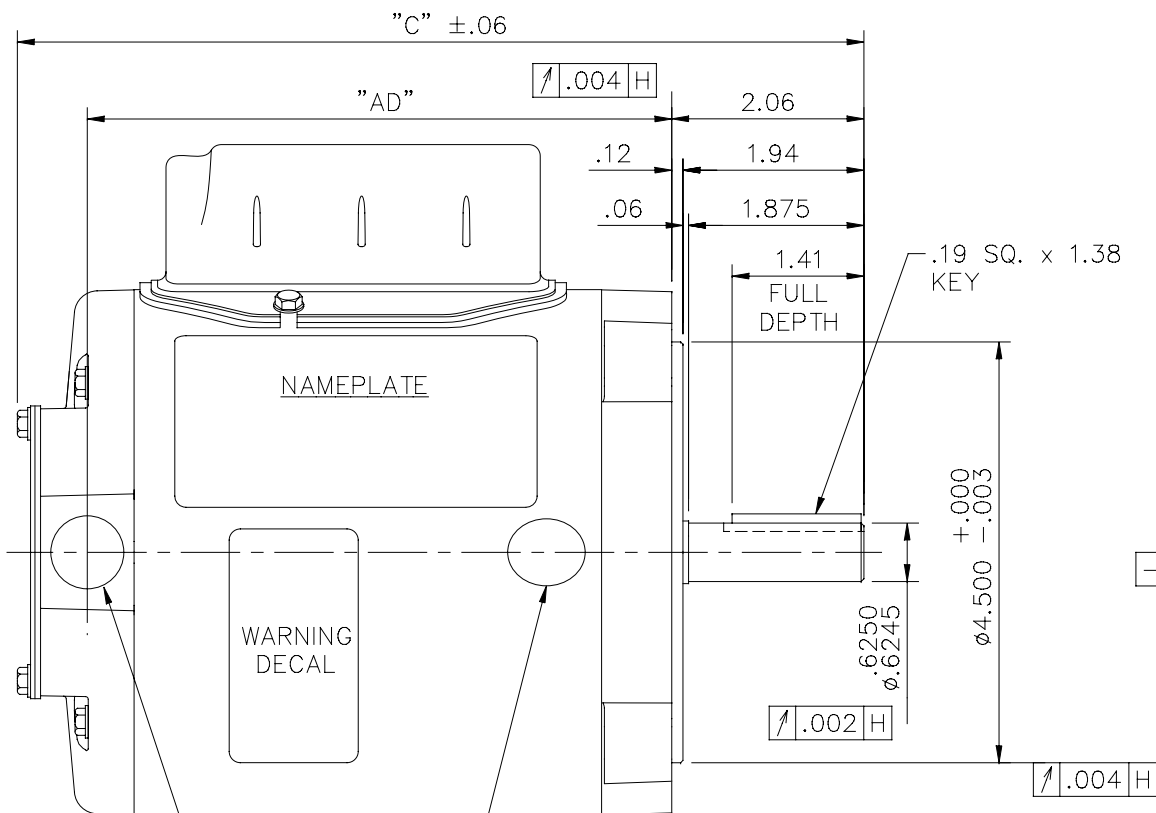
Output HP	0.33 Hp	Output KW	0.25 kW
Frequency	60 Hz	Voltage	115/208-230 V
Current	5.2/2.6 A	Speed	1725 rpm
Service Factor	1.15	Phase	1
Efficiency	65 %	Duty	Continuous
Insulation Class	F	Design Code	N
KVA Code	J	Frame	S56C
Enclosure	Totally Enclosed Non Ventilated	Overload Protector	No
Ambient Temperature	40 °C	Drive End Bearing Size	6203
Opp Drive End Bearing Size	6203	UL	Recognized
CSA	Y	CE	N
IP Code	43		

Technical Specifications

Electrical Type	Capacitor Start Induction Run	Starting Method	Across The Line
Poles	4	Rotation	Selective Counterclockwise
Mounting	Round	Motor Orientation	HORIZONTAL
Drive End Bearing	BALL	Opp Drive End Bearing	BALL
Frame Material	Rolled Steel	Shaft Type	T
Overall Length	10.30 in	Frame Length	6.25 in
Shaft Diameter	0.625 in	Shaft Extension	1.88 in
Assembly/Box Mounting	F1 ONLY		
Outline Drawing	031754-625	Connection Diagram	005005.44

This is an uncontrolled document once printed or downloaded and is subject to change without notice. Date Created: 10/15/2018

031754




1/2-14 NPT
CONDUIT HOLE
(PLUGGED)

EFF. DECAL
(WHEN REQUIRED)

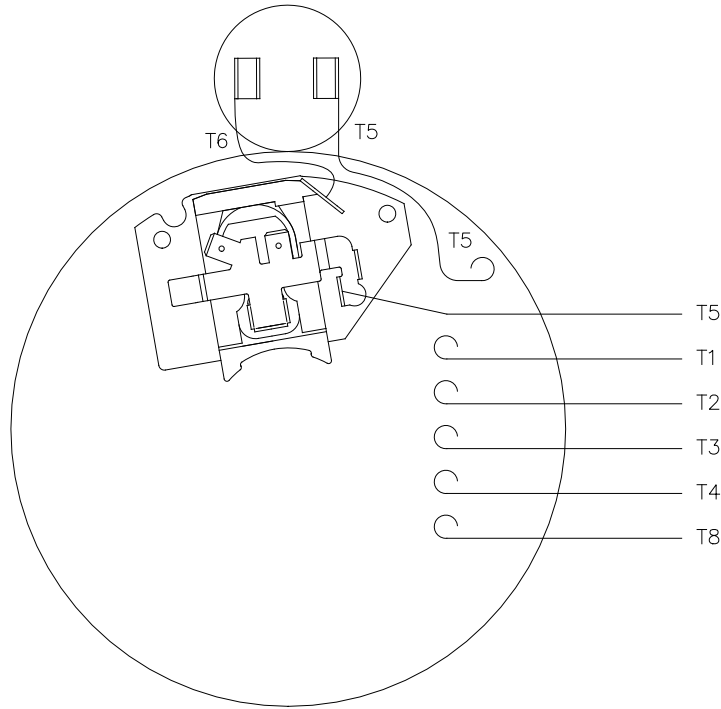
GASKETS THROUGHOUT

DASH NO.	"C"	"AD"
475	8.80	6.00
500	9.05	6.25
525	9.30	6.50
550	9.55	6.75
575	9.80	7.00
600	10.05	7.25
625	10.30	7.50
650	10.55	7.75
675	10.80	8.00
700	11.05	8.25

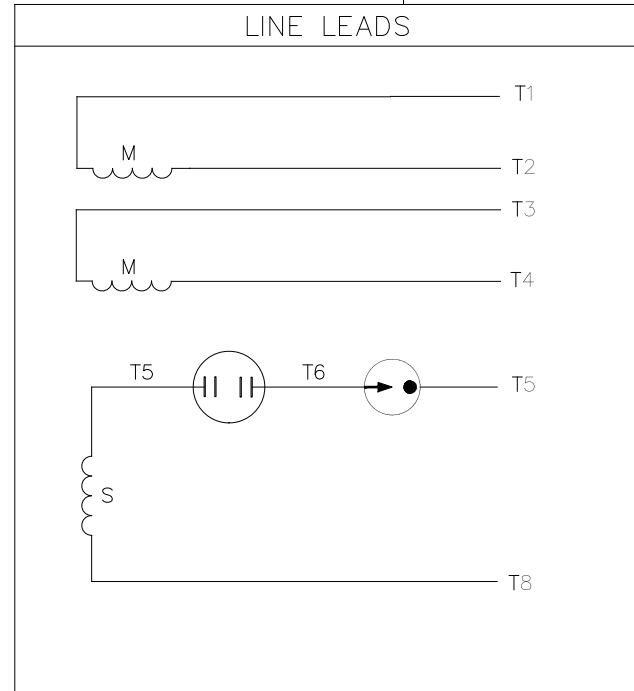
3/8-16 UNC 2B TAP x .56 DEEP
(4) REQ'D. ON A ø5.875 B.C.

				TOLERANCES UNLESS SPECIFIED		 ELECTRIC MOTORS GEARMOTORS AND DRIVES		DRAWN PG 10/27/03			
				DEC.	INCHES			CHK			
				.X	±.1	APPD					
				.XX	±.03	TITLE		SCALE	1=2		
				.XXX	±.005	OUTLINE - S56C FRAME "C" FACE MOUNT - ENCLOSED		REF	031727		
A	UPDATED WITH CAP BOX, WARNING DECAL & EFF DECAL	SL	10/08/15	VS	.XXXX	±.0005	MAT'L.	1 PHASE	FMF	110405.00	
NO.	REVISION	BY & DATE	CHK	ANG	±1/2"	FINISH	STANDARD	PREV			
THIS DRAWING IN DESIGN AND DETAIL IS OUR PROPERTY AND MUST NOT BE USED EXCEPT IN CONNECTION WITH OUR WORK ALL RIGHTS OF DESIGN AND INVENTION ARE RESERVED THIS IS AN ELECTRONICALLY GENERATED DOCUMENT - DO NOT SCALE THIS PRINT				RFP	CAD FILE			031754	SIZE	DRAWING NO.	REV.
				DIST				A	031754		

005005-44



VIEW FROM OUTSIDE OF MOTOR AT SWITCH END



	ROTATION FACING LEAD END	L1	L2	JOIN
HIGH VOLT	C.C.W.	T1	T4, T5	T2, T3 T8
	C.W.	T1	T4, T8	T2, T3 T5
LOW VOLT	C.C.W.	T1 T3, T8	T2, T4 T5	
	C.W.	T1 T3, T5	T2, T4 T8	

				TOLERANCES UNLESS OTHERWISE SPECIFIED			Regal Beloit America, Inc.	
				DEC.	INCHES	METRIC		
				.X	±.1	±2.5	DRAWN PG 5/7/01	TITLE EXTERNAL WIRING DIAGRAM TYPE "C" W/O PROTECTOR
				.XX	±.01	±.25	APPR.	MAT'L. DUAL VOLTAGE - DUAL ROTATION
01	MOVED T5 TO "INSIDE" SWITCH TERMINAL	PG 8/2/01		.XXX	±.005	±.127	R.F.P.	
NO.	REVISION	BY & DATE	CH'K'D.	.XXXX	±.0005	±.0127	SCALE 5=8	
THIS DRAWING IN DESIGN AND DETAIL IS OUR PROPERTY AND MUST NOT BE USED EXCEPT IN CONNECTION WITH OUR WORK ALL RIGHTS OF DESIGN AND INVENTION ARE RESERVED THIS IS AN ELECTRONICALLY GENERATED DOCUMENT - DO NOT SCALE THIS PRINT				FRACTIONS	±1/64		REF. 005005-01	FINISH
				ANGLES	±1/2'		FMF 100006	REV. 01
								DRAWING NO. 005005-44

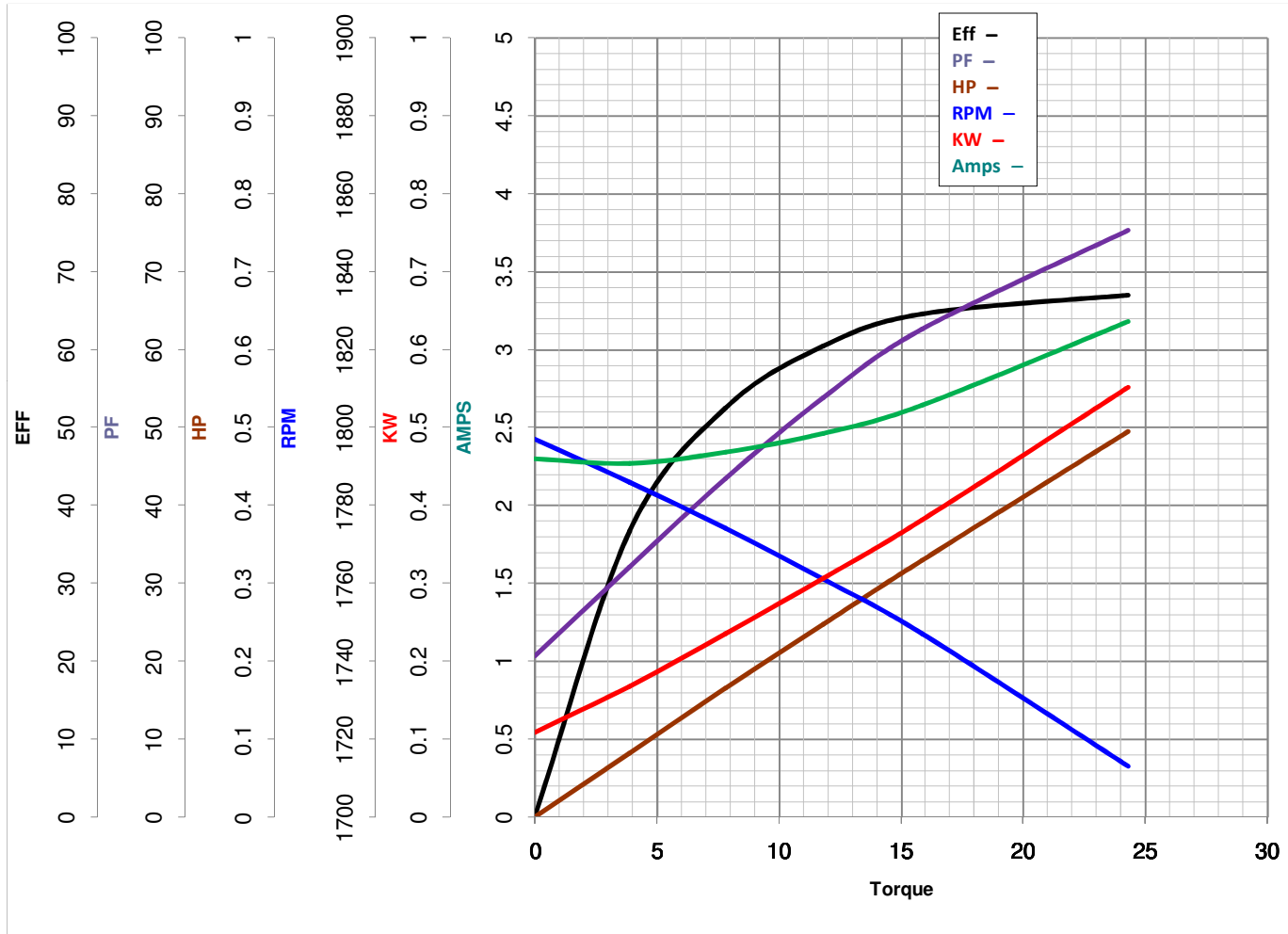


LEESON ELECTRIC CORPORATION
 TYPICAL PERFORMANCE CURVE for AC MOTOR

Model No 102867.00

Catalog No 102867.00

Curve at 230 Volts HP 0.34 PHASE 1
60 HZ
0.33 HP VOLTS 115/208-230
 HZ 60 RPM 1725



Torque in Oz.Ft

FL TORQUE 15.87 Oz.Ft
 BD TORQUE 44.2 Oz.Ft
 LR TORQUE 60.7 Oz.Ft

FL AMPS 5.2/2.6
 PU TORQUE 51.6 Oz.Ft
 LR AMPS 11.4

WINDING CE484255-3

Date 3/22/2018