

PRODUCT INFORMATION PACKET



Model No: M4C17FC33B

Catalog No: 102865.00

1/2HP..1725RPM.S56C.TEFC.115/208-230V.1PH.60HZ.CONT.40C.1.15SF.ROUND.M4C17FC33B.....S56C
PLATFORM MODEL.MANUAL.....

Totally Enclosed Fan Cooled (TEFC)



Regal and Leeson are trademarks of Regal Beloit Corporation or one of its affiliated companies.

©2018 Regal Beloit Corporation, All Rights Reserved. MC017097E





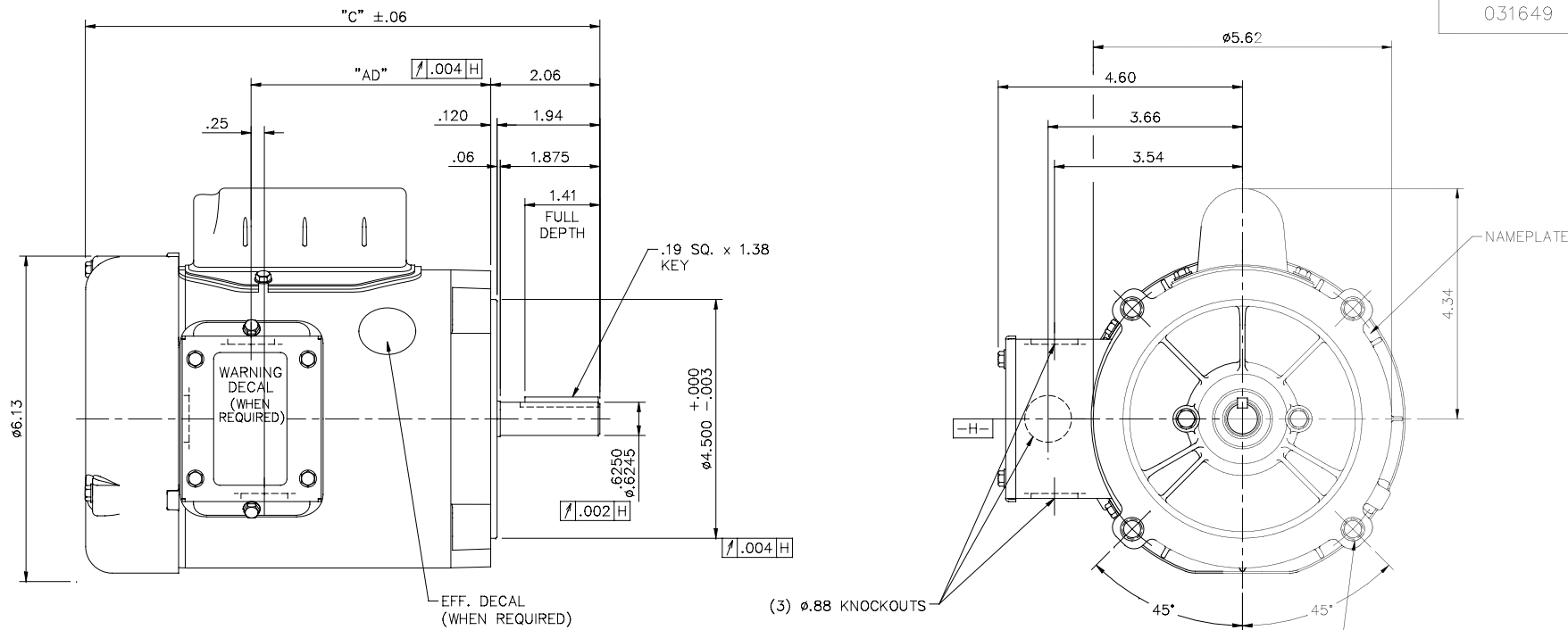
Nameplate Specifications

Output HP	0.50 Hp	Output KW	0.37 kW
Frequency	60 Hz	Voltage	115/208-230 V
Current	8.0/3.8-4.0 A	Speed	1725 rpm
Service Factor	1.15	Phase	1
Efficiency	66 %	Duty	Continuous
Insulation Class	F	Design Code	NO DESIGN CODE
KVA Code	L	Frame	56C
Enclosure	Totally Enclosed Fan Cooled	Overload Protector	Manual
Ambient Temperature	40 °C	Drive End Bearing Size	6203
Opp Drive End Bearing Size	6203	UL	Recognized
CSA	Y	CE	Y
IP Code	43		

Technical Specifications

Electrical Type	Capacitor Start Induction Run	Starting Method	Across The Line
Poles	4	Rotation	Selective Counterclockwise
Mounting	Round	Motor Orientation	HORIZONTAL
Drive End Bearing	BALL	Opp Drive End Bearing	BALL
Frame Material	Rolled Steel	Shaft Type	T
Overall Length	10.69 in	Frame Length	6.00 in
Shaft Diameter	0.625 in	Shaft Extension	1.88 in
Assembly/Box Mounting	F1 ONLY		
Outline Drawing	031649-600	Connection Diagram	005003.52

This is an uncontrolled document once printed or downloaded and is subject to change without notice. Date Created: 10/15/2018



DASH NO.	"C"	"AD"
475	9.44	4.25
500	9.69	4.50
525	9.94	4.75
550	10.19	5.00
575	10.44	5.25
600	10.69	5.50
625	10.94	5.75
650	11.19	6.00
675	11.44	6.25
700	11.69	6.50
725	11.94	6.75
750	12.19	7.00

GASKETS THROUGHOUT

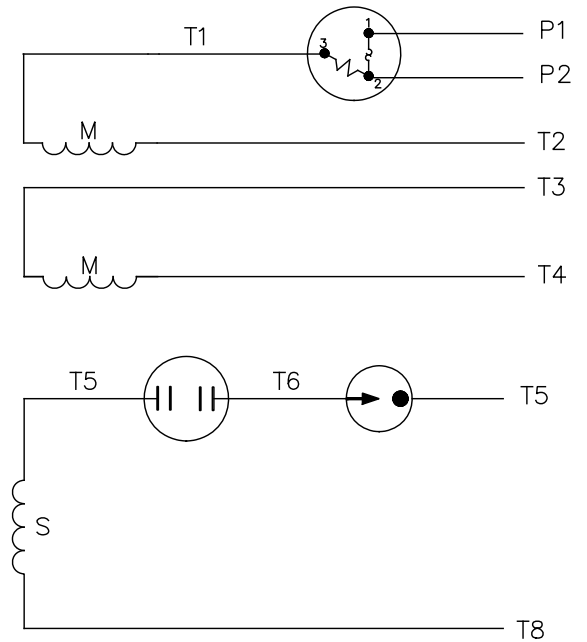
ORACLE	004
REV	

		TOLERANCES UNLESS SPECIFIED		ELECTRIC MOTORS GEARMOTORS AND DRIVES		DRAWN PG 9/24/01	
		DEC.	INCHES	LEESON		CHK	
K	ADDED (WHEN REQ'D) TO WARNING DECAL ECO 0086600	GWS	10/7/15	.X	±.1		
J	ADDED WARNING DECAL	SL	09/30/15	.XX	±.03	TITLE	SCALE 1=2
H	ADDED DASH NO. 475 (102866.00)	PG	10/28/03	.XXX	±.005	"C" FACE MOUNT - TEFC	REF 030521
G	REVISED CALLOUT FOR GD&T	KMM	6/6/02	.XXXX	±.0005	MAT'L.	1 PHASE
NO.	REVISION	BY & DATE	CHK	ANG	±1/2"	FINISH	PREV
THIS DRAWING IN DESIGN AND DETAIL IS OUR PROPERTY AND MUST NOT BE USED EXCEPT IN CONNECTION WITH OUR WORK ALL RIGHTS OF DESIGN AND INVENTION ARE RESERVED THIS IS AN ELECTRONICALLY GENERATED DOCUMENT - DO NOT SCALE THIS PRINT				RFP		CAD FILE	031649
				DIST		SIZE	DRAWING NO.
						B	031649
							REV. K

VIEW FROM OUTSIDE OF MOTOR AT SWITCH END.



LINE LEADS



	ROTATION FACING LEAD END	L1	L2	JOIN	INSULATE SEPARATELY
HIGH VOLT	C.C.W.	P1	T4 T5	T2, T3 T8	P2
	C.W.	P1	T4 T8	T2, T3 T5	P2
LOW VOLT	C.C.W.	P1	T2, T4 T5	P2, T3 T8	--
	C.W.	P1	T2, T4 T8	P2, T3 T5	--

		TOLERANCES UNLESS SPECIFIED		REGAL™ Regal Beloit America, Inc.		DRAWN PG 6/8/01			
		DEC.	INCHES			CHK			
		.X	±.1			APPD			
		.XX	±.01	TITLE		SCALE 1=1			
02	CHANGED CAMPANY LOGO ONLY	AS	11/08/16	.XXX	±.005	REF 005003-01			
01	MOVED T5 TO "INSIDE" SWITCH TERMINAL	PG	8/2/01	CD	.XXXX ±.0005	FMF 100002			
NO.	REVISION	BY & DATE	CHK	ANG	±1/2"	PREV			
THIS DRAWING IN DESIGN AND DETAIL IS OUR PROPERTY AND MUST NOT BE USED EXCEPT IN CONNECTION WITH OUR WORK ALL RIGHTS OF DESIGN AND INVENTION ARE RESERVED THIS IS AN ELECTRONICALLY GENERATED DOCUMENT - DO NOT SCALE THIS PRINT				RFP	CAD FILE	00500352	SIZE	DRAWING NO.	REV.
				DIST			A	005003-52	02

