

PRODUCT INFORMATION PACKET



Model No: C4T17NC47A

Catalog No: 102863.00

...1/3HP..1725RPM.S56C.TENV.208-230/460V.3PH.60HZ.CONT.40C.1.15SF.ROUND.C4T17NC47A.....S56C
PLATFORM MODEL.NOT.....

Totally Enclosed Non-Ventilated (TENV)



Regal and Leeson are trademarks of Regal Beloit Corporation or one of its affiliated companies.

©2018 Regal Beloit Corporation, All Rights Reserved. MC017097E





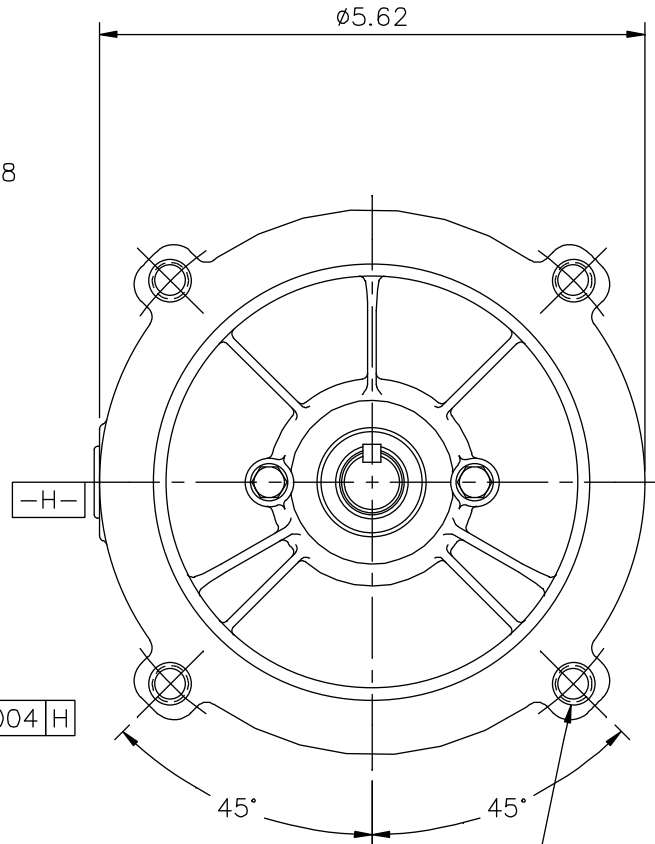
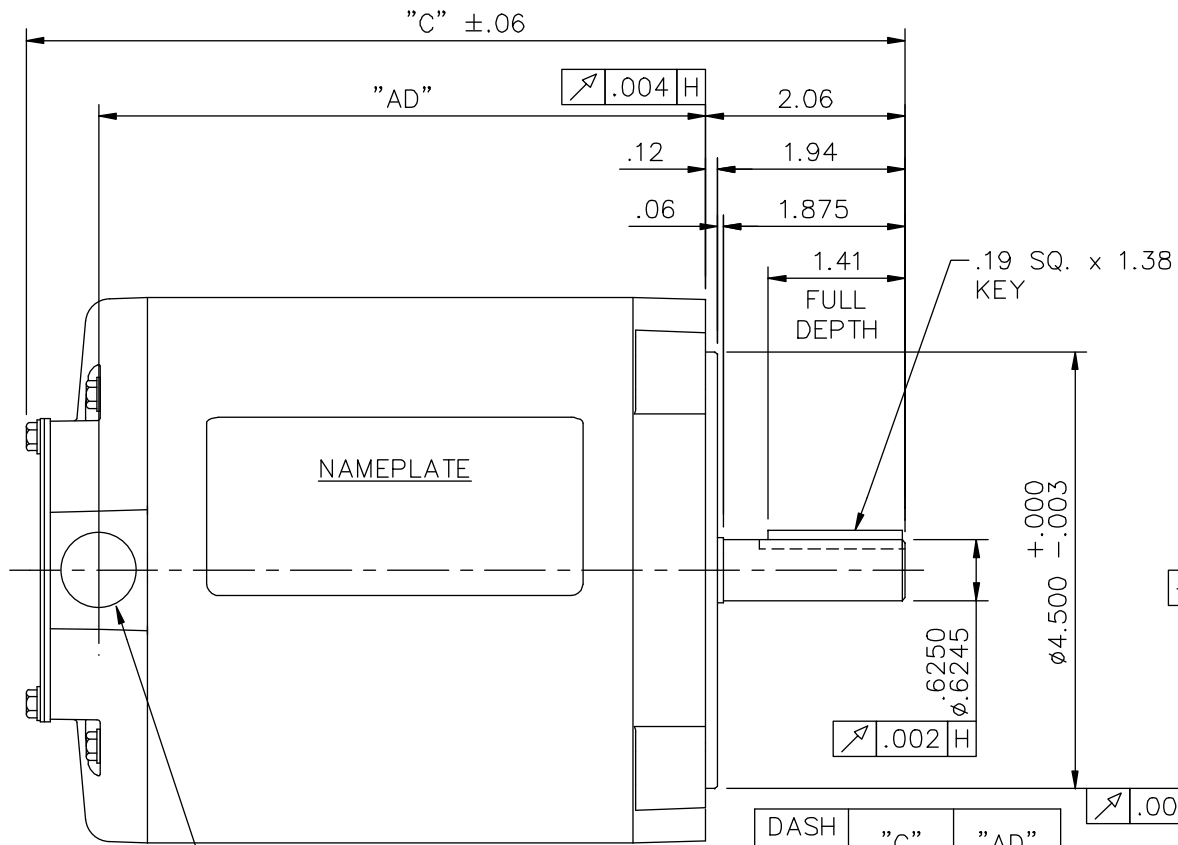
Nameplate Specifications

Output HP	0.33 Hp	Output KW	0.25 kW
Frequency	60 Hz	Voltage	208-230/460 V
Current	1.3/0.65 A	Speed	1725 rpm
Service Factor	1.15	Phase	3
Efficiency	77 %	Duty	Continuous
Insulation Class	B	Design Code	B
KVA Code	M	Frame	S56C
Enclosure	Totally Enclosed Non Ventilated	Overload Protector	No
Ambient Temperature	40 °C	Drive End Bearing Size	6203
Opp Drive End Bearing Size	6203	UL	Recognized
CSA	Y	CE	N
IP Code	43		

Technical Specifications

Electrical Type	Squirrel Cage Induction Run	Starting Method	Across The Line
Poles	4	Rotation	Reversible
Mounting	Round	Motor Orientation	HORIZONTAL
Drive End Bearing	BALL	Opp Drive End Bearing	BALL
Frame Material	Rolled Steel	Shaft Type	T
Overall Length	9.56 in	Frame Length	5.50 in
Shaft Diameter	0.625 in	Shaft Extension	1.88 in
Assembly/Box Mounting	F1 ONLY		
Outline Drawing	031654-550	Connection Diagram	005010.01

This is an uncontrolled document once printed or downloaded and is subject to change without notice. Date Created: 10/15/2018



3/8-16 UNC 2B TAP x .56 DEEP
(4) REQ'D. ON A Ø5.875 B.C.

GASKETS THROUGHOUT

DASH NO.	"C"	"AD"
450	8.56	5.75
475	8.81	6.00
500	9.06	6.25
525	9.31	6.50
550	9.56	6.75
575	9.81	7.00
600	10.06	7.25
625	10.31	7.50
650	10.56	7.75
675	10.81	8.00
750	11.56	8.75



ELECTRIC MOTORS
GEARMOTORS
AND DRIVES

DRAWN	PG 9/28/01
CHK	
APPD	
SCALE	1=2
REF	031078
FMF	101648
PREV	

TITLE
OUTLINE - S56C FRAME
"C" FACE MOUNT - TENV
MAT'L.
3 PHASE

		TOLERANCES UNLESS SPECIFIED	
		DEC.	INCHES
		.X	±.1
		.XX	±.03
		.XXX	±.005
01	REVISED CALLOUT FOR GD&T	.XXXX	±.0005
NO.	REVISION	BY & DATE	CHK ANG
			±1/2'

THIS DRAWING IN DESIGN AND DETAIL IS OUR PROPERTY AND MUST NOT BE USED EXCEPT IN CONNECTION WITH OUR WORK ALL RIGHTS OF DESIGN AND INVENTION ARE RESERVED THIS IS AN ELECTRONICALLY GENERATED DOCUMENT - DO NOT SCALE THIS PRINT

RFP	CAD FILE	031654	SIZE	DRAWING NO.	REV.
DIST			A	031654	01

005010-01

VIEW FROM OUTSIDE OF MOTOR AT SWITCH END.



VOLTAGE	L1	L2	L3	JOIN & INSULATE
HIGH	T1	T2	T3	(T4,T7) (T5,T8) (T6,T9)
LOW	T1,T7	T2,T8	T3,T9	T4,T5,T6

				TOLERANCES UNLESS SPECIFIED		Regal Beloit America, Inc.		DRAWN RDW 04/12/02			
				DEC.	INCHES			CHK			
				.X	±.1			APPD			
				.XX	±.01			SCALE 1=1			
				.XXX	±.005	TITLE		REF FIG.2-51			
A	UPDATED TO REGAL LOGO	SAJ 06/26/15	AJY	.XXXX	±.0005	MAT'L.		FMF			
NO.	REVISION	BY & DATE	CHK	ANG	±1/2"	FINISH		PREV			
THIS DRAWING IN DESIGN AND DETAIL IS OUR PROPERTY AND MUST NOT BE USED EXCEPT IN CONNECTION WITH OUR WORK ALL RIGHTS OF DESIGN AND INVENTION ARE RESERVED THIS IS AN ELECTRONICALLY GENERATED DOCUMENT - DO NOT SCALE THIS PRINT				RFP	04/12/02	CAD FILE		00501001	SIZE	DRAWING NO.	REV.
				DIST		BRF-NLV		A	005010-01	A	



CERTIFICATION DATA SHEET

1051 CHEYENNE AVE.
 GRAFTON, WI 53024
 PH. 262-377-8810

CATALOG #: 102863.00

CONN. DIAGRAM: 005010.01

MOUNTING: F1 ONLY

OUTLINE: 031654-550

WINDING #: TE48462 NR 3 B

TYPICAL MOTOR PERFORMANCE DATA

HP	KW	SYNC. RPM	F.L. RPM	FRAME	ENCLOSURE	KVA CODE	DESIGN
1/3	0.25	1800	1725	S56C	TENV	M	B
PH	Hz	VOLTS	AMPS	START TYPE	DUTY	INSL	S.F. AMB°C
3	60	208-230/460	1.3/.65	ACROSS THE LINE	CONTINUOUS	B3	1.15 40

FULL LOAD EFF:	77	3/4 LOAD EFF:	75.1	1/2 LOAD EFF:	68.3	GTD. EFF	ELEC. TYPE
FULL LOAD PF:	60	3/4 LOAD PF:	50.2	1/2 LOAD PF:	38.7	0	SQ CAGE IND RUN
F.L. TORQUE	LOCKED ROTOR AMPS	L.R. TORQUE	B.D. TORQUE	F.L. RISE°C			
16 OZ-FT	9.3 / 4.6	78.6 OZ-FT	0 %	90.4 OZ-FT	0 %		

SOUND PRESSURE @ 3 FT.	SOUND POWER	ROTOR WK^2	MAX. WK^2	SAFE STALL TIME	STARTS / HOUR	APPROX. MOTOR WGT
- DBA	- DBA	0.044 LB-FT^2	- LB-FT^2	10 SEC.	-	0 LBS.

*** SUPPLEMENTAL INFORMATION ***

DE BRACKET TYPE	ODE BRACKET TYPE	MOUNT TYPE	ORIENTATION	SEVERE DUTY	HAZARDOUS LOCATION	DRIP COVER	SCREENS	PAINT
C-FACE	STANDARD	ROUND	HORIZONTAL	FALSE	NONE	FALSE	NONE	BLUE - LEESON (ENAMEL)
BEARINGS DE ODE	GREASE	SHAFT TYPE	SPECIAL DE	SPECIAL ODE	SHAFT MATERIAL	FRAME MATERIAL		
BALL BALL	MULTEMP SRL	T	NONE	NONE	1144 STRESSPROOF (C-223)	ROLLED STEEL		

THERMO-PROTECTORS				THERMISTORS				CONTROL		SPACE HEATERS	
THERMOSTATS	PROTECTORS	WDG RTDS	BRG RTDS								
NONE	NOT	NONE	NONE	NONE	NONE	FALSE	NONE	NONE	NONE	VOLTS	

* N

INVERTER TORQUE: NONE
 INV. HP SPEED RANGE: NONE

O

ENCODER: NONE
 NONE NONE
 NONE NONE PPR

T

BRAKE: NONE NONE

E

NONE P/N NONE

S

FT-LB NONE V NONE HZ

Date: 1/18/2018

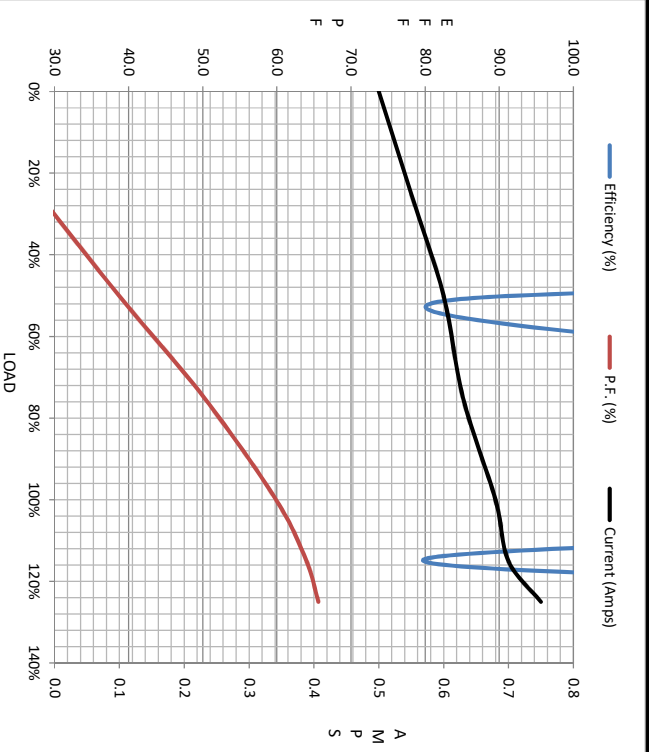
102863.00



Data @ 460 V

Motor Load Data						
Load	0%	25%	50%	75%	100%	LR
Current (Amps)	0.50	0.55	0.60	0.63	0.68	4.6
Torque (ft-lb)	0.00	64.6	129	194	258	1,270
RPM	1800	1787	1778	1763	1750	0
Efficiency (%)		886.9	92.1	202.0	235.1	79.8
P.F. (%)	15.1	27.8	38.7	50.2	59.9	65.6

Motor Speed Data						Information Block																										
	LR	Pull-Up	BD	Rated	Idle	HP	Sync. RPM	Frame	Enclosure	Construction	Voltage	Frequency	Design	LR Code letter	Service Factor	Temp Rise @ FL	Duty	Ambient	Elevation	Rotor/Shaft wk²	Ref Wdg	Sound Pressure @ 1M	VFD Rating	Outline Dwg	Conn. Diag	Additional Specifications:	R1	R2	X1	X2	Xm	
Speed (RPM)	0	900	1656	1750	1800	0.3	1800	48	TENV	TTR	208-230/460	60	B	M	1.15	0	CONT	40 °C	1,000 feet	0.04	TE48482 NR	60	dB(A)	NONE	031654-550	005010.01						
Current (Amps)	4.6	4.3	2.78	0.68	0.50																											
Torque (ft-lb)	1,270	1,233	1,460	258	0.00																											



EQUIV CKT (OHMS / PHASE)			
R1	R2	X1	Xm
0.0000	0.0000	0.0000	0.0000

