

# PRODUCT INFORMATION PACKET



Model No: C4C17FC32B

Catalog No: 102862.00

1/2HP..1725RPM.S56C.TEFC.115/208-230V.1PH.60HZ.CONT.40C.1.15SF.ROUND.C4C17FC32B.....S56C  
PLATFORM MODEL.NOT.....

Totally Enclosed Fan Cooled (TEFC)



Regal and Leeson are trademarks of Regal Beloit Corporation or one of its affiliated companies.

©2018 Regal Beloit Corporation, All Rights Reserved. MC017097E



Product Information Packet: Model No: C4C17FC32B, Catalog No:102862.00  
 ..1/2HP..1725RPM.S56C.TEFC.115/208-230V.1PH.60HZ.CONT.40C.1.15SF.ROUND.C4C17FC32B.....S56C  
 PLATFORM MODEL.NOT.....



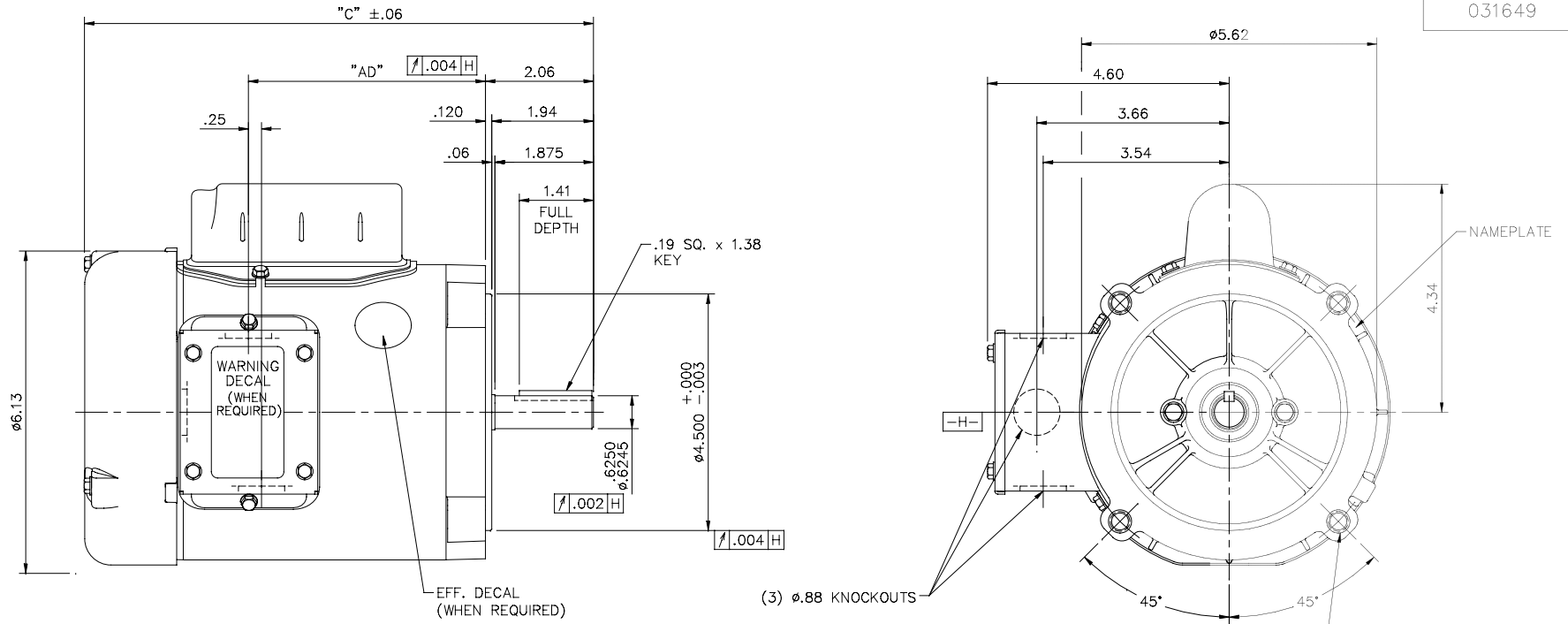
### Nameplate Specifications

Output HP	<b>0.50 Hp</b>	Output KW	<b>0.37 kW</b>
Frequency	<b>60 Hz</b>	Voltage	<b>115/208-230 V</b>
Current	<b>8.0/3.8-4.0 A</b>	Speed	<b>1725 rpm</b>
Service Factor	<b>1.15</b>	Phase	<b>1</b>
Efficiency	<b>66 %</b>	Duty	<b>Continuous</b>
Insulation Class	<b>B</b>	Design Code	<b>O</b>
KVA Code	<b>L</b>	Frame	<b>S56C</b>
Enclosure	<b>Totally Enclosed Fan Cooled</b>	Overload Protector	<b>No</b>
Ambient Temperature	<b>40 °C</b>	Drive End Bearing Size	<b>6203</b>
Opp Drive End Bearing Size	<b>6203</b>	UL	<b>Recognized</b>
CSA	<b>Y</b>	CE	<b>N</b>
IP Code	<b>43</b>		

### Technical Specifications

Electrical Type	<b>Capacitor Start Induction Run</b>	Starting Method	<b>Across The Line</b>
Poles	<b>4</b>	Rotation	<b>Selective Counterclockwise</b>
Mounting	<b>Round</b>	Motor Orientation	<b>HORIZONTAL</b>
Drive End Bearing	<b>BALL</b>	Opp Drive End Bearing	<b>BALL</b>
Frame Material	<b>Rolled Steel</b>	Shaft Type	<b>NEMA 56</b>
Overall Length	<b>10.69 in</b>	Frame Length	<b>6.00 in</b>
Shaft Diameter	<b>0.625 in</b>	Shaft Extension	<b>1.88 in</b>
Assembly/Box Mounting	<b>F1 ONLY</b>		
Outline Drawing	<b>031649-600</b>	Connection Diagram	<b>005005.44</b>

**This is an uncontrolled document once printed or downloaded and is subject to change without notice. Date Created: 10/15/2018**



DASH NO.	"C"	"AD"
475	9.44	4.25
500	9.69	4.50
525	9.94	4.75
550	10.19	5.00
575	10.44	5.25
600	10.69	5.50
625	10.94	5.75
650	11.19	6.00
675	11.44	6.25
700	11.69	6.50
725	11.94	6.75
750	12.19	7.00

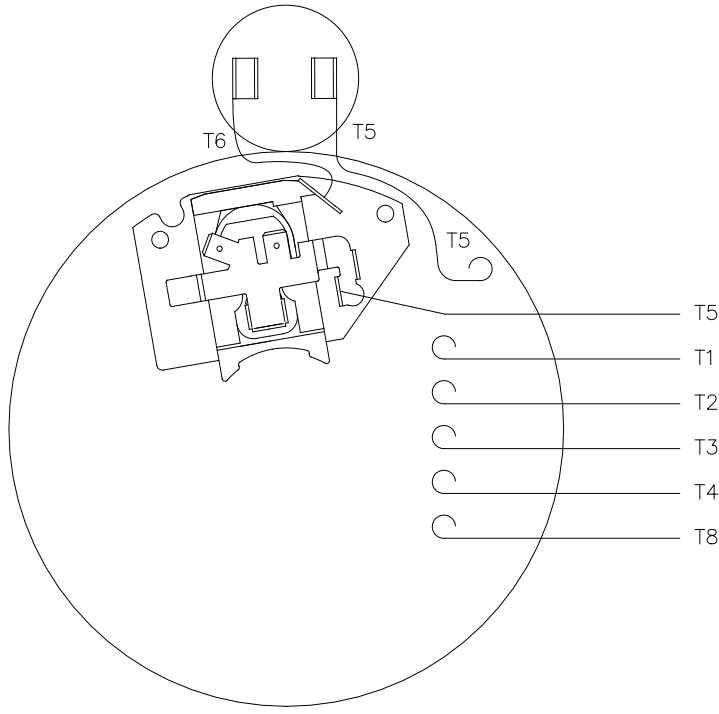
3/8-16 UNC 2B TAP x .56 DEEP  
(4) REQ'D. ON A φ5.875 B.C.

GASKETS THROUGHOUT

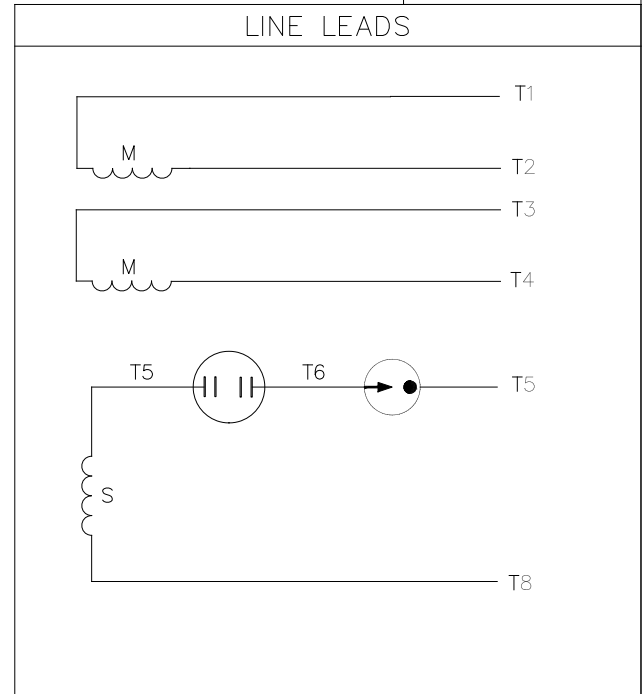
ORACLE	004
REV	

			TOLERANCES UNLESS SPECIFIED		ELECTRIC MOTORS GEARMOTORS AND DRIVES		DRAWN PG 9/24/01	
			DEC.	INCHES			CHK	
K	ADDED (WHEN REQ'D) TO WARNING DECAL ECO 0086600	GWS 10/7/15	.X	±.1			APPD	
J	ADDED WARNING DECAL	SL 09/30/15	.XX	±.03	TITLE	OUTLINE - S56C FRAME		SCALE 1=2
H	ADDED DASH NO. 475 (102866.00)	PG 10/28/03	.XXX	±.005		"C" FACE MOUNT - TEFC		REF 030521
G	REVISED CALLOUT FOR GD&T	KMM 6/6/02	.XXXX	±.0005	MAT'L.	1 PHASE		FMF 101766
NO.	REVISION	BY & DATE	CHK	ANG	±1/2"	FINISH		PREV
THIS DRAWING IN DESIGN AND DETAIL IS OUR PROPERTY AND MUST NOT BE USED EXCEPT IN CONNECTION WITH OUR WORK ALL RIGHTS OF DESIGN AND INVENTION ARE RESERVED THIS IS AN ELECTRONICALLY GENERATED DOCUMENT - DO NOT SCALE THIS PRINT			RFP		CAD FILE	031649	SIZE	DRAWING NO.
			DIST				B	031649
								REV. K


005005-44



VIEW FROM OUTSIDE OF MOTOR AT SWITCH END



	ROTATION FACING LEAD END	L1	L2	JOIN
HIGH VOLT	C.C.W.	T1	T4, T5	T2, T3 T8
	C.W.	T1	T4, T8	T2, T3 T5
LOW VOLT	C.C.W.	T1 T3, T8	T2, T4 T5	
	C.W.	T1 T3, T5	T2, T4 T8	

				TOLERANCES UNLESS OTHERWISE SPECIFIED			 <b>Regal Beloit America, Inc.</b>	
				DEC.	INCHES	METRIC		
				.X	±.1	±2.5	DRAWN PG 5/7/01	TITLE EXTERNAL WIRING DIAGRAM TYPE "C" W/O PROTECTOR
				.XX	±.01	±.25	APPR.	MAT'L. DUAL VOLTAGE - DUAL ROTATION
01	MOVED T5 TO "INSIDE" SWITCH TERMINAL	PG 8/2/01		.XXX	±.005	±.127	R.F.P.	
NO.	REVISION	BY & DATE	CH'K'D.	.XXXX	±.0005	±.0127	SCALE 5=8	
THIS DRAWING IN DESIGN AND DETAIL IS OUR PROPERTY AND MUST NOT BE USED EXCEPT IN CONNECTION WITH OUR WORK ALL RIGHTS OF DESIGN AND INVENTION ARE RESERVED THIS IS AN ELECTRONICALLY GENERATED DOCUMENT - DO NOT SCALE THIS PRINT				FRACTIONS	±1/64		REF. 005005-01	FINISH
				ANGLES	±1/2'		FMF 100006	REV. 01



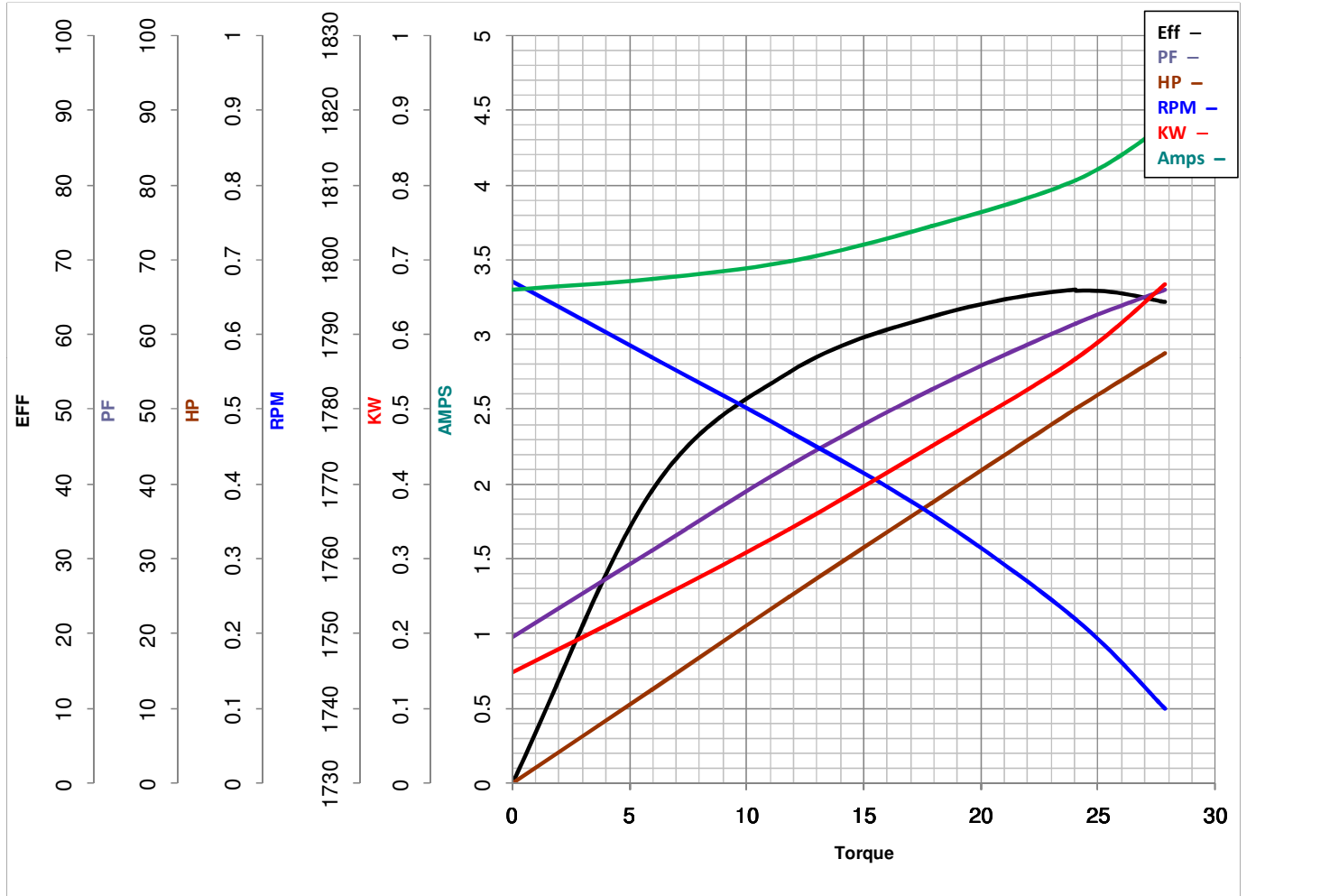
**LEESON ELECTRIC CORPORATION**  
 TYPICAL PERFORMANCE CURVE for AC MOTOR

Model No 102862.00

Catalog No 102862.00

Curve at 230 Volts      HP 0.50      PHASE 1  
60 HZ  
0.5 HP      VOLTS 115/208-230

HZ 60      RPM 1725



Torque in Oz.Ft

FL TORQUE 24.09 Oz.Ft  
 BD TORQUE 64.2 Oz.Ft  
 LR TORQUE 84.1 Oz.Ft

FL AMPS 8/3.8-4  
 PU TORQUE 54.1 Oz.Ft  
 LR AMPS 20.7

WINDING CE484212-3

Date 4/11/2018