

# PRODUCT INFORMATION PACKET



Model No: C4T17FK9 A

Catalog No: 102795.00

1/2HP..1725RPM.48.TEFC.115/230V.3PH.60HZ.CONT.NOT.40C.1.15SF.RIGID..C4T17FK9A  
20:1 Speed Ratio



Regal and Leeson are trademarks of Regal Beloit Corporation or one of its affiliated companies.

©2018 Regal Beloit Corporation, All Rights Reserved. MC017097E





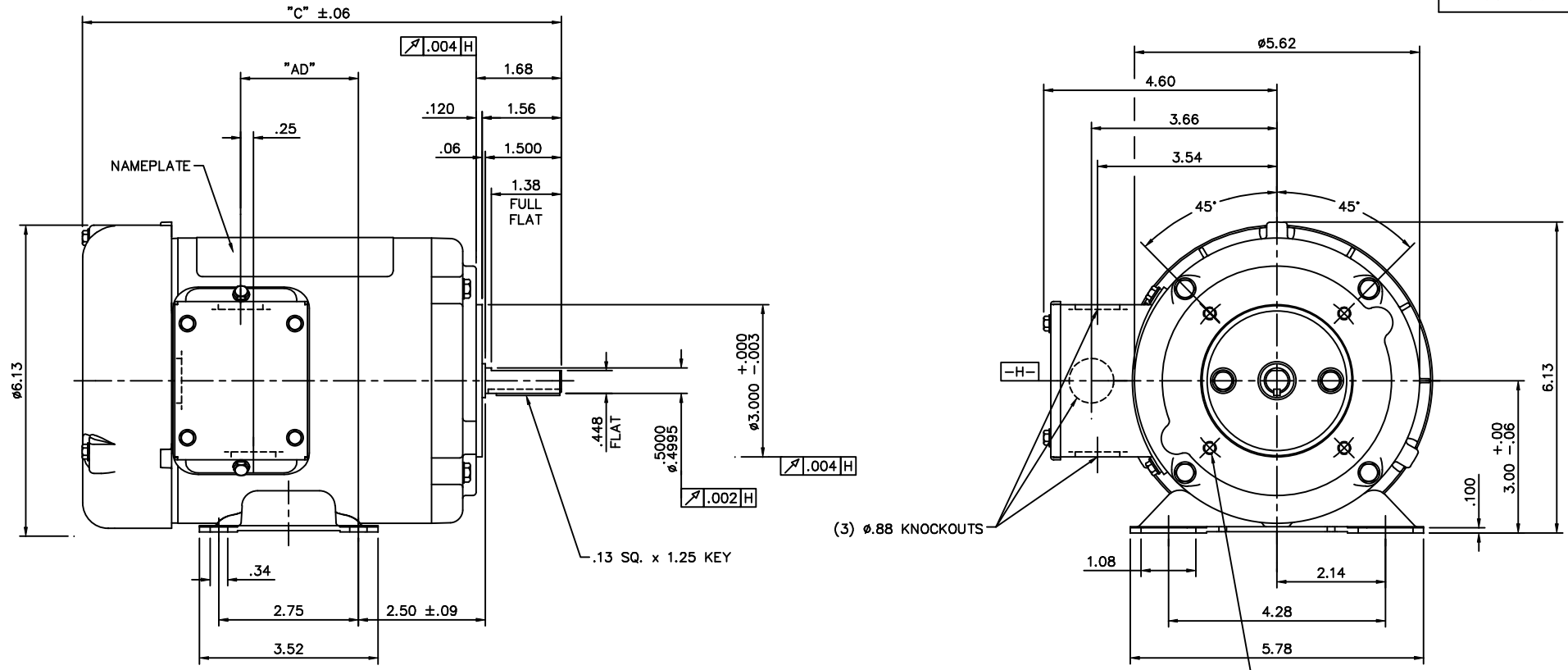
### Nameplate Specifications

Output HP	<b>0.50 Hp</b>	Output KW	<b>0.37 kW</b>
Frequency	<b>60 Hz</b>	Voltage	<b>115/230 V</b>
Current	<b>3.6/1.8 A</b>	Speed	<b>1725 rpm</b>
Service Factor	<b>1.15</b>	Phase	<b>3</b>
Efficiency	<b>77 %</b>	Duty	<b>Continuous</b>
Insulation Class	<b>F</b>	Design Code	<b>NO DESIGN CODE</b>
KVA Code	<b>M</b>	Frame	<b>48C</b>
Enclosure	<b>Totally Enclosed Fan Cooled</b>	Overload Protector	<b>No</b>
Ambient Temperature	<b>40 °C</b>	Drive End Bearing Size	<b>6203</b>
Opp Drive End Bearing Size	<b>6203</b>	UL	<b>Recognized</b>
CSA	<b>Y</b>	CE	<b>N</b>
IP Code	<b>43</b>		

### Technical Specifications

Electrical Type	<b>Squirrel Cage Induction Run</b>	Starting Method	<b>Across The Line</b>
Poles	<b>4</b>	Rotation	<b>Reversible</b>
Mounting	<b>Rigid base</b>	Motor Orientation	<b>HORIZONTAL</b>
Drive End Bearing	<b>BALL</b>	Opp Drive End Bearing	<b>BALL</b>
Frame Material	<b>Rolled Steel</b>	Shaft Type	<b>T</b>
Overall Length	<b>10.19 in</b>	Frame Length	<b>5.75 in</b>
Shaft Diameter	<b>0.500 in</b>	Shaft Extension	<b>1.5 in</b>
Assembly/Box Mounting	<b>F1 ONLY</b>		
Outline Drawing	<b>031730-575</b>	Connection Diagram	<b>005010.01</b>

**This is an uncontrolled document once printed or downloaded and is subject to change without notice. Date Created: 10/15/2018**



DASH NO.	"C"	"AD"
450	8.94	1.81
475	9.19	2.06
500	9.44	2.31
525	9.69	2.56
550	9.94	2.81
575	10.19	3.06
600	10.44	3.31
625	10.69	3.56
650	10.94	3.81
675	11.19	4.06

1/4-20 UNC 2B TAP x .44 DEEP  
(4) REQUIRED ON A φ3.750 B.C.

GASKETS THROUGHOUT

NO.		REVISION		BY & DATE		TOLERANCES UNLESS SPECIFIED		LEESON	ELECTRIC MOTORS GEARMOTORS AND DRIVES	DRAWN PG 3/17/03	
CHK	ANG	FINISH	DEC.	INCHES	CHK	APPD					
.X	±.1							TITLE OUTLINE - 48C FRAME RIGID "C" FACE MOUNT - TEFC 3 PHASE	MAT'L	SCALE	1=2
.XX	±.03						REF			031699	
.XXX	±.005						FMF			102794.00	
.XXXX	±.0005						PREV				
THIS DRAWING IN DESIGN AND DETAIL IS OUR PROPERTY AND MUST NOT BE USED EXCEPT IN CONNECTION WITH OUR WORK ALL RIGHTS OF DESIGN AND INVENTION ARE RESERVED THIS IS AN ELECTRONICALLY GENERATED DOCUMENT - DO NOT SCALE THIS PRINT						RFP	CAD FILE	031730	SIZE	DRAWING NO.	REV.
						DIST			B	031730	

005010-01

VIEW FROM OUTSIDE OF MOTOR AT SWITCH END.



VOLTAGE	L1	L2	L3	JOIN & INSULATE
HIGH	T1	T2	T3	(T4,T7) (T5,T8) (T6,T9)
LOW	T1,T7	T2,T8	T3,T9	T4,T5,T6

				TOLERANCES UNLESS SPECIFIED		<b>Regal Beloit America, Inc.</b>		DRAWN RDW 04/12/02			
				DEC.	INCHES			CHK			
				.X	±.1			APPD			
				.XX	±.01			SCALE 1=1			
				.XXX	±.005	TITLE		REF FIG.2-51			
A	UPDATED TO REGAL LOGO	SAJ 06/26/15	AJY	.XXXX	±.0005	MAT'L.		DECAL - 004014			
NO.	REVISION	BY & DATE	CHK	ANG	±1/2"	FINISH		PREV			
THIS DRAWING IN DESIGN AND DETAIL IS OUR PROPERTY AND MUST NOT BE USED EXCEPT IN CONNECTION WITH OUR WORK ALL RIGHTS OF DESIGN AND INVENTION ARE RESERVED THIS IS AN ELECTRONICALLY GENERATED DOCUMENT - DO NOT SCALE THIS PRINT				RFP	04/12/02	CAD FILE		00501001	SIZE	DRAWING NO.	REV.
				DIST BRF-NLV				A	005010-01	A	

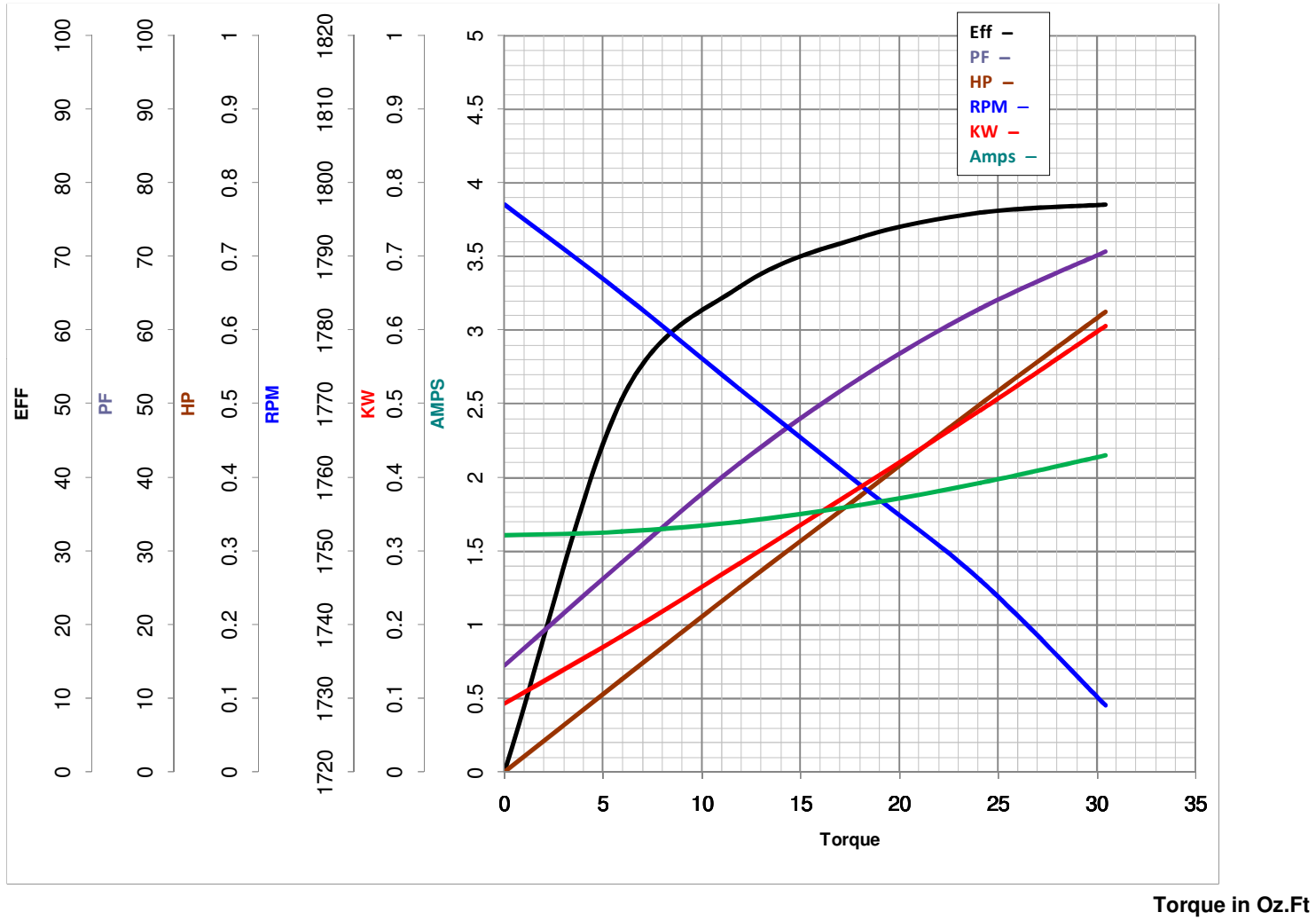


**LEESON ELECTRIC CORPORATION**  
TYPICAL PERFORMANCE CURVE for AC MOTOR

Model No 102795.00

Catalog No 102795.00

Curve at 230 Volts      HP 0.50      PHASE 3  
60 HZ  
0.5 HP      VOLTS 115/230  
HZ 60      RPM 1725



FL TORQUE	<u>24.11</u> Oz.Ft	FL AMPS	<u>3.6/1.8</u>
BD TORQUE	<u>114.5</u> Oz.Ft	PU TORQUE	<u>97.1</u> Oz.Ft
LR TORQUE	<u>103.5</u> Oz.Ft	LR AMPS	<u>13.1</u>
WINDING	TE48453-5	Date	5/28/2018