

PRODUCT INFORMATION PACKET



Model No: C4T17FK6A

Catalog No: 102794.00

1/3HP..1725RPM.48.TEFC.115/230V.3PH.60HZ.CONT.NOT.40C.1.15SF.RIGID..C4T17FK6A
20:1 Speed Ratio



Regal and Leeson are trademarks of Regal Beloit Corporation or one of its affiliated companies.

©2018 Regal Beloit Corporation, All Rights Reserved. MC017097E





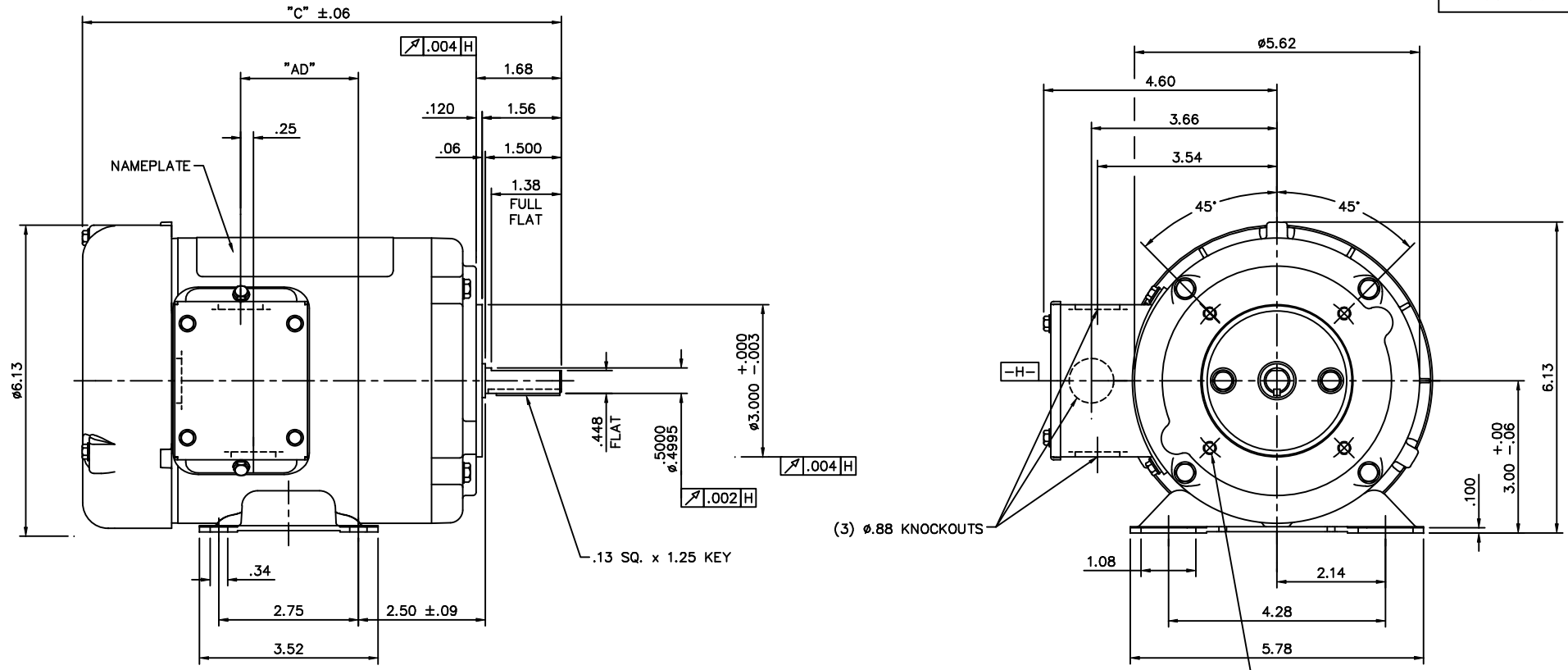
Nameplate Specifications

Output HP	0.33 Hp	Output KW	0.25 kW
Frequency	60 Hz	Voltage	115/230 V
Current	3.2/1.6 A	Speed	1725 rpm
Service Factor	1.15	Phase	3
Efficiency	64.3 %	Duty	Continuous
Insulation Class	F	Design Code	B
KVA Code	M	Frame	48C
Enclosure	Totally Enclosed Fan Cooled	Overload Protector	No
Ambient Temperature	40 °C	Drive End Bearing Size	6203
Opp Drive End Bearing Size	6203	UL	Recognized
CSA	Y	CE	N
IP Code	43		

Technical Specifications

Electrical Type	Squirrel Cage Induction Run	Starting Method	Across The Line
Poles	4	Rotation	Reversible
Mounting	Rigid base	Motor Orientation	HORIZONTAL
Drive End Bearing	BALL	Opp Drive End Bearing	BALL
Frame Material	Rolled Steel	Shaft Type	T
Overall Length	9.19 in	Frame Length	4.75 in
Shaft Diameter	0.500 in	Shaft Extension	1.5 in
Assembly/Box Mounting	F1 ONLY		
Outline Drawing	031730-475	Connection Diagram	005010.01

This is an uncontrolled document once printed or downloaded and is subject to change without notice. Date Created: 10/15/2018



DASH NO.	"C"	"AD"
450	8.94	1.81
475	9.19	2.06
500	9.44	2.31
525	9.69	2.56
550	9.94	2.81
575	10.19	3.06
600	10.44	3.31
625	10.69	3.56
650	10.94	3.81
675	11.19	4.06

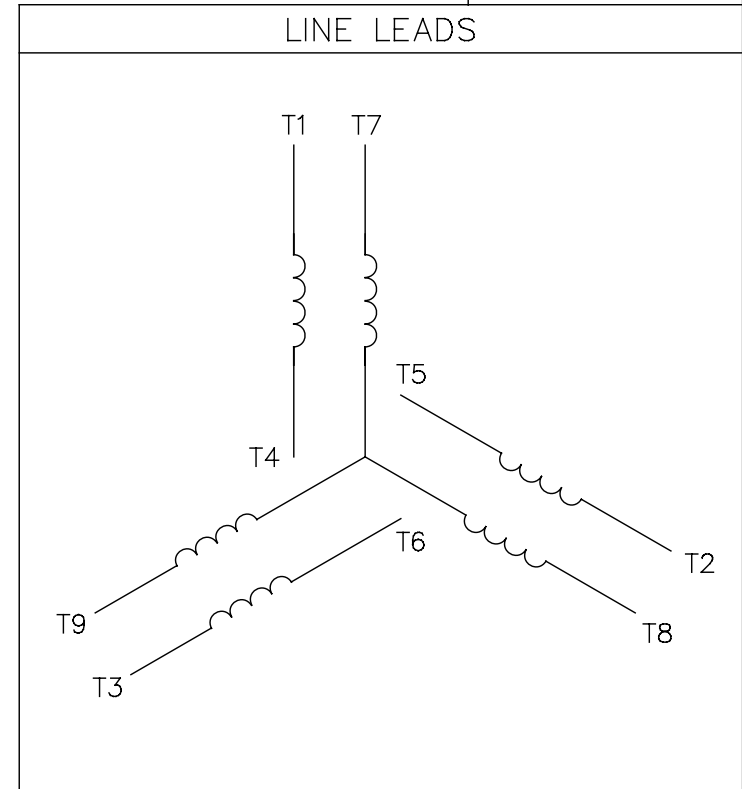
1/4-20 UNC 2B TAP x .44 DEEP
(4) REQUIRED ON A φ3.750 B.C.

GASKETS THROUGHOUT

		TOLERANCES UNLESS SPECIFIED			ELECTRIC MOTORS GEARMOTORS AND DRIVES	DRAWN PG 3/17/03
		DEC.	INCHES			CHK
		.X	±.1			APPD
		.XX	±.03			SCALE 1=2
		.XXX	±.005	TITLE	OUTLINE - 48C FRAME RIGID "C" FACE MOUNT - TEFC	REF 031699
		.XXXX	±.0005	MAT'L	3 PHASE	FMF 102794.00
NO.	REVISION	BY & DATE	CHK	ANG	FINISH	PREV
THIS DRAWING IN DESIGN AND DETAIL IS OUR PROPERTY AND MUST NOT BE USED EXCEPT IN CONNECTION WITH OUR WORK ALL RIGHTS OF DESIGN AND INVENTION ARE RESERVED THIS IS AN ELECTRONICALLY GENERATED DOCUMENT - DO NOT SCALE THIS PRINT			RFP	CAD FILE	031730	SIZE B
			DIST	DRAWING NO.	031730	REV.

005010-01

VIEW FROM OUTSIDE OF MOTOR AT SWITCH END.



VOLTAGE	L1	L2	L3	JOIN & INSULATE
HIGH	T1	T2	T3	(T4,T7) (T5,T8) (T6,T9)
LOW	T1,T7	T2,T8	T3,T9	T4,T5,T6

				TOLERANCES UNLESS SPECIFIED		Regal Beloit America, Inc.		DRAWN RDW 04/12/02		
				DEC.	INCHES			CHK		
				.X	±.1			APPD		
				.XX	±.01			SCALE 1=1		
				.XXX	±.005	REF FIG.2-51				
A	UPDATED TO REGAL LOGO	SAJ 06/26/15	AJY	.XXXX	±.0005	TITLE EXTERNAL WIRING DIAGRAM 3 PHASE W/O PROTECTOR		MAT'L DECAL - 004014		
NO.	REVISION	BY & DATE	CHK	ANG	±1/2"	FINISH		PREV		
THIS DRAWING IN DESIGN AND DETAIL IS OUR PROPERTY AND MUST NOT BE USED EXCEPT IN CONNECTION WITH OUR WORK ALL RIGHTS OF DESIGN AND INVENTION ARE RESERVED THIS IS AN ELECTRONICALLY GENERATED DOCUMENT - DO NOT SCALE THIS PRINT				RFP	04/12/02	CAD FILE 00501001		SIZE	DRAWING NO.	REV.
				DIST	BRF-NLV			A	005010-01	A

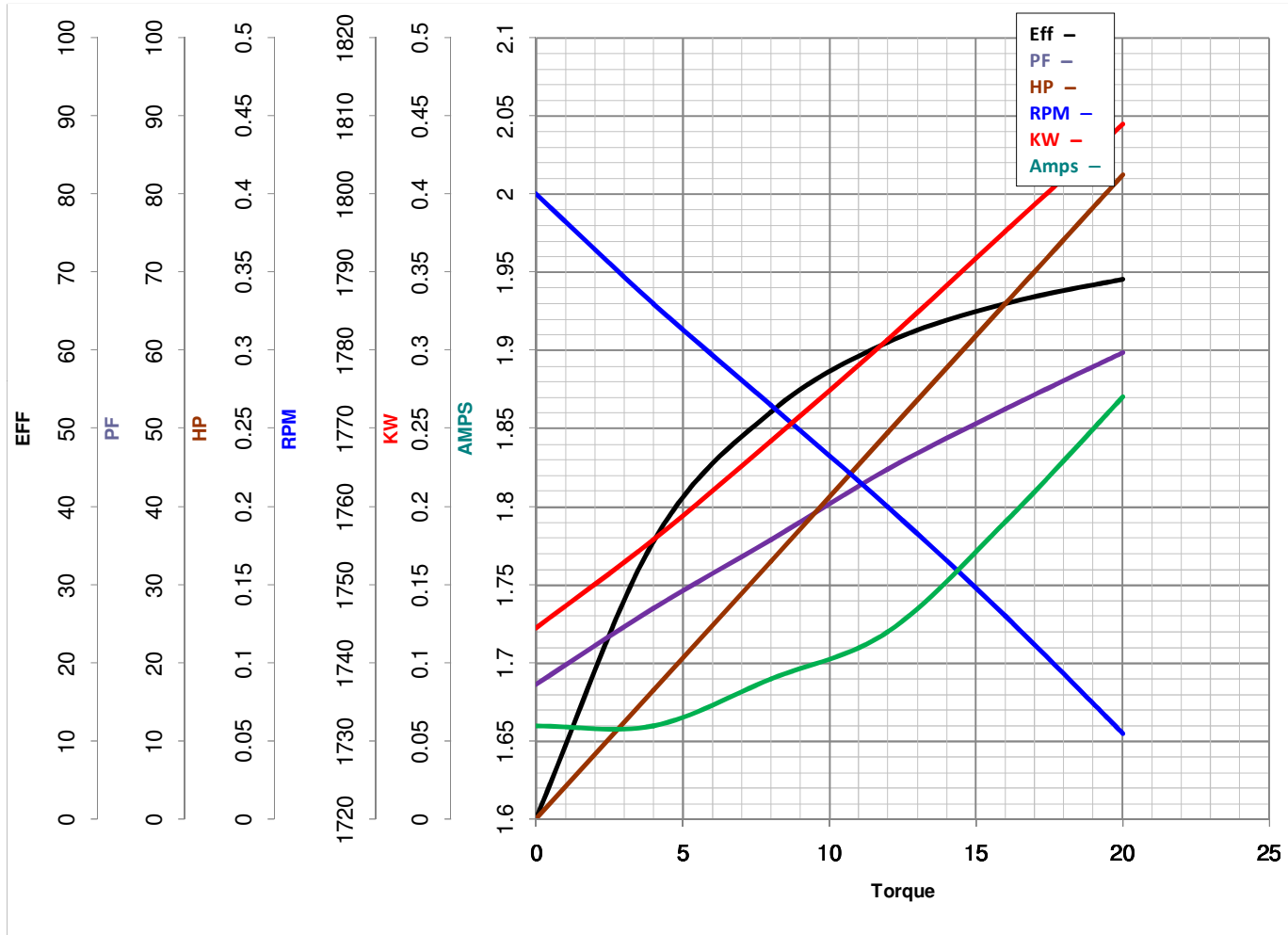


LEESON ELECTRIC CORPORATION
TYPICAL PERFORMANCE CURVE for AC MOTOR

Model No 102794.00

Catalog No 102794.00

Curve at 230 Volts HP 0.33 PHASE 3
60 HZ
0.33 HP VOLTS 115/230
HZ 60 RPM 1725



Torque in Oz.Ft

FL TORQUE 16 Oz.Ft
 BD TORQUE 82.3 Oz.Ft
 LR TORQUE 67.11 Oz.Ft

FL AMPS 3.2/1.6
 PU TORQUE 66.6 Oz.Ft
 LR AMPS 9.41

WINDING TE48414-6

Date 5/28/2018