

# PRODUCT INFORMATION PACKET



Model No: C4T14FH2A

Catalog No: 102693.00

..1/2HP..1425RPM.S56.IP54.220/380/440V.3PH.50HZ.CONT.40C.1.15SF.RIGID.....50  
HERTZ.NOT.....37kW...

50 Hz



Regal and Leeson are trademarks of Regal Beloit Corporation or one of its affiliated companies.

©2018 Regal Beloit Corporation, All Rights Reserved. MC017097E





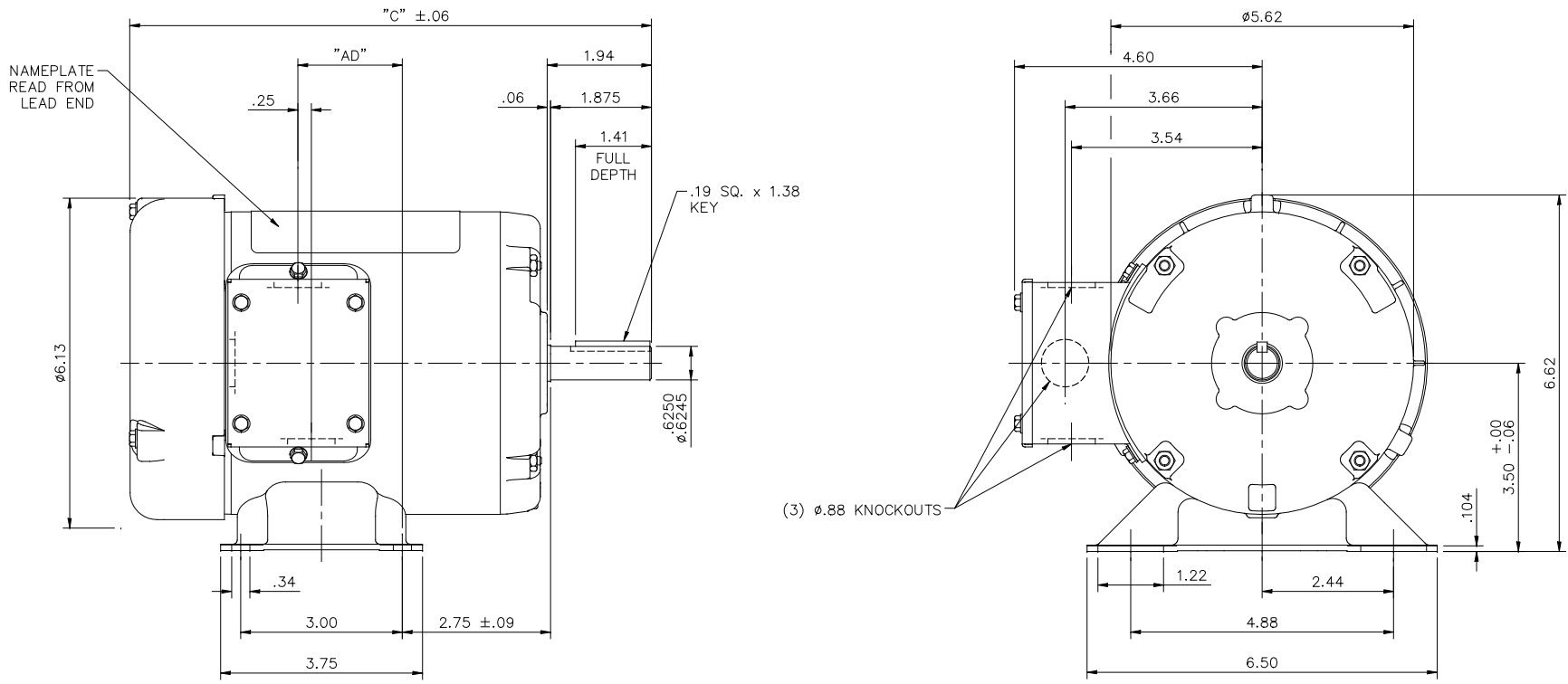
### Nameplate Specifications

Output HP	0.50 Hp	Output KW	0.37 kW
Frequency	50 Hz	Voltage	220/380/440 V
Current	2.4/1.4/1.2 A	Speed	1425 rpm
Service Factor	1.15	Phase	3
Efficiency	72 %	Duty	Continuous
Insulation Class	B	Design Code	B
KVA Code	L	Frame	S56
Enclosure	Totally Enclosed Fan Cooled	Overload Protector	No
Ambient Temperature	40 °C	Drive End Bearing Size	6203
Opp Drive End Bearing Size	6203	UL	Recognized
CSA	Y	CE	Y
IP Code	54		

### Technical Specifications

Electrical Type	Squirrel Cage Induction Run	Starting Method	Across The Line
Poles	4	Rotation	Reversible
Mounting	Rigid base	Motor Orientation	HORIZONTAL
Drive End Bearing	BALL	Opp Drive End Bearing	BALL
Frame Material	Rolled Steel	Shaft Type	T
Overall Length	10.19 in	Frame Length	5.50 in
Shaft Diameter	0.625 in	Shaft Extension	1.88 in
Assembly/Box Mounting	F1 ONLY		
Outline Drawing	031632-550	Connection Diagram	005381.01

This is an uncontrolled document once printed or downloaded and is subject to change without notice. Date Created: 10/15/2018

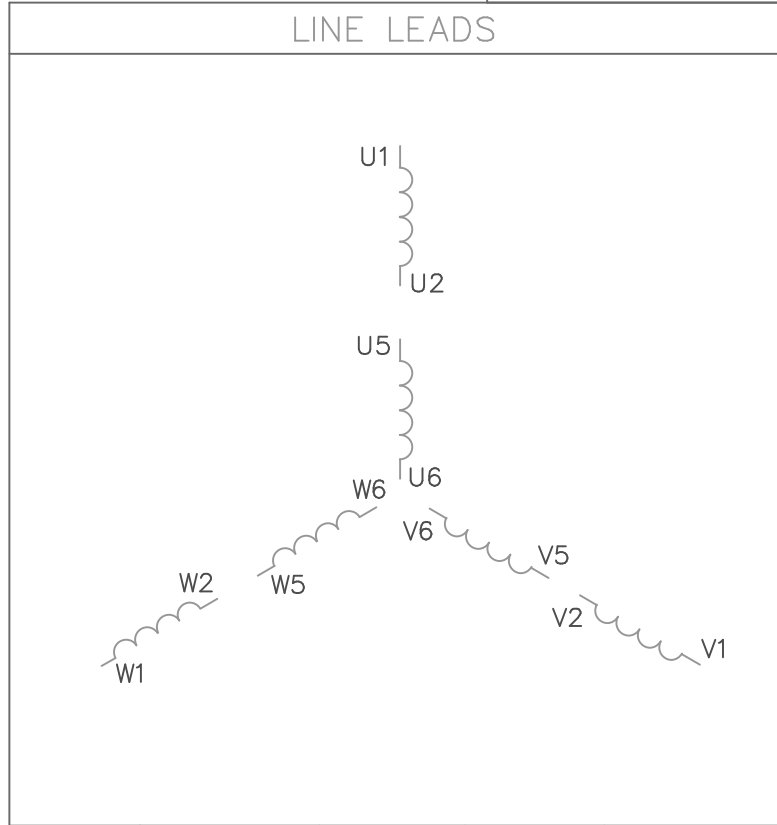
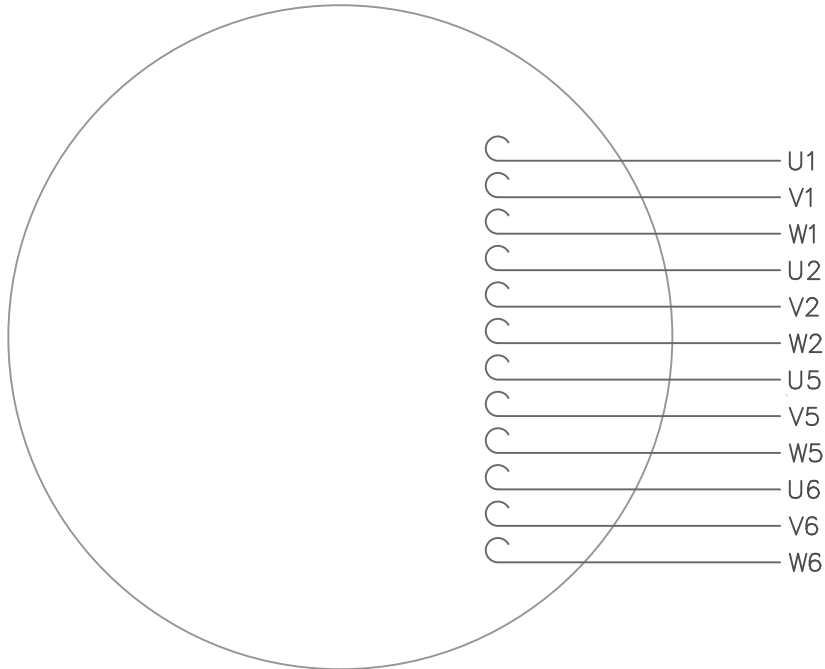


DASH NO.	"C"	"AD"
500	9.69	1.94
525	9.94	2.19
550	10.19	2.44
575	10.44	2.69
600	10.69	2.94
625	10.94	3.19
650	11.19	3.44
675	11.44	3.69

GASKETS THROUGHOUT

				TOLERANCES UNLESS OTHERWISE SPECIFIED			<b>LEESON ELECTRIC CORPORATION</b>			
				DEC.	INCHES	METRIC				
				.X	±.1	±2.5	DRAWN	PG 5/30/01	TITLE	OUTLINE - S56 FRAME
				.XX	±.03	±.76	APPR.			RIGID MOUNT - TEFC
A	ADDED NAMEPLATE ORIENTATION			DS	04/05/18	PVR	.XXX	±.005	±.127	R.F.P.
NO.	REVISION			BY & DATE	CH'K'D.	.XXX	±.0005	±.0127	SCALE	1=2
THIS DRAWING IN DESIGN AND DETAIL IS OUR PROPERTY AND MUST NOT BE USED EXCEPT IN CONNECTION WITH OUR WORK ALL RIGHTS OF DESIGN AND INVENTION ARE RESERVED THIS IS AN ELECTRONICALLY GENERATED DOCUMENT - DO NOT SCALE THIS PRINT							FRACTIONS	±1/64	REF.	030391
							ANGLES	±1/2"	FMF	101078
							REV.	A	DRAWING NO.	031632

VIEW FROM OUTSIDE OF MOTOR AT SWITCH END.



VOLTAGE	L1	L2	L3	JOIN
(2Δ) LOW	U1,W2 U5,W6	V1,U2 V5,U6	W1,V2 W5,V6	----
(2Y) MEDIUM	U1,U5	V1,V5	W1,W5	(U2,V2,W2) (U6,V6,W6)
(1Δ) HIGH	U1,W6	V1,U6	W1,V6	(U2,U5) (V2,V5) (W2,W5)

				TOLERANCES UNLESS OTHERWISE SPECIFIED	
				DECIMALS	
				.00	± .01
				.000	± .005
1	REDRAWN TO CURRENT STANDARDS	DBT	05/30/97	.0000	± .0005
NO.	REVISION	BY	DATE	FRACTIONS	± 1/64
				ANGLES	± 1/2°
				INCH/MM	

**LEESON** ELECTRIC CORPORATION

DRAWN GWS 2/23/96 TITLE EXT. WIRING DIAGRAM  
 CH'K'D. TYPE "T" W/O PROTECTOR  
 APPR. MAT'L. DECAL - 080590  
 SCALE 1=1  
 REF. 005352 PG 3 FINISH STOCK SIZE A DRAWING NO. 005381-01  
 FMF

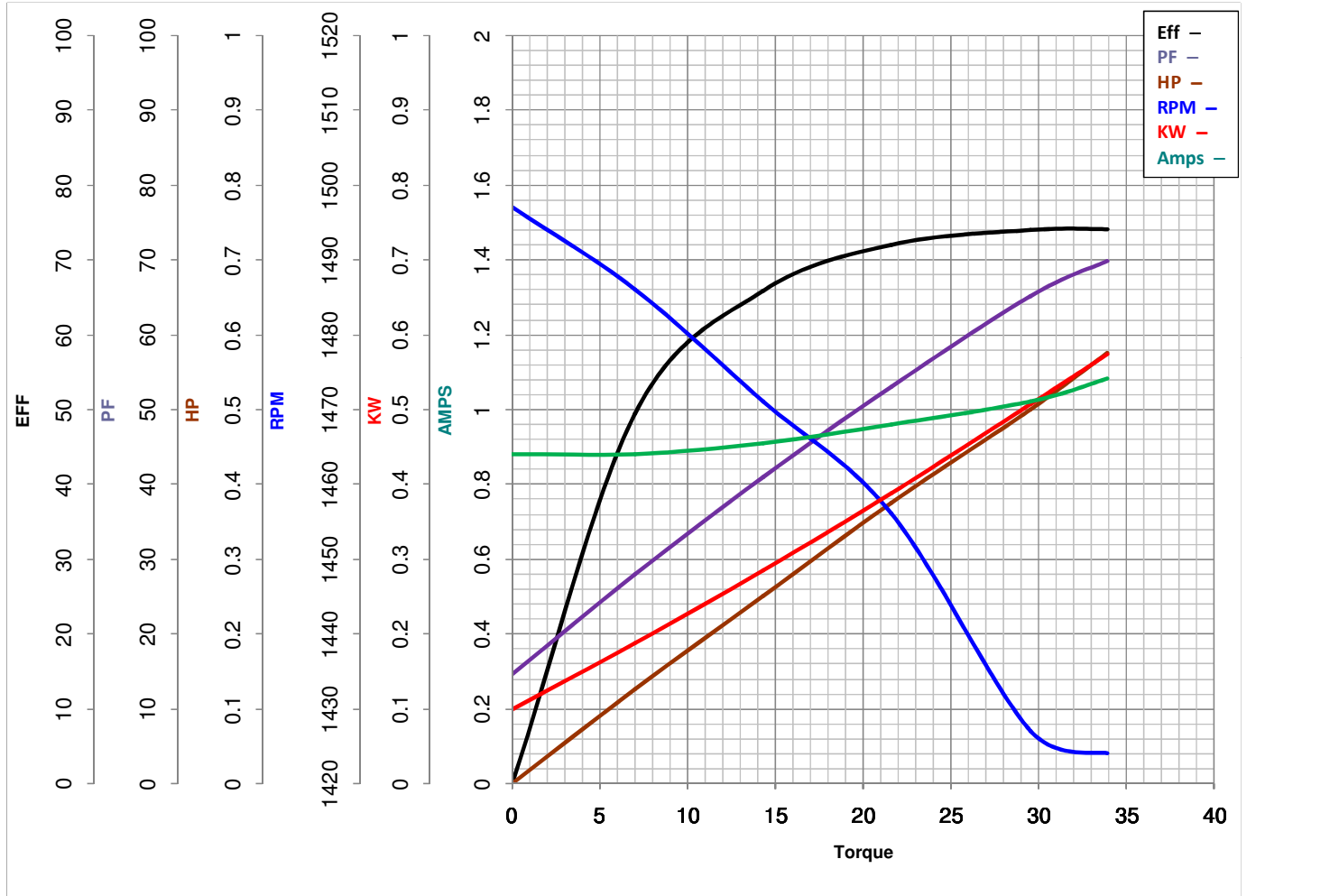


**LEESON ELECTRIC CORPORATION**  
TYPICAL PERFORMANCE CURVE for AC MOTOR

Model No 102693.00

Catalog No 102693.00

Curve at 460 Volts      HP 0.50      PHASE 3  
50 HZ  
0.5 HP      VOLTS 220/380/440  
HZ 50      RPM 1425



Torque in Oz.Ft

FL TORQUE 29.5 Oz.Ft  
 BD TORQUE 128.5 Oz.Ft  
 LR TORQUE 1170 Oz.Ft

FL AMPS 2.4/1.4/1.2  
 PU TORQUE 116.5 Oz.Ft  
 LR AMPS 5.8

WINDING TE48466-4

Date 5/23/2018