

PRODUCT INFORMATION PACKET



Model No: C4T28FC1B

Catalog No: 102691.00

..1/2HP..2850RPM.S56C.IP54.220/380V.3PH.50HZ.CONT.40C.1.15SF.C FACE.C4T28FC1B.....50
HERTZ.NOT.....37kW...

50 Hz



Regal and Leeson are trademarks of Regal Beloit Corporation or one of its affiliated companies.

©2018 Regal Beloit Corporation, All Rights Reserved. MC017097E



Product Information Packet: Model No: C4T28FC1B, Catalog No:102691.00
 ..1/2HP..2850RPM.S56C.IP54.220/380V.3PH.50HZ.CONT.40C.1.15SF.C FACE.C4T28FC1B.....50
 HERTZ.NOT.....37kW...



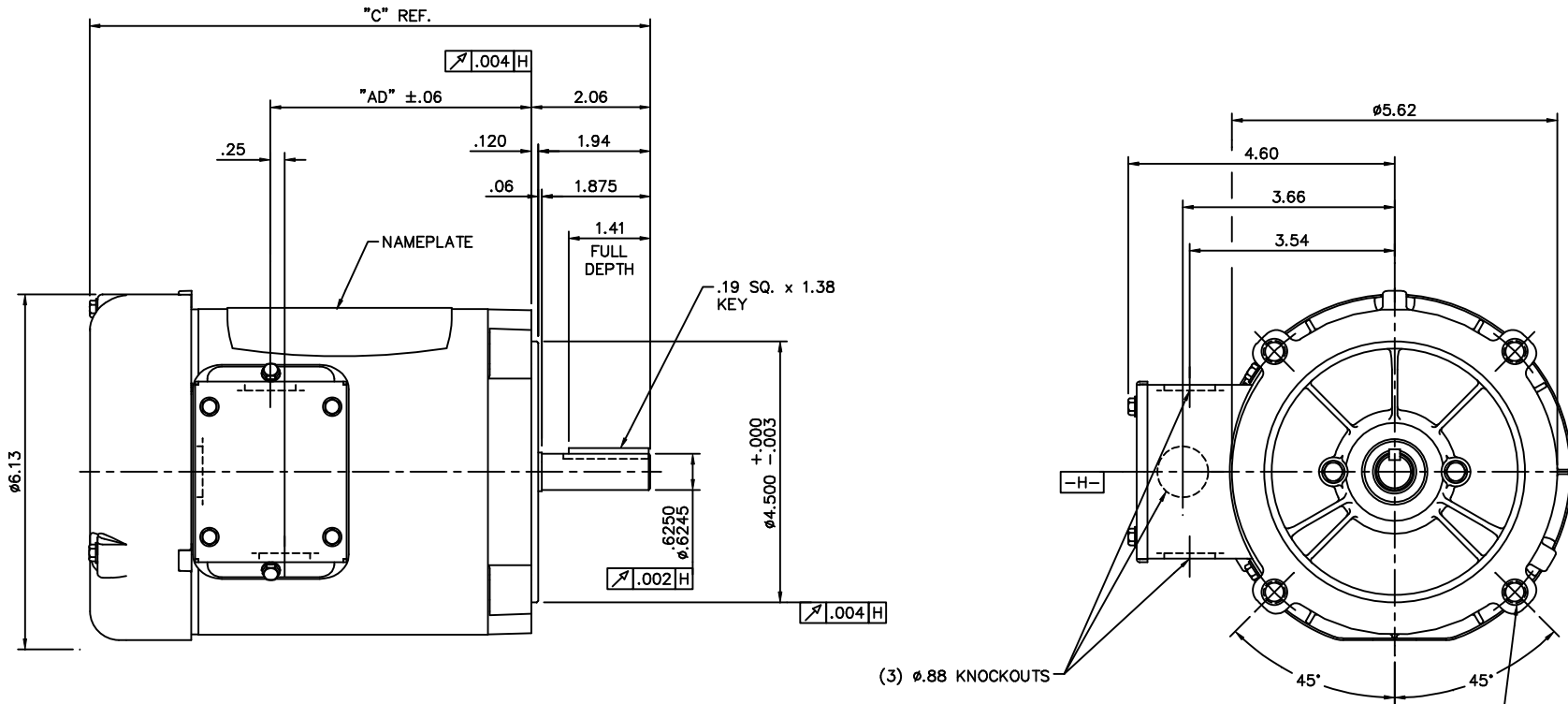
Nameplate Specifications

Output HP	0.50 Hp	Output KW	0.37 kW
Frequency	50 Hz	Voltage	220/380/440 V
Current	1.8/1.0/0.90 A	Speed	2850 rpm
Service Factor	1.15	Phase	3
Efficiency	77.3 %	Duty	Continuous
Insulation Class	B	Design Code	NO DESIGN CODE
KVA Code	M	Frame	S56C
Enclosure	Totally Enclosed Fan Cooled	Overload Protector	No
Ambient Temperature	40 °C	Drive End Bearing Size	6203
Opp Drive End Bearing Size	6203	UL	Recognized
CSA	Y	CE	Y
IP Code	54		

Technical Specifications

Electrical Type	Squirrel Cage Induction Run	Starting Method	Across The Line
Poles	2	Rotation	Reversible
Mounting	Round	Motor Orientation	HORIZONTAL
Drive End Bearing	BALL	Opp Drive End Bearing	BALL
Frame Material	Rolled Steel	Shaft Type	NEMA 56
Overall Length	9.69 in	Frame Length	5.00 in
Shaft Diameter	0.625 in	Shaft Extension	1.88 in
Assembly/Box Mounting	F1 ONLY		
Outline Drawing	031811-500	Connection Diagram	005381.01

This is an uncontrolled document once printed or downloaded and is subject to change without notice. Date Created: 10/15/2018



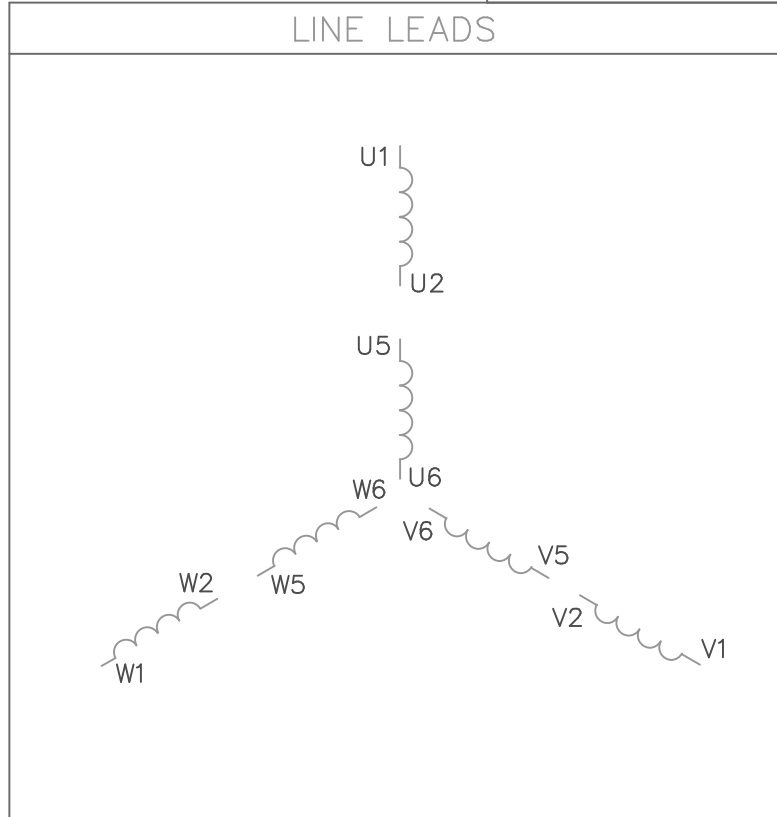
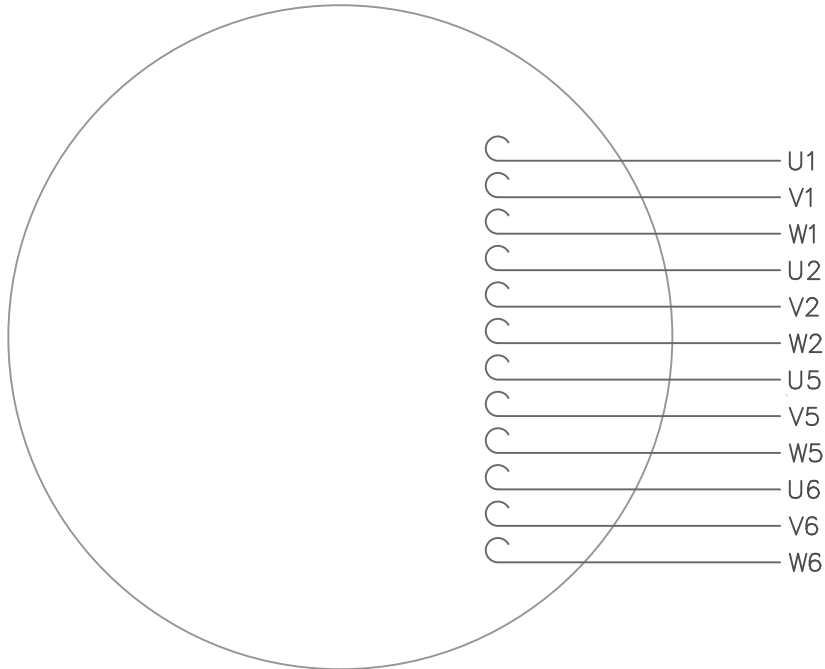
DASH NO.	"C"	"AD"
450	9.19	4.00
475	9.44	4.25
500	9.69	4.50
525	9.94	4.75
550	10.19	5.00
575	10.44	5.25
600	10.69	5.50
625	10.94	5.75
650	11.19	6.00
675	11.44	6.25

3/8-16 UNC 2B TAP x .56 DEEP
(4) REQ'D. ON A Ø5.875 B.C.

GASKETS THROUGHOUT

			TOLERANCES UNLESS SPECIFIED			ELECTRIC MOTORS GEARMOTORS AND DRIVES	DRAWN PG 02/24/05			
			DEC.	INCHES			CHK			
			.X	±.1			APPD PG 02/25/05			
			.XX	±.03			SCALE 1=2			
			.XXX	±.005	TITLE	OUTLINE - S56C FRAME "C" FACE MOUNT - TEFC	REF 031637			
			.XXXX	±.0005	MAT'L	3 PHASE	FMF 102691.00			
NO.	REVISION	BY & DATE	CHK	ANG	±1/2"	FINISH	STANDARD	PREV		
THIS DRAWING IN DESIGN AND DETAIL IS OUR PROPERTY AND MUST NOT BE USED EXCEPT IN CONNECTION WITH OUR WORK ALL RIGHTS OF DESIGN AND INVENTION ARE RESERVED THIS IS AN ELECTRONICALLY GENERATED DOCUMENT - DO NOT SCALE THIS PRINT						RFP	CAD FILE 031811	SIZE B	DRAWING NO. 031811	REV.
						DIST				

VIEW FROM OUTSIDE OF MOTOR AT SWITCH END.



VOLTAGE	L1	L2	L3	JOIN
(2Δ) LOW	U1,W2 U5,W6	V1,U2 V5,U6	W1,V2 W5,V6	----
(2Y) MEDIUM	U1,U5	V1,V5	W1,W5	(U2,V2,W2) (U6,V6,W6)
(1Δ) HIGH	U1,W6	V1,U6	W1,V6	(U2,U5) (V2,V5) (W2,W5)

				TOLERANCES UNLESS OTHERWISE SPECIFIED	
				DECIMALS	
				.00	± .01
				.000	± .005
1	REDRAWN TO CURRENT STANDARDS	DBT	05/30/97	.0000	± .0005
NO.	REVISION	BY	DATE	FRACTIONS	± 1/64
				ANGLES	± 1/2°
				INCH/MM	

LEESON ELECTRIC CORPORATION

DRAWN GWS 2/23/96 TITLE EXT. WIRING DIAGRAM
 CH'K'D. TYPE "T" W/O PROTECTOR
 APPR. MAT'L. DECAL - 080590
 SCALE 1=1
 REF. 005352 PG 3 FINISH STOCK SIZE A DRAWING NO. 005381-01
 FMF

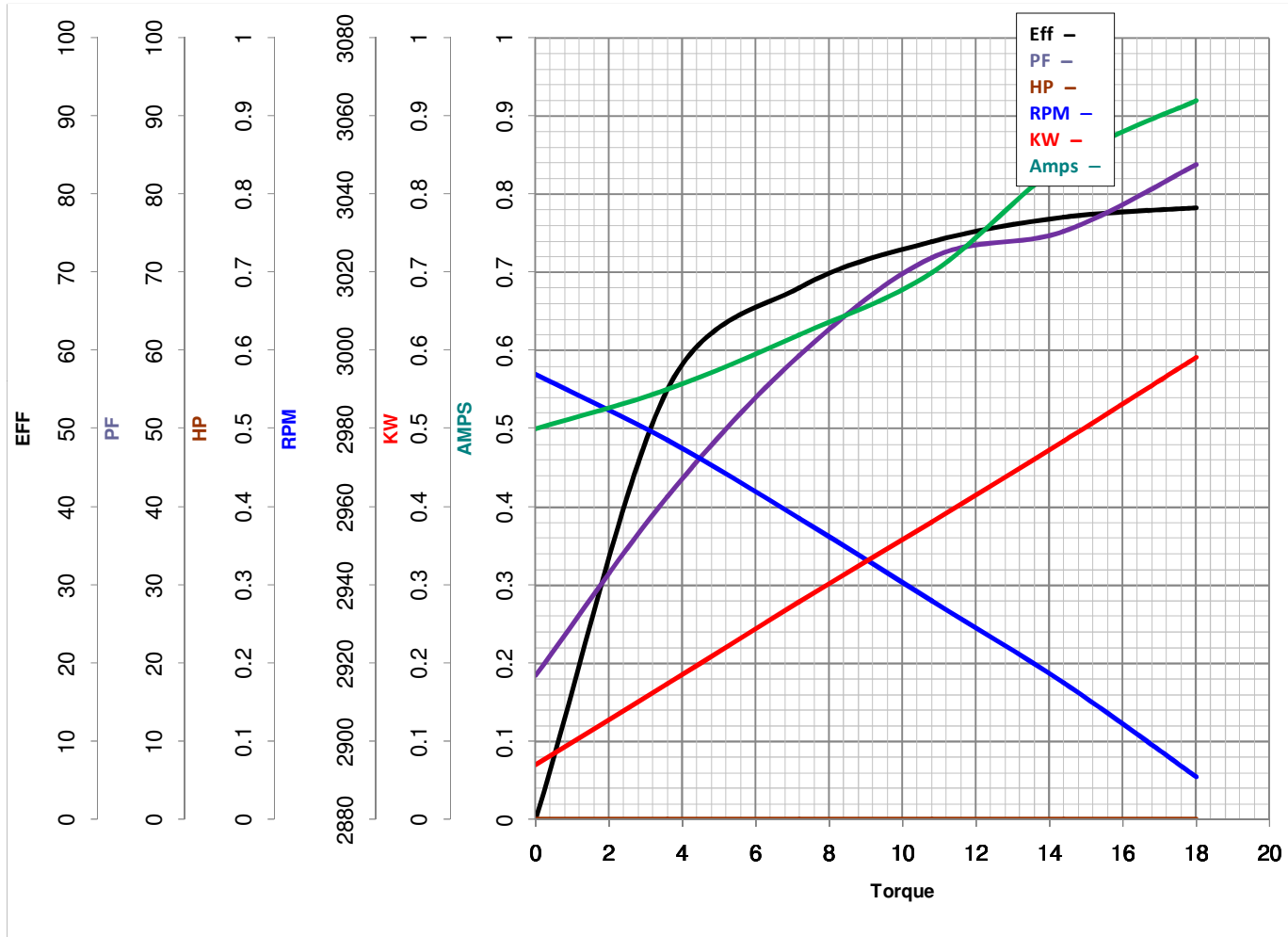


LEESON ELECTRIC CORPORATION
TYPICAL PERFORMANCE CURVE for AC MOTOR

Model No 102691.00

Catalog No 102691.00

Curve at 440 Volts HP 0.50 PHASE 3
50 HZ
0.5 HP VOLTS 220/380/440
HZ 50 RPM 2850



Torque in Oz.Ft

FL TORQUE 14.4 Oz.Ft
 BD TORQUE 53.0 Oz.Ft
 LR TORQUE 44 Oz.Ft

FL AMPS 1.8/1.9
 PU TORQUE 42.0 Oz.Ft
 LR AMPS 6.5

WINDING T55256-4

Date 5/28/2018