

# PRODUCT INFORMATION PACKET



Model No: C4T28FC2B  
Catalog No: 102687.00  
1/3HP..25kW.2850RPM.48.IP54.220/380V.3PH.50HZ.CONT.NOT.40C.1.15SF.C FACE.50  
HERTZ.C4T28FC2B.A  
50 Hz



Regal and Leeson are trademarks of Regal Beloit Corporation or one of its affiliated companies.  
©2018 Regal Beloit Corporation, All Rights Reserved. MC017097E





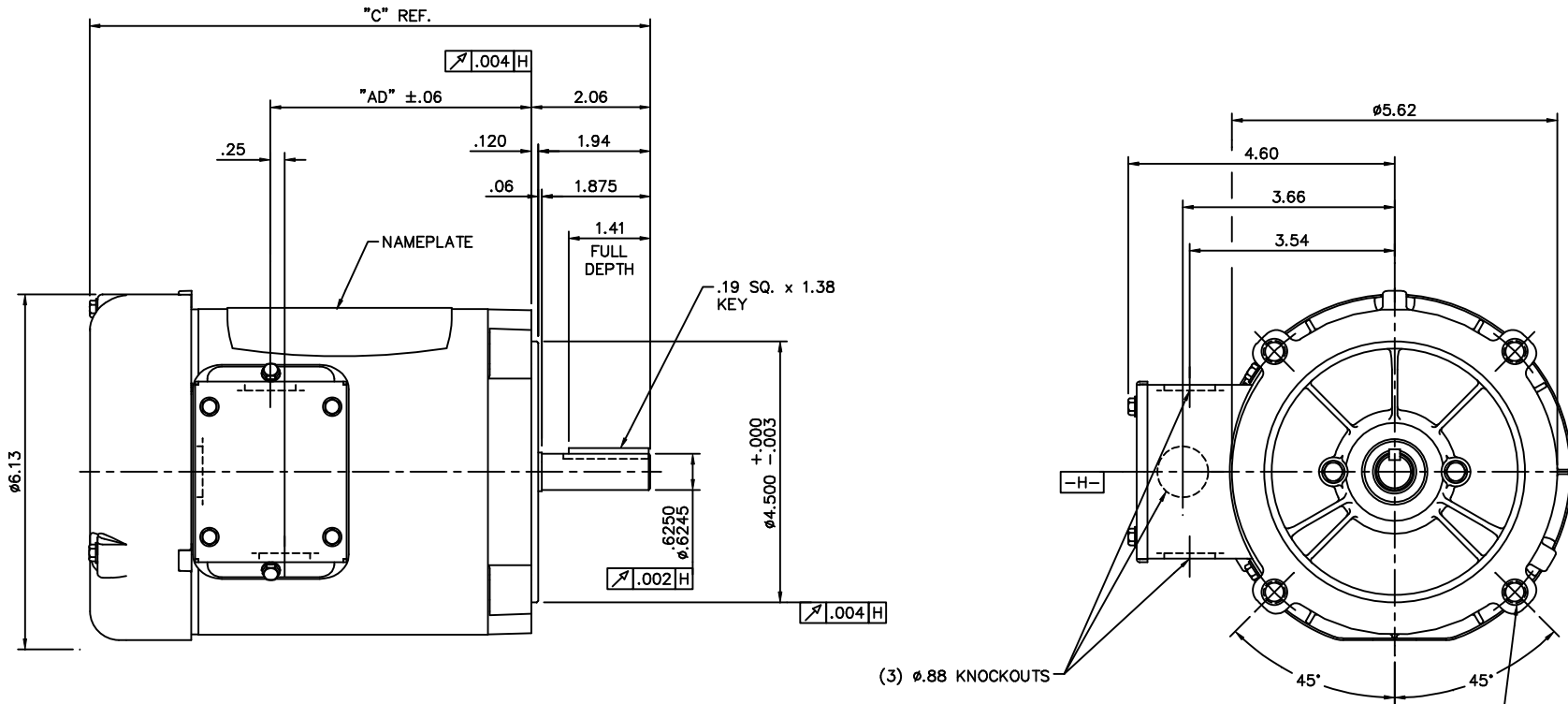
### Nameplate Specifications

Output HP	<b>0.33 Hp</b>	Output KW	<b>0.25 kW</b>
Frequency	<b>50 Hz</b>	Voltage	<b>220/380/440 V</b>
Current	<b>1.4/0.80/0.70 A</b>	Speed	<b>2850 rpm</b>
Service Factor	<b>1.15</b>	Phase	<b>3</b>
Efficiency	<b>60 %</b>	Duty	<b>Continuous</b>
Insulation Class	<b>B</b>	Design Code	<b>NO DESIGN CODE</b>
KVA Code	<b>M</b>	Frame	<b>S56C</b>
Enclosure	<b>Totally Enclosed Fan Cooled</b>	Overload Protector	<b>No</b>
Ambient Temperature	<b>40 °C</b>	Drive End Bearing Size	<b>6203</b>
Opp Drive End Bearing Size	<b>6203</b>	UL	<b>Recognized</b>
CSA	<b>Y</b>	CE	<b>Y</b>
IP Code	<b>54</b>		

### Technical Specifications

Electrical Type	<b>Squirrel Cage Induction Run</b>	Starting Method	<b>Across The Line</b>
Poles	<b>2</b>	Rotation	<b>Reversible</b>
Mounting	<b>Rigid base</b>	Motor Orientation	<b>HORIZONTAL</b>
Drive End Bearing	<b>BALL</b>	Opp Drive End Bearing	<b>BALL</b>
Frame Material	<b>Rolled Steel</b>	Shaft Type	<b>NEMA 56</b>
Overall Length	<b>9.69 in</b>	Frame Length	<b>5.00 in</b>
Shaft Diameter	<b>0.625 in</b>	Shaft Extension	<b>1.88 in</b>
Assembly/Box Mounting	<b>F1 ONLY</b>		
Outline Drawing	<b>031811-500</b>	Connection Diagram	<b>005381.01</b>

**This is an uncontrolled document once printed or downloaded and is subject to change without notice. Date Created: 10/15/2018**



(3)  $\phi 0.88$  KNOCKOUTS

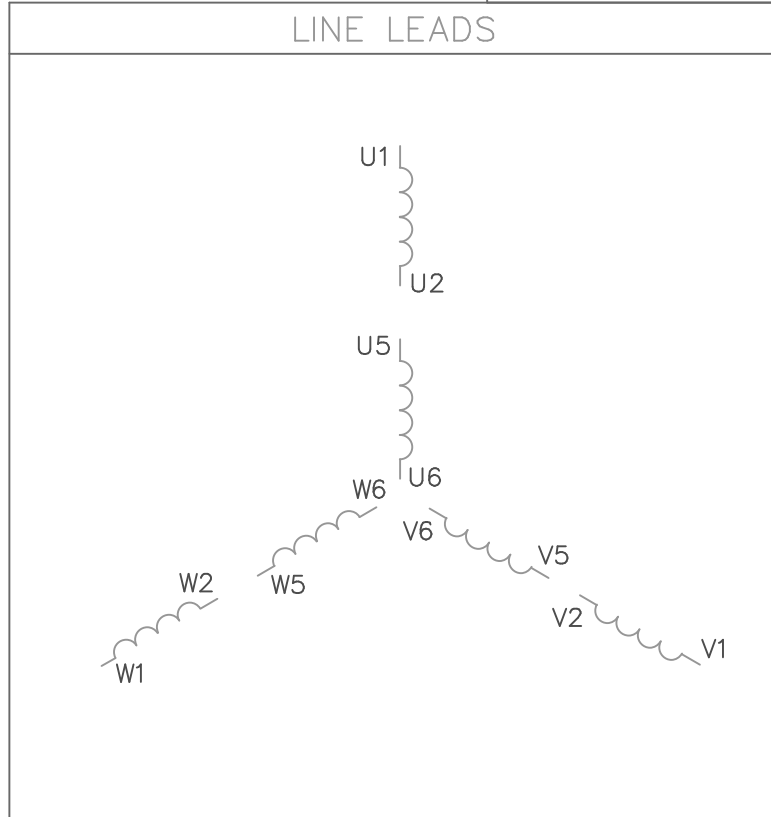
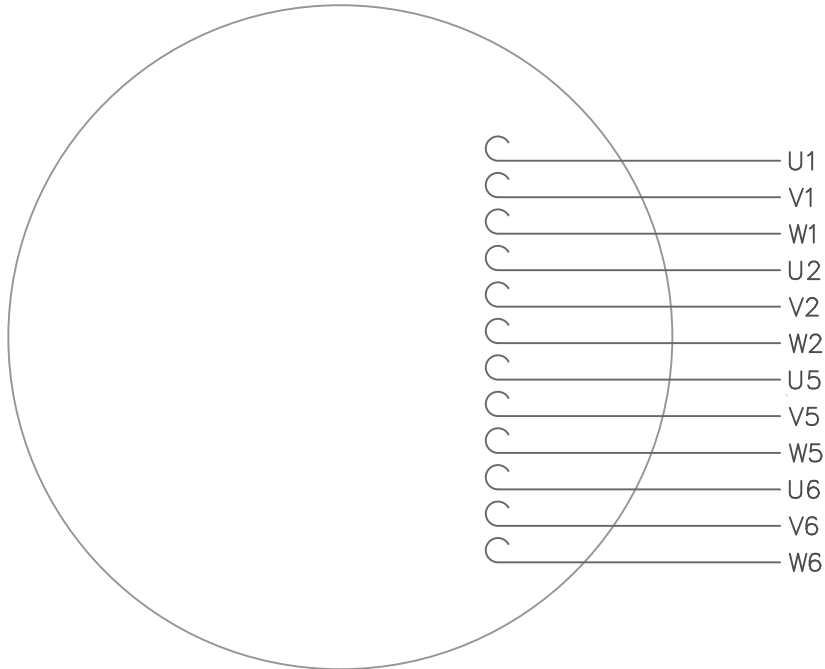
3/8-16 UNC 2B TAP x .56 DEEP  
(4) REQ'D. ON A  $\phi 5.875$  B.C.

DASH NO.	"C"	"AD"
450	9.19	4.00
475	9.44	4.25
500	9.69	4.50
525	9.94	4.75
550	10.19	5.00
575	10.44	5.25
600	10.69	5.50
625	10.94	5.75
650	11.19	6.00
675	11.44	6.25

GASKETS THROUGHOUT

		TOLERANCES UNLESS SPECIFIED			ELECTRIC MOTORS GEARMOTORS AND DRIVES	DRAWN PG 02/24/05
		DEC.	INCHES			CHK
		.X	$\pm .1$			APPD PG 02/25/05
		.XX	$\pm .03$			SCALE 1=2
		.XXX	$\pm .005$	TITLE OUTLINE - S56C FRAME "C" FACE MOUNT - TEFC		REF 031637
		.XXXX	$\pm .0005$	MAT'L 3 PHASE		FMF 102691.00
NO.	REVISION	BY & DATE	CHK	ANG $\pm 1/2^\circ$	FINISH STANDARD	PREV
THIS DRAWING IN DESIGN AND DETAIL IS OUR PROPERTY AND MUST NOT BE USED EXCEPT IN CONNECTION WITH OUR WORK ALL RIGHTS OF DESIGN AND INVENTION ARE RESERVED THIS IS AN ELECTRONICALLY GENERATED DOCUMENT - DO NOT SCALE THIS PRINT				RFP	CAD FILE 031811	SIZE B
				DIST	DRAWING NO. 031811	REV.

VIEW FROM OUTSIDE OF MOTOR AT SWITCH END.



VOLTAGE	L1	L2	L3	JOIN
(2Δ) LOW	U1,W2 U5,W6	V1,U2 V5,U6	W1,V2 W5,V6	----
(2Y) MEDIUM	U1,U5	V1,V5	W1,W5	(U2,V2,W2) (U6,V6,W6)
(1Δ) HIGH	U1,W6	V1,U6	W1,V6	(U2,U5) (V2,V5) (W2,W5)

				TOLERANCES UNLESS OTHERWISE SPECIFIED	
				DECIMALS	
				.00	± .01
				.000	± .005
1	REDRAWN TO CURRENT STANDARDS	DBT	05/30/97	.0000	± .0005
NO.	REVISION	BY	DATE	FRACTIONS	± 1/64
				ANGLES	± 1/2°
				INCH/MM	

**LEESON** ELECTRIC CORPORATION

DRAWN	GWS 2/23/96	TITLE	EXT. WIRING DIAGRAM	
CH'K'D.			TYPE "T" W/O PROTECTOR	
APPR.		MAT'L.	DECAL - 080590	
SCALE	1=1	FINISH	STOCK	SIZE
REF.	005352 PG 3			A
FMF				DRAWING NO.
				005381-01

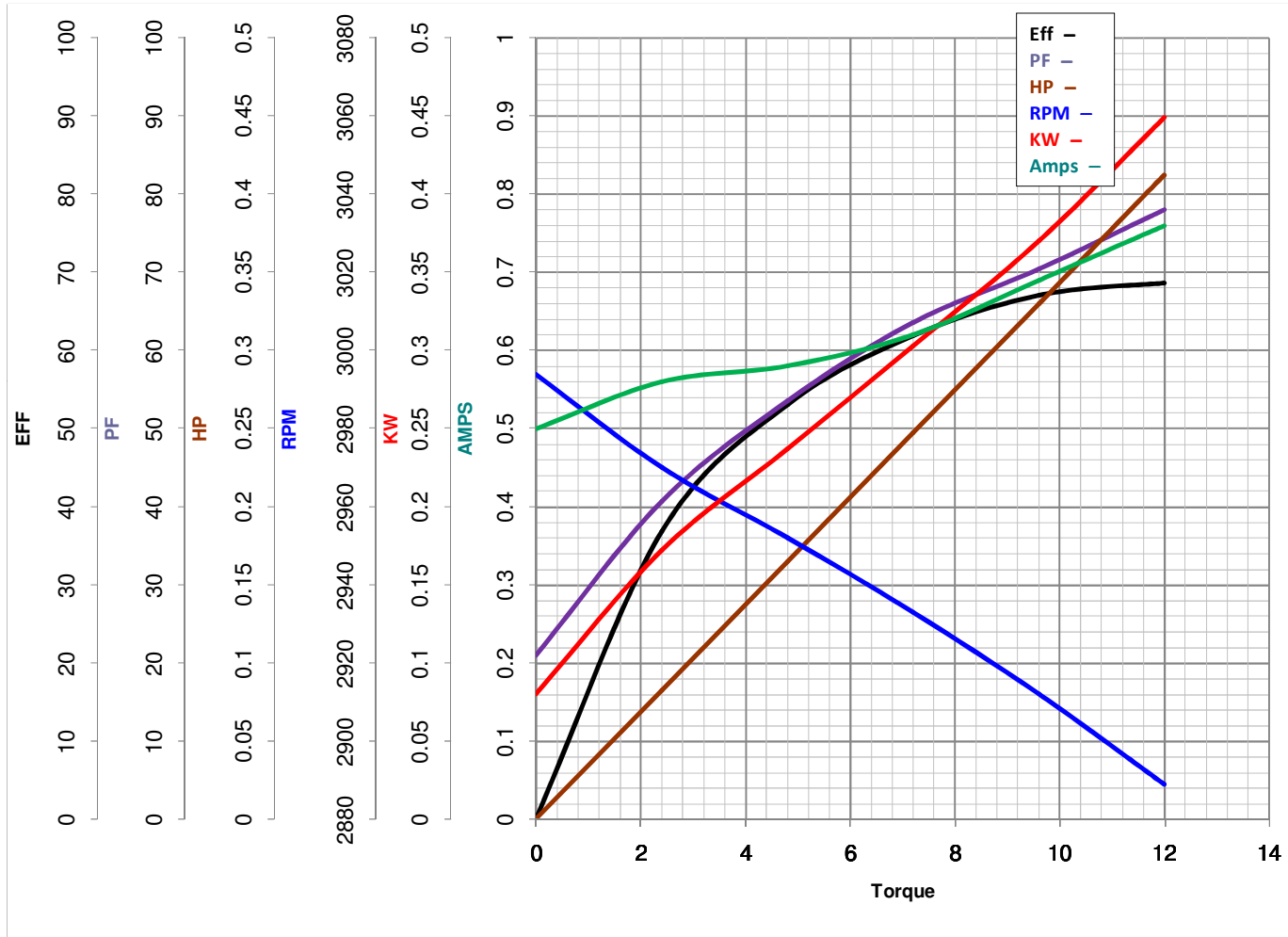


**LEESON ELECTRIC CORPORATION**  
TYPICAL PERFORMANCE CURVE for AC MOTOR

Model No 102687.00

Catalog No 102687.00

Curve at 440 Volts      HP 0.33      PHASE 3  
50 HZ  
0.33 HP      VOLTS 220/380/440  
HZ 50      RPM 2850



Torque in Oz.Ft

FL TORQUE 9.6 Oz.Ft  
 BD TORQUE 38.0 Oz.Ft  
 LR TORQUE 28 Oz.Ft

FL AMPS 1.4/8/7  
 PU TORQUE 27.0 Oz.Ft  
 LR AMPS 4.5

WINDING T55255-4

Date 5/28/2018