

PRODUCT INFORMATION PACKET



Model No: C4T34DK8B

Catalog No: 102199.00

..1/2HP..3450RPM.S56.DP.230/460V.3PH.60HZ.CONT.40C.1.25SF.RIGID C.C4T34DK8B.....JET
PUMP.NOT.....

Jet Pump



Regal and Leeson are trademarks of Regal Beloit Corporation or one of its affiliated companies.

©2018 Regal Beloit Corporation, All Rights Reserved. MC017097E





Nameplate Specifications

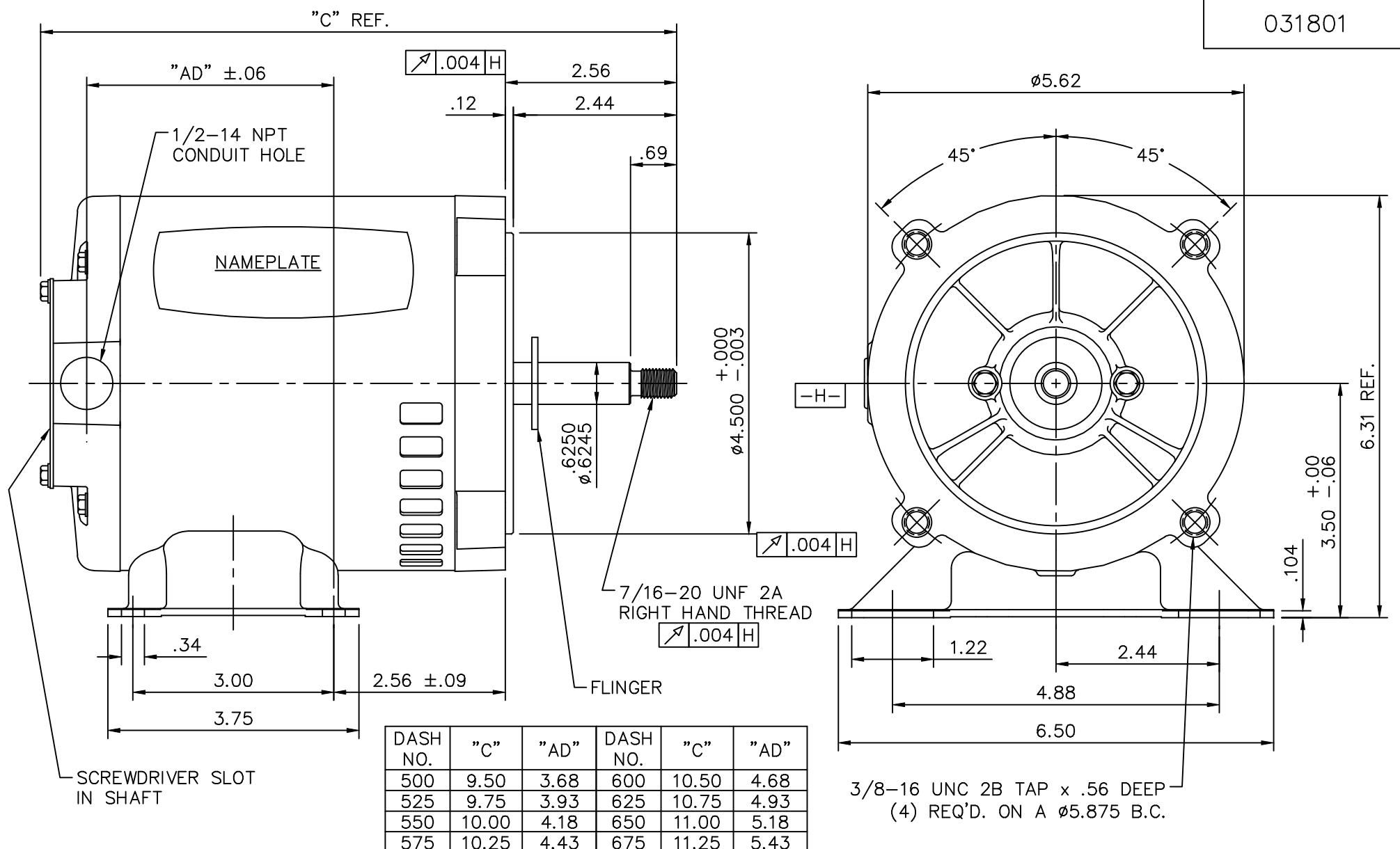
Output HP	0.50 Hp	Output KW	0.37 kW
Frequency	60 Hz	Voltage	208-230/460 V
Current	1.6-1.8/0.90 A	Speed	3450 rpm
Service Factor	1.25	Phase	3
Efficiency	69 %	Duty	Continuous
Insulation Class	B	Design Code	NO DESIGN CODE
KVA Code	L	Frame	S56J
Enclosure	Drip Proof	Overload Protector	No
Ambient Temperature	40 °C	Drive End Bearing Size	6203
Opp Drive End Bearing Size	6203	UL	Recognized
CSA	Y	CE	N
IP Code	22		

Technical Specifications

Electrical Type	Squirrel Cage Induction Run	Starting Method	Across The Line
Poles	2	Rotation	Reversible
Mounting	Rigid base	Motor Orientation	HORIZONTAL
Drive End Bearing	BALL	Opp Drive End Bearing	BALL
Frame Material	Rolled Steel	Shaft Type	J
Overall Length	9.75 in	Frame Length	5.25 in
Shaft Diameter	0.625 in	Shaft Extension	2.44 in
Assembly/Box Mounting	F1/F2 CAPABLE		
Outline Drawing	031801-525	Connection Diagram	005010.01

This is an uncontrolled document once printed or downloaded and is subject to change without notice. Date Created: 10/15/2018

031801

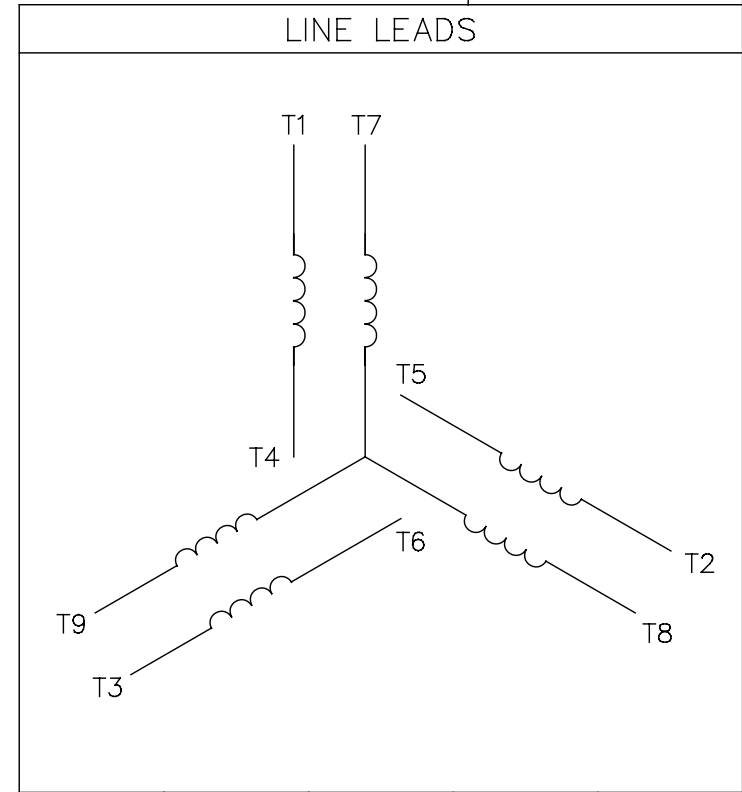


DASH NO.	"C"	"AD"	DASH NO.	"C"	"AD"
500	9.50	3.68	600	10.50	4.68
525	9.75	3.93	625	10.75	4.93
550	10.00	4.18	650	11.00	5.18
575	10.25	4.43	675	11.25	5.43

NO.		REVISION	BY & DATE	CHK	ANG	TOLERANCES UNLESS SPECIFIED	TITLE	DRAWN PG 02/16/05
						DEC. INCHES		
						.X ±.1	APPD PG 02/16/05	
						.XX ±.03	OUTLINE - S56J FRAME RIGID "C" FACE - DRIP PROOF	SCALE 1=2
						.XXX ±.005		REF 031629
						.XXXX ±.0005	3 PHASE	FMF 101775.00
						FINISH		PREV
						RFP	CAD FILE 031801	SIZE A
						DIST		DRAWING NO. 031801
								REV.

005010-01

VIEW FROM OUTSIDE OF MOTOR AT SWITCH END.



VOLTAGE	L1	L2	L3	JOIN & INSULATE
HIGH	T1	T2	T3	(T4,T7) (T5,T8) (T6,T9)
LOW	T1,T7	T2,T8	T3,T9	T4,T5,T6

				TOLERANCES UNLESS SPECIFIED		REGAL ™ Regal Beloit America, Inc.		DRAWN RDW 04/12/02			
				DEC.	INCHES			CHK			
				.X	±.1			APPD			
				.XX	±.01			SCALE 1=1			
				.XXX	±.005	TITLE		REF FIG.2-51			
A	UPDATED TO REGAL LOGO	SAJ 06/26/15	AJY	.XXXX	±.0005	MAT'L.		FMF			
NO.	REVISION	BY & DATE	CHK	ANG	±1/2"	FINISH		PREV			
THIS DRAWING IN DESIGN AND DETAIL IS OUR PROPERTY AND MUST NOT BE USED EXCEPT IN CONNECTION WITH OUR WORK ALL RIGHTS OF DESIGN AND INVENTION ARE RESERVED THIS IS AN ELECTRONICALLY GENERATED DOCUMENT - DO NOT SCALE THIS PRINT				RFP	04/12/02	CAD FILE		00501001	SIZE	DRAWING NO.	REV.
				DIST		BRF-NLV		A	005010-01	A	

