

PRODUCT INFORMATION PACKET



Model No: C4C34FB9C

Catalog No: 102020.00

1/2HP..3450RPM.48.TEFC.115/208-230V.1PH.60HZ.CONT.NOT.40C.1.15SF.RIGID.GENERAL
PURPOSE.C4C34FB9C

Totally Enclosed Fan Cooled (TEFC)



Regal and Leeson are trademarks of Regal Beloit Corporation or one of its affiliated companies.

©2018 Regal Beloit Corporation, All Rights Reserved. MC017097E





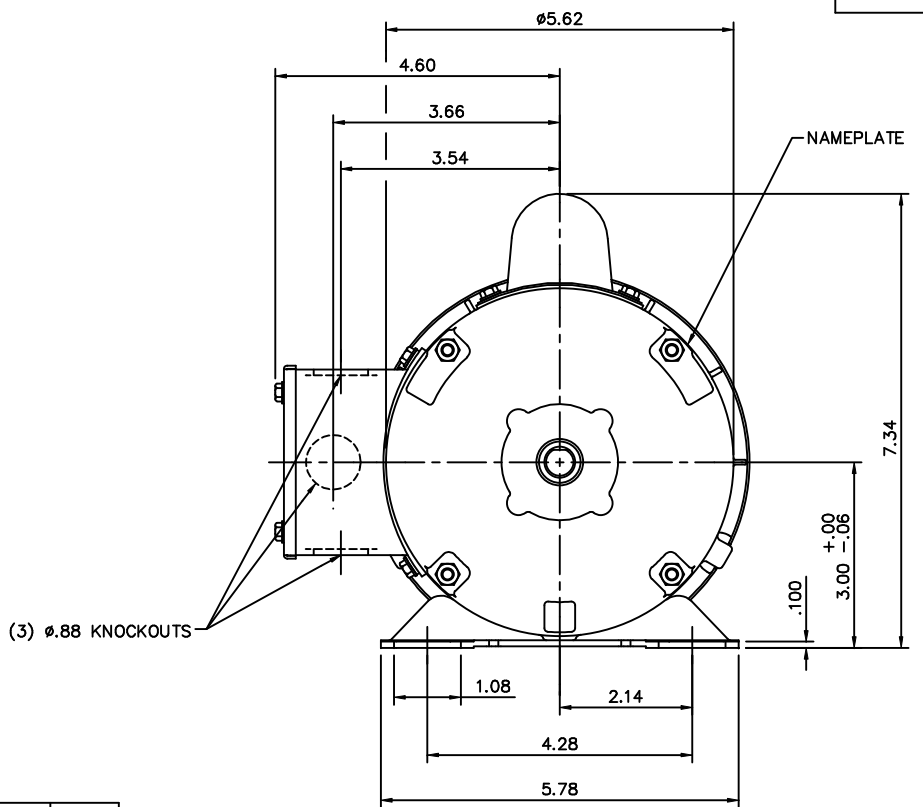
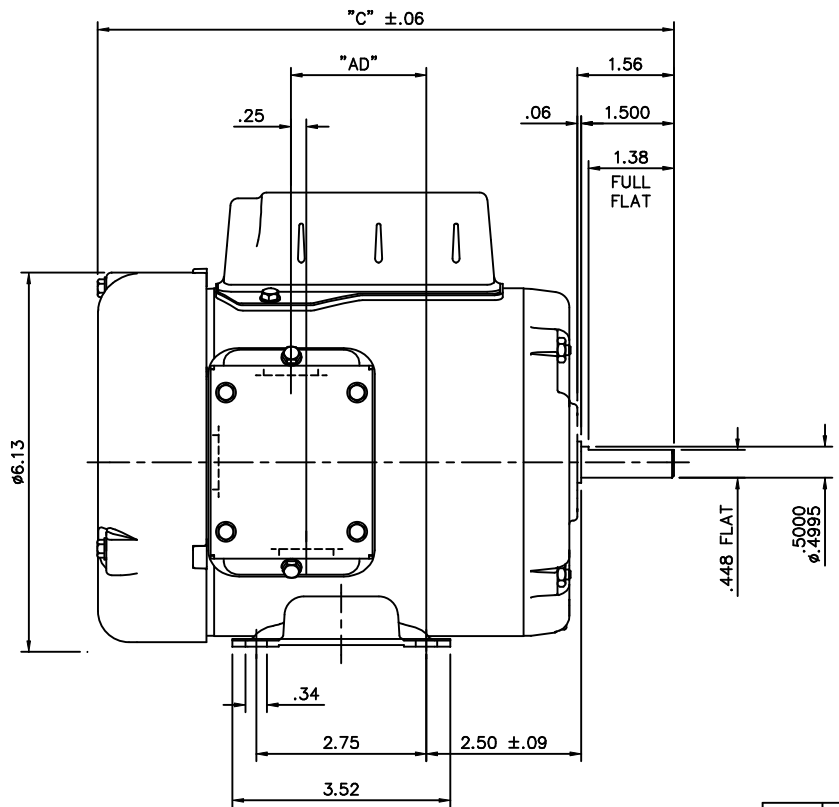
Nameplate Specifications

Output HP	0.50 Hp	Output KW	0.37 kW
Frequency	60 Hz	Voltage	115/208-230 V
Current	7.0/3.4-3.5 A	Speed	3450 rpm
Service Factor	1.15	Phase	1
Efficiency	66 %	Duty	Continuous
Insulation Class	B	Design Code	N
KVA Code	L	Frame	48
Enclosure	Totally Enclosed Fan Cooled	Overload Protector	No
Ambient Temperature	40 °C	Drive End Bearing Size	6203
Opp Drive End Bearing Size	6203	UL	Recognized
CSA	Y	CE	N
IP Code	43		

Technical Specifications

Electrical Type	Capacitor Start Induction Run	Starting Method	Across The Line
Poles	2	Rotation	Selective Counterclockwise
Mounting	Rigid base	Motor Orientation	HORIZONTAL
Drive End Bearing	BALL	Opp Drive End Bearing	BALL
Frame Material	Rolled Steel	Shaft Type	NEMA 48
Overall Length	9.31 in	Frame Length	5.00 in
Shaft Diameter	0.500 in	Shaft Extension	1.5 in
Assembly/Box Mounting	F1 ONLY		
Outline Drawing	031633-500	Connection Diagram	005005.44

This is an uncontrolled document once printed or downloaded and is subject to change without notice. Date Created: 10/15/2018

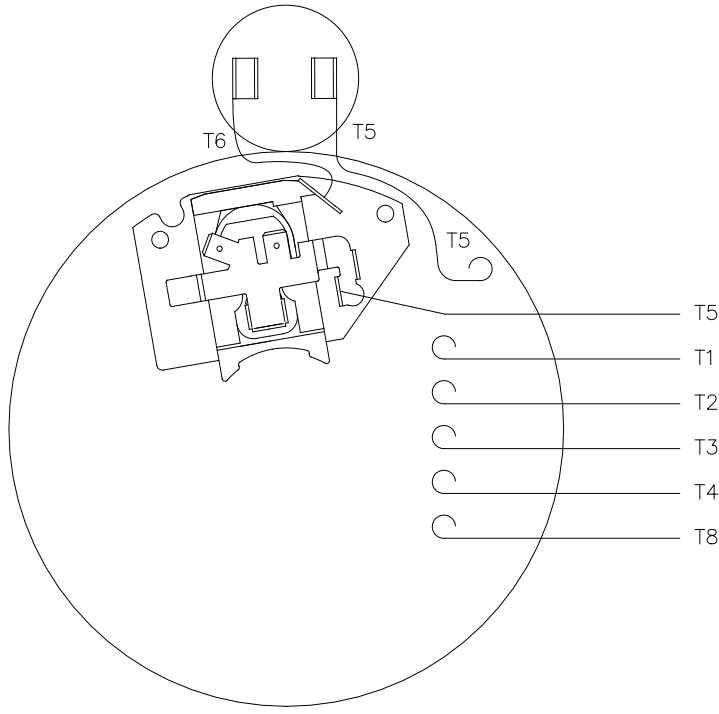


DASH NO.	"C"	"AD"
475	9.06	1.94
500	9.31	2.19
525	9.56	2.44
550	9.81	2.69
575	10.06	2.94
600	10.31	3.19
625	10.56	3.44
650	10.81	3.69
675	11.06	3.94
700	11.31	4.19
725	11.56	4.44

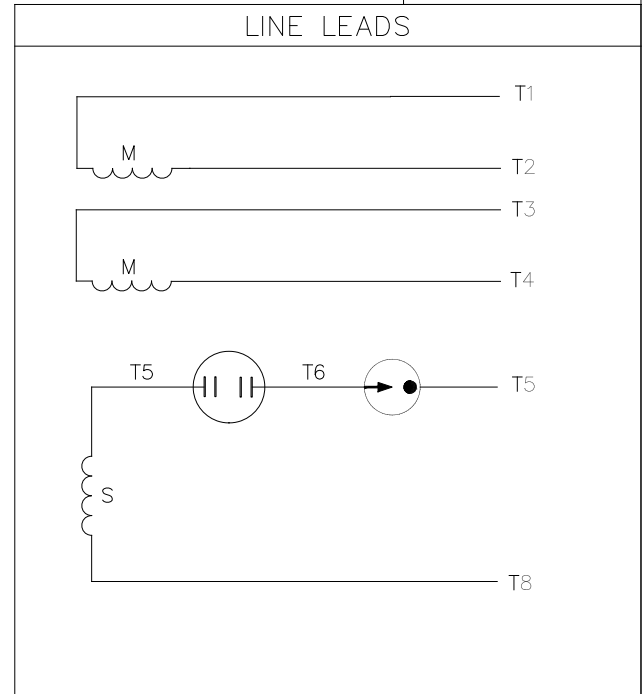
GASKETS THROUGHOUT

		TOLERANCES UNLESS SPECIFIED		LEESON ELECTRIC MOTORS GEARMOTORS AND DRIVES	DRAWN PG 5/30/01
		DEC.	INCHES		CHK
		.X	±.1	TITLE	APPD
		.XX	±.03	OUTLINE - 48 FRAME RIGID MOUNT - TEFC	SCALE 1=2
02	ADDED DASH NO. 725 (PR040408)	KMM	7/30/04	.XXX ±.005	REF 030391
01	ADDED DASH NO. 700 (PR030708)	PG	12/18/03	.XXXX ±.0005	FMF
NO.	REVISION	BY & DATE	CHK	ANG ±1/2°	FINISH
THIS DRAWING IN DESIGN AND DETAIL IS OUR PROPERTY AND MUST NOT BE USED EXCEPT IN CONNECTION WITH OUR WORK ALL RIGHTS OF DESIGN AND INVENTION ARE RESERVED THIS IS AN ELECTRONICALLY GENERATED DOCUMENT - DO NOT SCALE THIS PRINT				RFP	CAD FILE 031633
				DIST	SIZE B DRAWING NO. 031633
					REV. 02


005005-44



VIEW FROM OUTSIDE OF MOTOR AT SWITCH END



	ROTATION FACING LEAD END	L1	L2	JOIN
HIGH VOLT	C.C.W.	T1	T4, T5	T2, T3 T8
	C.W.	T1	T4, T8	T2, T3 T5
LOW VOLT	C.C.W.	T1 T3, T8	T2, T4 T5	
	C.W.	T1 T3, T5	T2, T4 T8	

				TOLERANCES UNLESS OTHERWISE SPECIFIED			 Regal Beloit America, Inc.	
				DEC.	INCHES	METRIC		
				.X	±.1	±2.5	DRAWN PG 5/7/01	TITLE EXTERNAL WIRING DIAGRAM TYPE "C" W/O PROTECTOR
				.XX	±.01	±.25	APPR.	MAT'L. DUAL VOLTAGE - DUAL ROTATION
01	MOVED T5 TO "INSIDE" SWITCH TERMINAL	PG 8/2/01		.XXX	±.005	±.127	R.F.P.	
NO.	REVISION	BY & DATE	CH'K'D.	.XXXX	±.0005	±.0127	SCALE 5=8	
THIS DRAWING IN DESIGN AND DETAIL IS OUR PROPERTY AND MUST NOT BE USED EXCEPT IN CONNECTION WITH OUR WORK ALL RIGHTS OF DESIGN AND INVENTION ARE RESERVED THIS IS AN ELECTRONICALLY GENERATED DOCUMENT - DO NOT SCALE THIS PRINT				FRACTIONS	±1/64		REF. 005005-01	FINISH
				ANGLES	±1/2'		FMF 100006	REV. 01

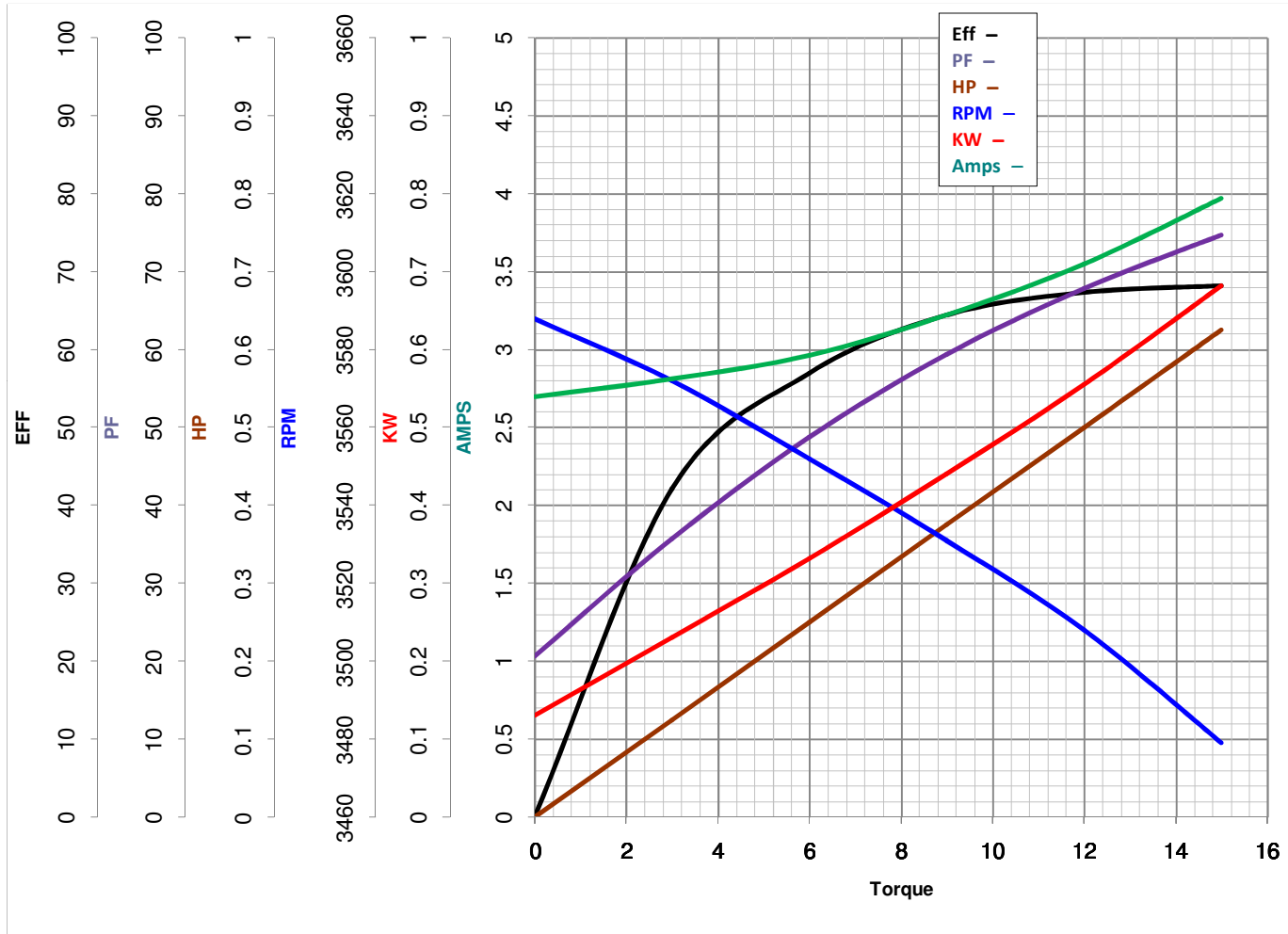


LEESON ELECTRIC CORPORATION
TYPICAL PERFORMANCE CURVE for AC MOTOR

Model No 102020.00

Catalog No 102020.00

Curve at 230 Volts HP 0.50 PHASE 1
60 HZ
0.5 HP VOLTS 115/208-230
 HZ 60 RPM 3450



Torque in Oz.Ft

FL TORQUE 12 Oz.Ft
 BD TORQUE 35.2 Oz.Ft
 LR TORQUE 34.6 Oz.Ft

FL AMPS 7/3.4-3.5
 PU TORQUE 31.5 Oz.Ft
 LR AMPS 20.5

WINDING CE482235-3

Date 3/22/2018