

# PRODUCT INFORMATION PACKET



Model No: C4C11FB5C

Catalog No: 102019.00

1/3HP..1140RPM.48.TEFC.115/208-230V.1PH.60HZ.CONT.NOT.40C.1.0SF.RIGID.GENERAL  
PURPOSE.C4C11FB5C

Totally Enclosed Fan Cooled (TEFC)



Regal and Leeson are trademarks of Regal Beloit Corporation or one of its affiliated companies.

©2018 Regal Beloit Corporation, All Rights Reserved. MC017097E





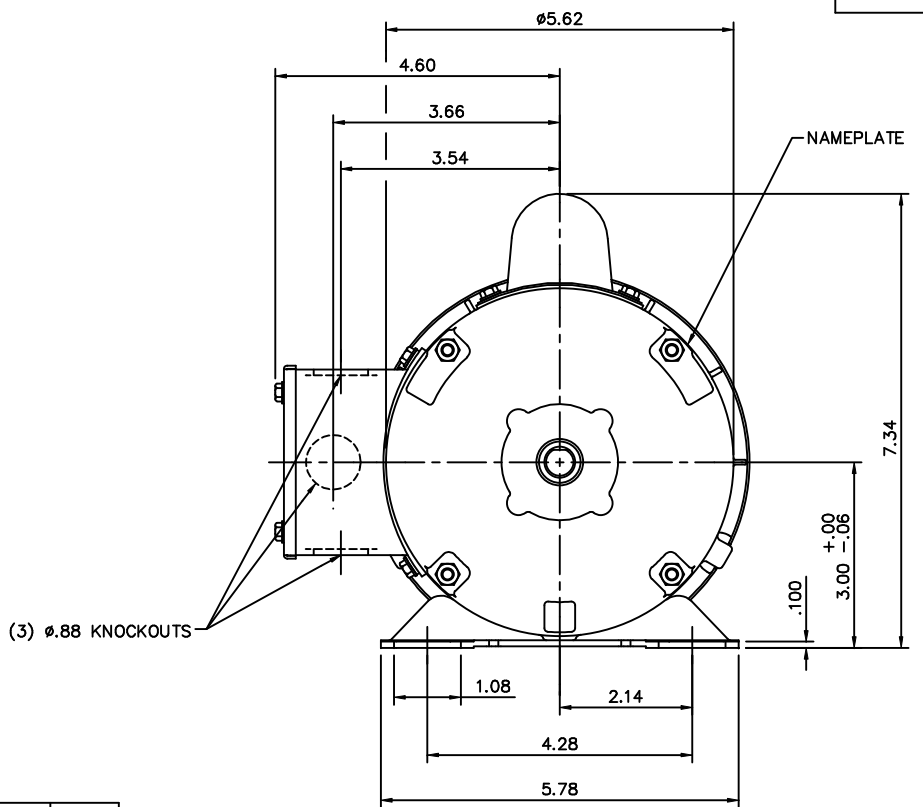
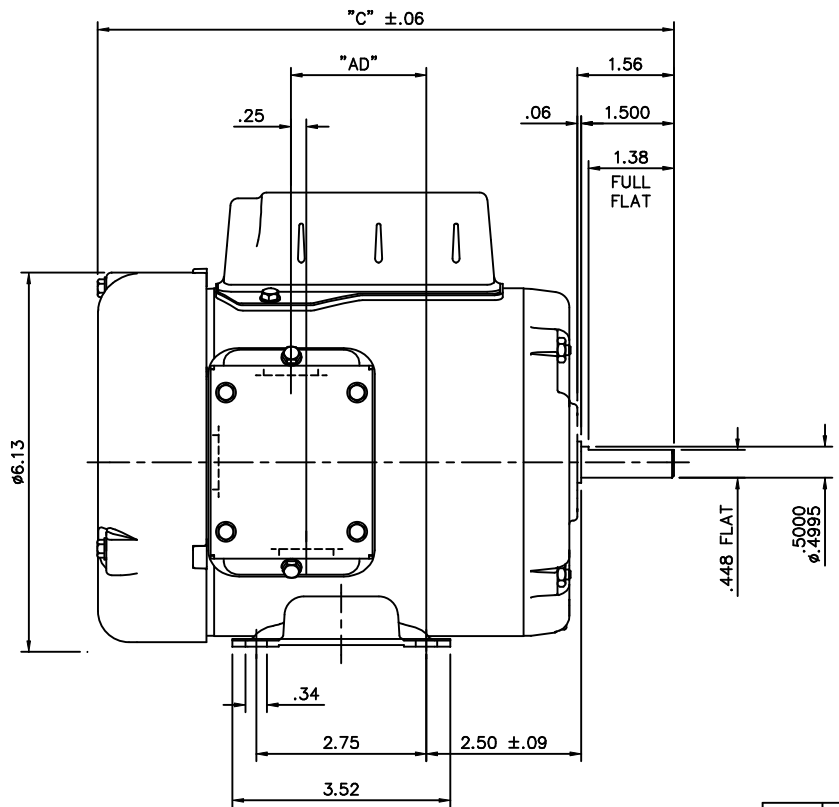
### Nameplate Specifications

Output HP	<b>0.33 Hp</b>	Output KW	<b>0.25 kW</b>
Frequency	<b>60 Hz</b>	Voltage	<b>115/208-230 V</b>
Current	<b>6.2/3.0-3.1 A</b>	Speed	<b>1140 rpm</b>
Service Factor	<b>1</b>	Phase	<b>1</b>
Efficiency	<b>59 %</b>	Duty	<b>Continuous</b>
Insulation Class	<b>F</b>	Design Code	<b>N</b>
KVA Code	<b>L</b>	Frame	<b>48</b>
Enclosure	<b>Totally Enclosed Fan Cooled</b>	Overload Protector	<b>No</b>
Ambient Temperature	<b>40 °C</b>	Drive End Bearing Size	<b>6203</b>
Opp Drive End Bearing Size	<b>6203</b>	UL	<b>Recognized</b>
CSA	<b>Y</b>	CE	<b>N</b>
IP Code	<b>43</b>		

### Technical Specifications

Electrical Type	<b>Capacitor Start Induction Run</b>	Starting Method	<b>Across The Line</b>
Poles	<b>6</b>	Rotation	<b>Selective Counterclockwise</b>
Mounting	<b>Rigid base</b>	Motor Orientation	<b>HORIZONTAL</b>
Drive End Bearing	<b>BALL</b>	Opp Drive End Bearing	<b>BALL</b>
Frame Material	<b>Rolled Steel</b>	Shaft Type	<b>NEMA 48</b>
Overall Length	<b>11.56 in</b>	Frame Length	<b>7.25 in</b>
Shaft Diameter	<b>0.500 in</b>	Shaft Extension	<b>1.5 in</b>
Assembly/Box Mounting	<b>F1 ONLY</b>		
Outline Drawing	<b>031633-725</b>	Connection Diagram	<b>005005.44</b>

This is an uncontrolled document once printed or downloaded and is subject to change without notice. Date Created: 10/15/2018

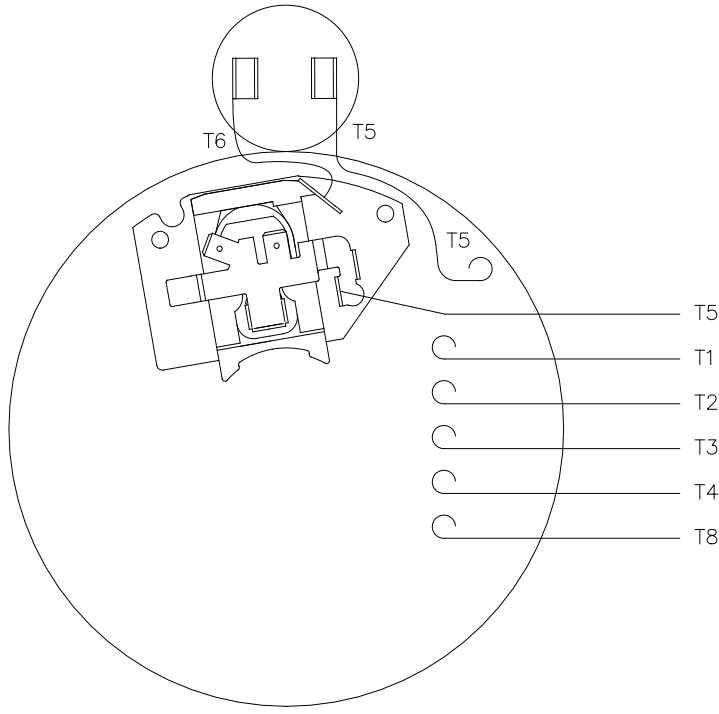


DASH NO.	"C"	"AD"
475	9.06	1.94
500	9.31	2.19
525	9.56	2.44
550	9.81	2.69
575	10.06	2.94
600	10.31	3.19
625	10.56	3.44
650	10.81	3.69
675	11.06	3.94
700	11.31	4.19
725	11.56	4.44

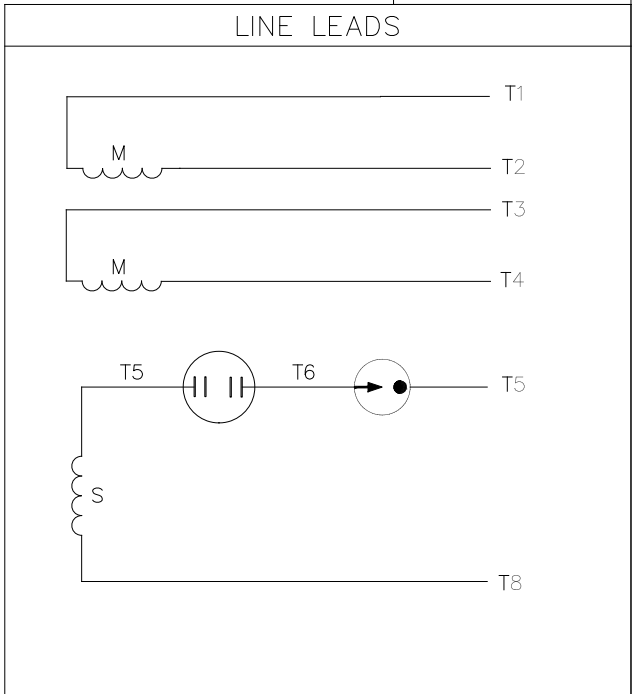
GASKETS THROUGHOUT

		TOLERANCES UNLESS SPECIFIED		<b>LEESON</b> ELECTRIC MOTORS GEARMOTORS AND DRIVES	DRAWN PG 5/30/01
		DEC.	INCHES		CHK
		.X	±.1		APPD
		.XX	±.03	TITLE	SCALE 1=2
02	ADDED DASH NO. 725 (PR040408)	KMM	7/30/04	OUTLINE - 48 FRAME RIGID MOUNT - TEFC	REF 030391
01	ADDED DASH NO. 700 (PR030708)	PG	12/18/03	MAT'L 1 PHASE	FMF
NO.	REVISION	BY & DATE	CHK ANG ±1/2"	FINISH	PREV
THIS DRAWING IN DESIGN AND DETAIL IS OUR PROPERTY AND MUST NOT BE USED EXCEPT IN CONNECTION WITH OUR WORK ALL RIGHTS OF DESIGN AND INVENTION ARE RESERVED THIS IS AN ELECTRONICALLY GENERATED DOCUMENT - DO NOT SCALE THIS PRINT				RFP CAD FILE 031633	SIZE B DRAWING NO. 031633
				DIST	REV. 02


005005-44



VIEW FROM OUTSIDE OF MOTOR AT SWITCH END



	ROTATION FACING LEAD END	L1	L2	JOIN
HIGH VOLT	C.C.W.	T1	T4, T5	T2, T3 T8
	C.W.	T1	T4, T8	T2, T3 T5
LOW VOLT	C.C.W.	T1 T3, T8	T2, T4 T5	
	C.W.	T1 T3, T5	T2, T4 T8	

				TOLERANCES UNLESS OTHERWISE SPECIFIED			 <b>Regal Beloit America, Inc.</b>	
				DEC.	INCHES	METRIC		
				.X	±.1	±2.5	DRAWN PG 5/7/01	TITLE EXTERNAL WIRING DIAGRAM TYPE "C" W/O PROTECTOR
				.XX	±.01	±.25	APPR.	MAT'L. DUAL VOLTAGE - DUAL ROTATION
01	MOVED T5 TO "INSIDE" SWITCH TERMINAL	PG 8/2/01		.XXX	±.005	±.127	R.F.P.	
NO.	REVISION	BY & DATE	CH'K'D.	.XXXX	±.0005	±.0127	SCALE 5=8	
THIS DRAWING IN DESIGN AND DETAIL IS OUR PROPERTY AND MUST NOT BE USED EXCEPT IN CONNECTION WITH OUR WORK ALL RIGHTS OF DESIGN AND INVENTION ARE RESERVED THIS IS AN ELECTRONICALLY GENERATED DOCUMENT - DO NOT SCALE THIS PRINT				FRACTIONS	±1/64		REF. 005005-01	FINISH
				ANGLES	±1/2'		FMF 100006	REV. 01

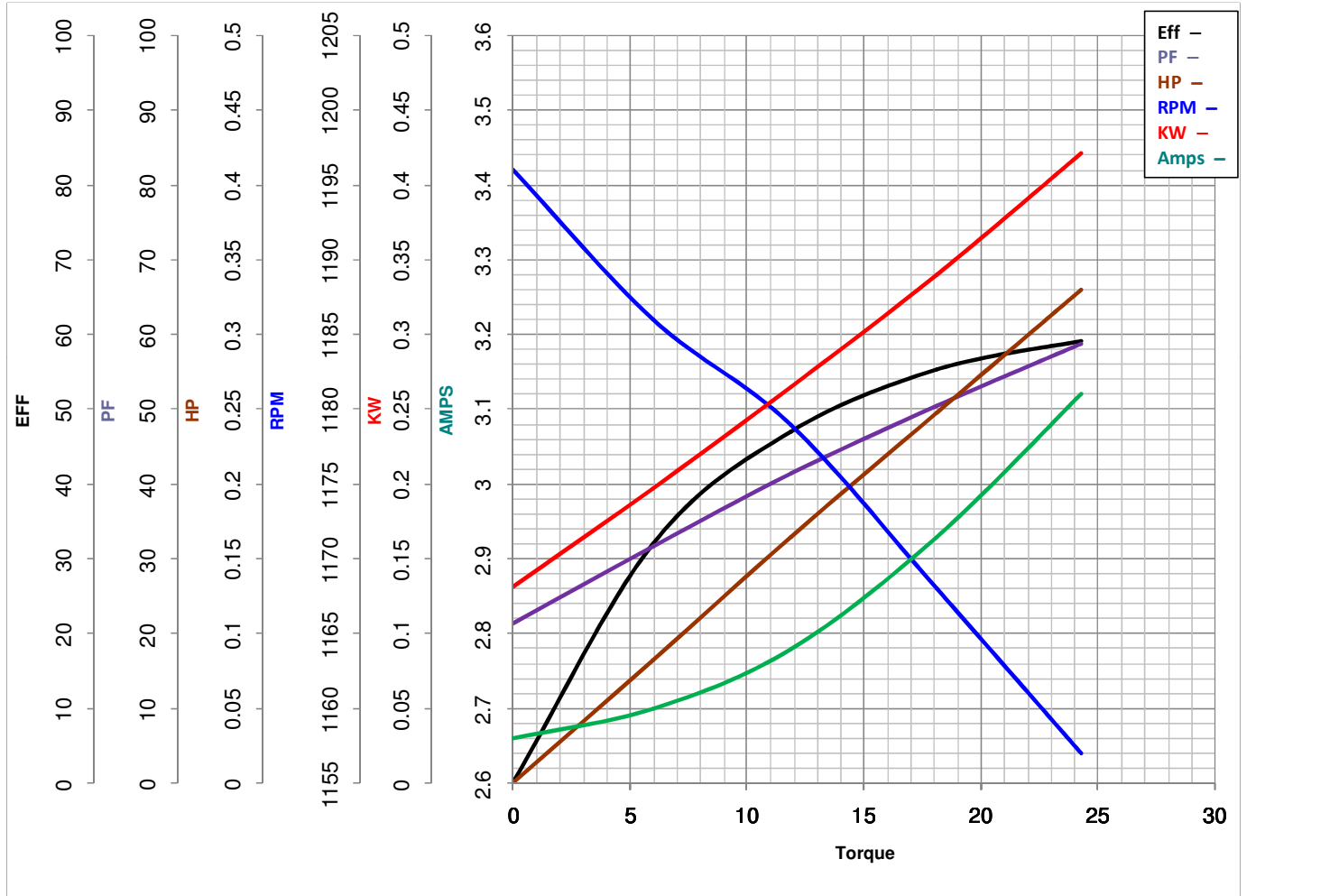


**LEESON ELECTRIC CORPORATION**  
TYPICAL PERFORMANCE CURVE for AC MOTOR

Model No 102019.00

Catalog No 102019.00

Curve at 230 Volts      HP 0.33      PHASE 1  
60 HZ  
0.33 HP      VOLTS 115/208-230  
HZ 60      RPM 1140



<b>FL TORQUE</b>	<u>24.26</u> Oz.Ft	<b>FL AMPS</b>	<u>6.2/3-3.1</u>
<b>BD TORQUE</b>	<u>59.5</u> Oz.Ft	<b>PU TORQUE</b>	<u>41.1</u> Oz.Ft
<b>LR TORQUE</b>	<u>76.6</u> Oz.Ft	<b>LR AMPS</b>	<u>13.3</u>
<b>WINDING</b>	CE48617-3	<b>Date</b>	<u>4/11/2018</u>