

PRODUCT INFORMATION PACKET



Model No: M4P17DC29B

Catalog No: 102017.00

...1/3HP..1625/1350RPM.S56.DP./115V.1PH.60/50HZ.CONT.40C.1.0/1.0SF.ROUND.M4P17DC29B.....INSTANT REVERSING.MANUAL.....

Instant Reversing



Regal and Leeson are trademarks of Regal Beloit Corporation or one of its affiliated companies.

©2018 Regal Beloit Corporation, All Rights Reserved. MC017097E





Nameplate Specifications

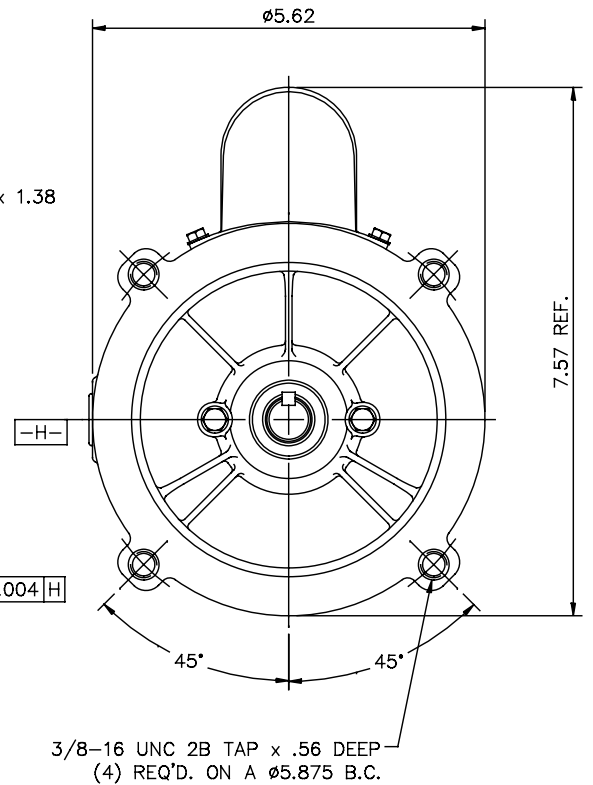
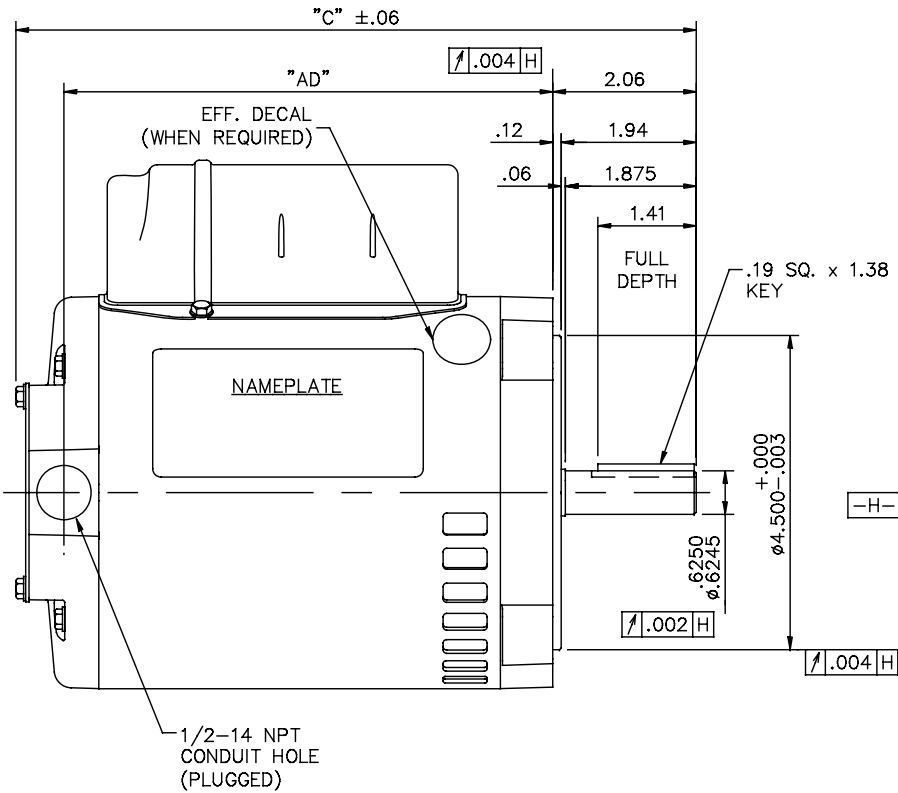
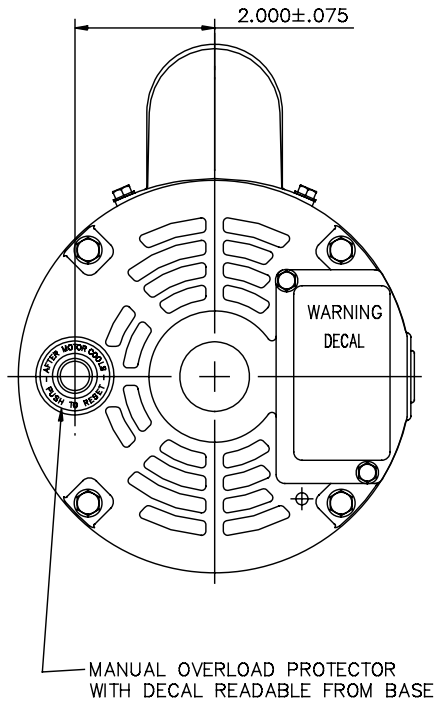
Output HP	0.33 Hp	Output KW	0.25 kW
Frequency	60 Hz	Voltage	115 V
Current	4.2 A	Speed	1625 rpm
Service Factor	1	Phase	1
Efficiency	53 %	Duty	60 Minute
Insulation Class	B	Design Code	N
KVA Code	A	Frame	S56C
Enclosure	Drip Proof	Overload Protector	Manual
Ambient Temperature	40 °C	Drive End Bearing Size	6203
Opp Drive End Bearing Size	6203	UL	Recognized
CSA	Y	CE	N
IP Code	22		

Technical Specifications

Electrical Type	Permanent Split Capacitor	Starting Method	Across The Line
Poles	4	Rotation	Selective Counterclockwise
Mounting	Round	Motor Orientation	HORIZONTAL
Drive End Bearing	BALL	Opp Drive End Bearing	BALL
Frame Material	Rolled Steel	Shaft Type	NEMA 56
Overall Length	9.99 in	Frame Length	6.00 in
Shaft Diameter	0.625 in	Shaft Extension	1.88 in
Assembly/Box Mounting	F1 ONLY		
Outline Drawing	031777-600	Connection Diagram	005024.08

This is an uncontrolled document once printed or downloaded and is subject to change without notice. Date Created: 10/15/2018

031777

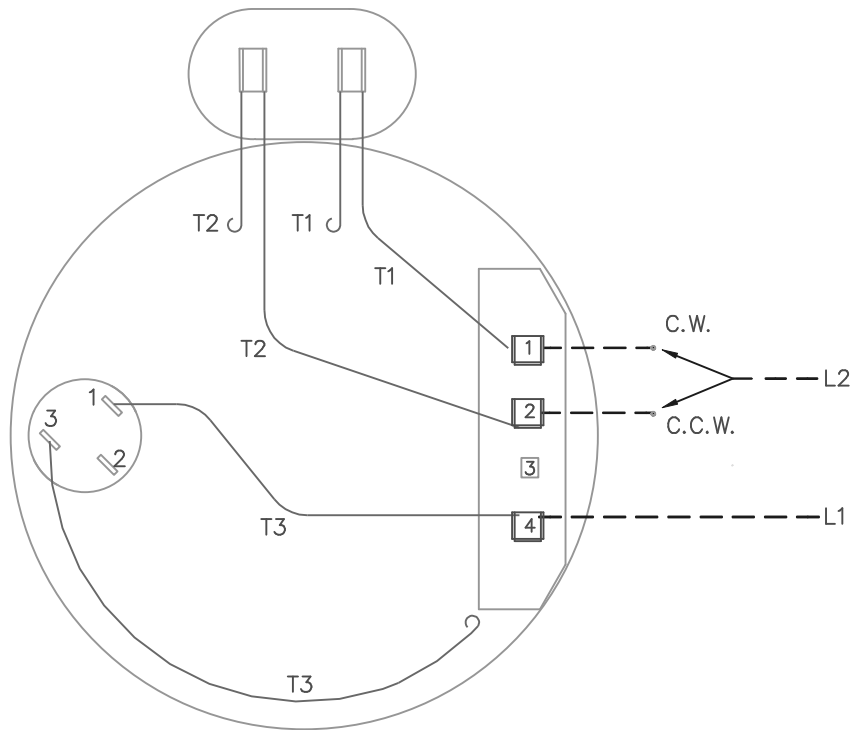


DASH NO.	"C"	"AD"	DASH NO.	"C"	"AD"
525	9.24	6.50	700	10.99	8.25
550	9.49	6.75	725	11.24	8.50
575	9.74	7.00	750	11.49	8.75
600	9.99	7.25	775	11.74	9.00
625	10.24	7.50	800	11.99	9.25
650	10.49	7.75	825	12.24	9.50
675	10.74	8.00	850	12.49	9.75

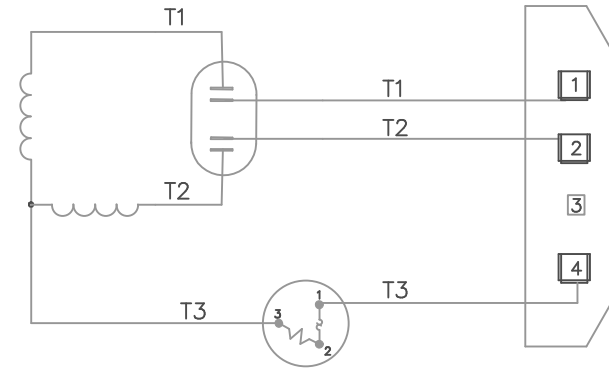
		TOLERANCES UNLESS SPECIFIED		ELECTRIC MOTORS GEARMOTORS AND DRIVES		DRAWN PG 7/29/04			
		DEC.	INCHES			CHK	APPD		
		.X	±.1			SCALE	1=2		
		.XX	±.03	TITLE		REF	031070		
		.XXX	±.005			FMF	102017.00		
01	UPDATED FOR DECAL & LEFT VIEW	JD	10/08/15	.XXXX	±.0005	MAT'L.	1 PHASE		
NO.	REVISION	BY & DATE	CHK	ANG	±1/2°	FINISH	PREV		
THIS DRAWING IN DESIGN AND DETAIL IS OUR PROPERTY AND MUST NOT BE USED EXCEPT IN CONNECTION WITH OUR WORK ALL RIGHTS OF DESIGN AND INVENTION ARE RESERVED THIS IS AN ELECTRONICALLY GENERATED DOCUMENT - DO NOT SCALE THIS PRINT				RFP	CAD FILE	031777	SIZE	DRAWING NO.	REV.
				DIST			A	031777	01

005024-08

VIEW FROM OUTSIDE OF MOTOR AT SWITCH END.

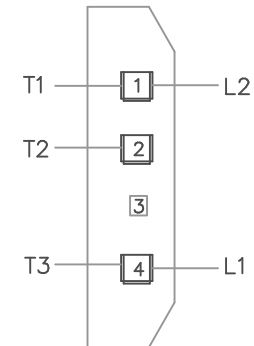
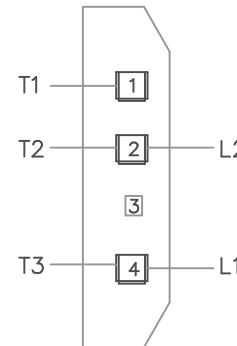


LINE LEADS



C.C.W. L.E.

C.W. L.E.



				TOLERANCES UNLESS OTHERWISE SPECIFIED		LEESON ELECTRIC CORPORATION			
				DECIMALS					
				.00	± .01	DRAWN DLL 11/30/82	TITLE		
				.000	± .005	CH'K'D. ADH 12/01/82	EXTERNAL WIRING DIAGRAM		
01	REDRAWN ON CAD	DBT	06/19/97	.0000	± .0005	APPR. JCW 12/01/82	TYPE "P" W/PROTECTOR		
NO.	REVISION	BY	DATE	FRACTIONS	± 1/64	SCALE 1=1	MAT'L. DECAL - 080094		
THIS DRAWING IN DESIGN AND DETAIL IS OUR PROPERTY AND MUST NOT BE USED EXCEPT IN CONNECTION WITH OUR WORK ALL RIGHTS OF DESIGN AND INVENTION ARE RESERVED				ANGLES	± 1/2"	REF. PG.5	FINISH AUTOMATIC	SIZE	DRAWING NO.
				INCH/MM		FMF 4P17DJ5	PARKING DEV.	A	005024-08

BRF

