

PRODUCT INFORMATION PACKET



Model No: C4C17FB21E

Catalog No: 102014.00

1/4HP..1725RPM.48.TEFC.115/208-230V.1PH.60HZ.CONT.NOT.40C.1.15SF.RIGID.GENERAL
PURPOSE.C4C17FB21E

Totally Enclosed Fan Cooled (TEFC)



Regal and Leeson are trademarks of Regal Beloit Corporation or one of its affiliated companies.

©2018 Regal Beloit Corporation, All Rights Reserved. MC017097E





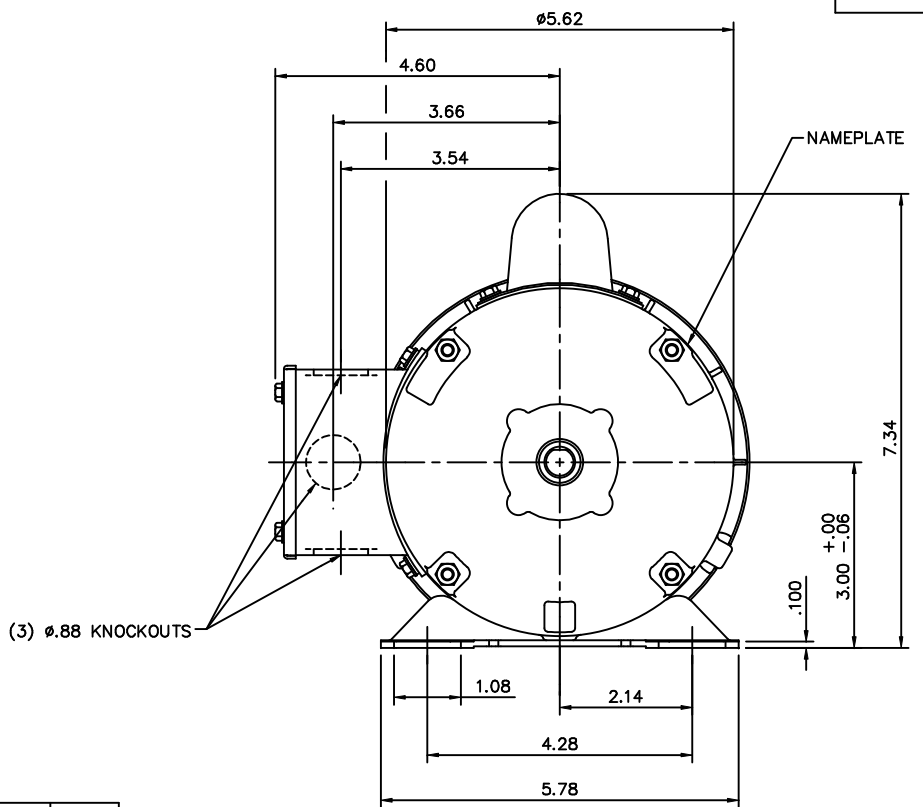
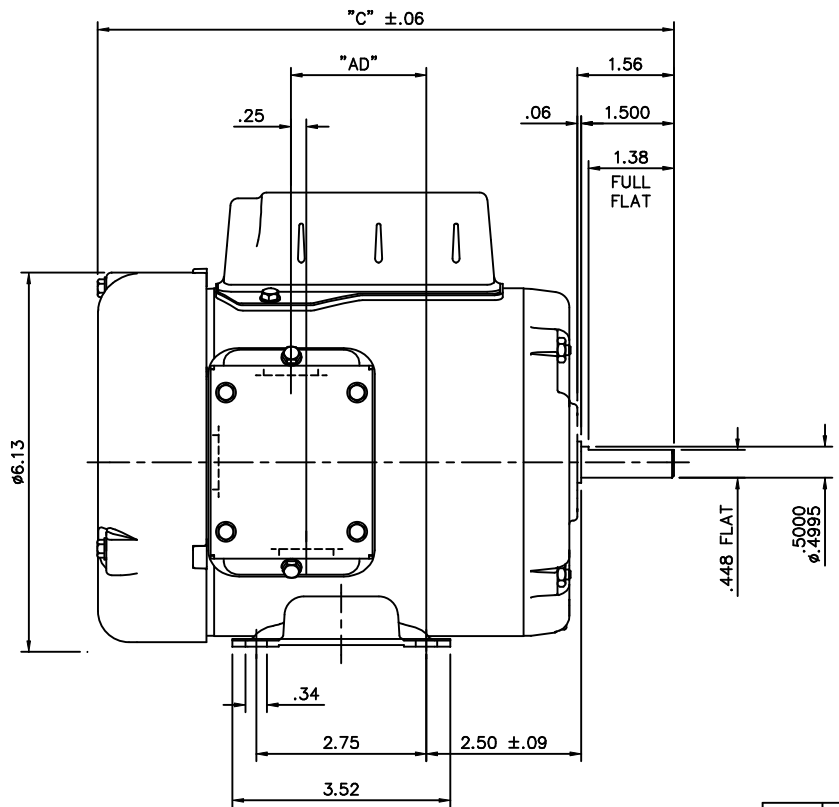
Nameplate Specifications

| | | | |
|----------------------------|------------------------------------|------------------------|----------------------|
| Output HP | 0.25 Hp | Output KW | 0.19 kW |
| Frequency | 60 Hz | Voltage | 115/208-230 V |
| Current | 5.4/2.4-2.7 A | Speed | 1725 rpm |
| Service Factor | 1.15 | Phase | 1 |
| Efficiency | 56 % | Duty | Continuous |
| Insulation Class | B | Design Code | N |
| KVA Code | M | Frame | 48 |
| Enclosure | Totally Enclosed Fan Cooled | Overload Protector | No |
| Ambient Temperature | 40 °C | Drive End Bearing Size | 6203 |
| Opp Drive End Bearing Size | 6203 | UL | Recognized |
| CSA | Y | CE | N |
| IP Code | 43 | | |

Technical Specifications

| | | | |
|-----------------------|--------------------------------------|-----------------------|-----------------------------------|
| Electrical Type | Capacitor Start Induction Run | Starting Method | Across The Line |
| Poles | 4 | Rotation | Selective Counterclockwise |
| Mounting | Rigid base | Motor Orientation | HORIZONTAL |
| Drive End Bearing | BALL | Opp Drive End Bearing | BALL |
| Frame Material | Rolled Steel | Shaft Type | NEMA 48 |
| Overall Length | 9.06 in | Frame Length | 4.75 in |
| Shaft Diameter | 0.500 in | Shaft Extension | 1.5 in |
| Assembly/Box Mounting | F1 ONLY | | |
| Outline Drawing | 031633-475 | Connection Diagram | 005005.44 |

This is an uncontrolled document once printed or downloaded and is subject to change without notice. Date Created: 10/15/2018

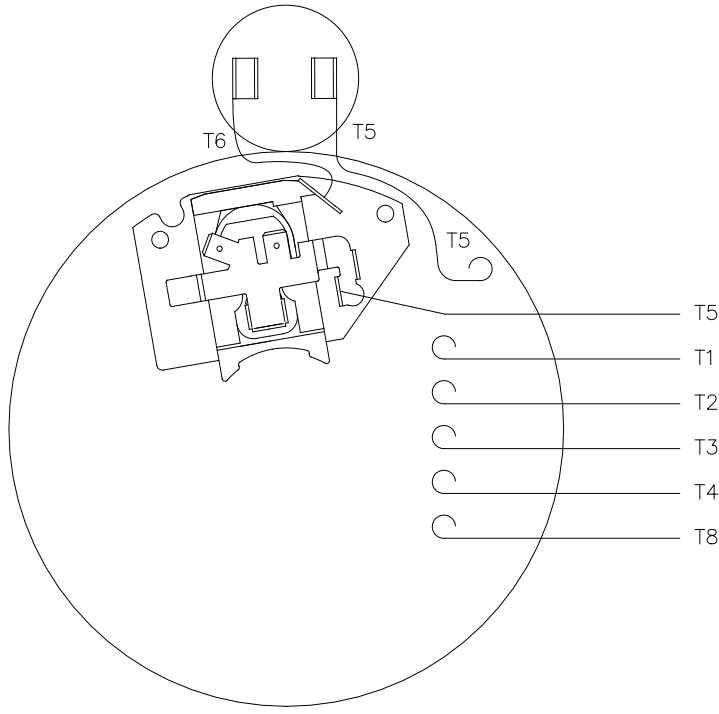


| DASH NO. | "C" | "AD" |
|----------|-------|------|
| 475 | 9.06 | 1.94 |
| 500 | 9.31 | 2.19 |
| 525 | 9.56 | 2.44 |
| 550 | 9.81 | 2.69 |
| 575 | 10.06 | 2.94 |
| 600 | 10.31 | 3.19 |
| 625 | 10.56 | 3.44 |
| 650 | 10.81 | 3.69 |
| 675 | 11.06 | 3.94 |
| 700 | 11.31 | 4.19 |
| 725 | 11.56 | 4.44 |

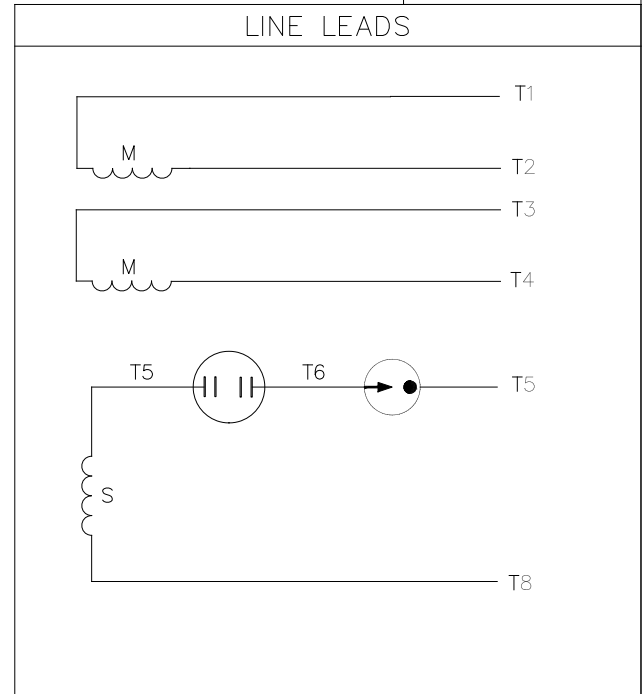
GASKETS THROUGHOUT

| | | | | | | |
|--|----------|-----------------------------|----------|--|---|--------------------|
| | | TOLERANCES UNLESS SPECIFIED | | LEESON | ELECTRIC MOTORS GEARMOTORS AND DRIVES | DRAWN PG 5/30/01 |
| | | DEC. | INCHES | | | CHK |
| | | .X | ±.1 | TITLE | | APPD |
| 02 ADDED DASH NO. 725 (PR040408) | | KMM | 7/30/04 | OUTLINE - 48 FRAME RIGID MOUNT - TEFC | | SCALE 1=2 |
| 01 ADDED DASH NO. 700 (PR030708) | | PG | 12/18/03 | MAT'L 1 PHASE | | REF 030391 |
| NO. | REVISION | BY & DATE | CHK | ANG | FINISH | FMF |
| THIS DRAWING IN DESIGN AND DETAIL IS OUR PROPERTY AND MUST NOT BE USED EXCEPT IN CONNECTION WITH OUR WORK ALL RIGHTS OF DESIGN AND INVENTION ARE RESERVED THIS IS AN ELECTRONICALLY GENERATED DOCUMENT - DO NOT SCALE THIS PRINT | | | RFP | CAD FILE | 031633 | PREV |
| | | | | DIST | SIZE B | DRAWING NO. 031633 |
| | | | | | | REV. 02 |


005005-44



VIEW FROM OUTSIDE OF MOTOR AT SWITCH END



| | ROTATION FACING LEAD END | L1 | L2 | JOIN |
|--------------|--------------------------------|--------------|--------------|--------------|
| HIGH VOLT | C.C.W. | T1 | T4, T5 | T2, T3 T8 |
| | C.W. | T1 | T4, T8 | T2, T3 T5 |
| LOW VOLT | C.C.W. | T1 T3, T8 | T2, T4 T5 | |
| | C.W. | T1 T3, T5 | T2, T4 T8 | |

| | | | | | | | | |
|---|--------------------------------------|-----------|---------|---------------------------------------|--------|--------|---|---|
| | | | | TOLERANCES UNLESS OTHERWISE SPECIFIED | | |  Regal Beloit America, Inc. | |
| | | | | DEC. | INCHES | METRIC | | |
| | | | | .X | ±.1 | ±2.5 | DRAWN PG 5/7/01 | TITLE EXTERNAL WIRING DIAGRAM TYPE "C" W/O PROTECTOR |
| | | | | .XX | ±.01 | ±.25 | APPR. | MAT'L. DUAL VOLTAGE - DUAL ROTATION |
| 01 | MOVED T5 TO "INSIDE" SWITCH TERMINAL | PG 8/2/01 | | .XXX | ±.005 | ±.127 | R.F.P. | |
| NO. | REVISION | BY & DATE | CH'K'D. | .XXXX | ±.0005 | ±.0127 | SCALE 5=8 | |
| THIS DRAWING IN DESIGN AND DETAIL IS OUR PROPERTY AND MUST NOT BE USED EXCEPT IN CONNECTION WITH OUR WORK ALL RIGHTS OF DESIGN AND INVENTION ARE RESERVED THIS IS AN ELECTRONICALLY GENERATED DOCUMENT - DO NOT SCALE THIS PRINT | | | | FRACTIONS | ±1/64 | | REF. 005005-01 | FINISH |
| | | | | ANGLES | ±1/2' | | FMF 100006 | REV. 01 |