

# PRODUCT INFORMATION PACKET



Model No: A4C17DJ67C

Catalog No: 101839.00

3/4HP..1725RPM.S56.DP.115/208-230V.1PH.60HZ.CONT.40C.1.25SF.RESILIENT  
BASE.A4C17DJ67C..AUTOMATIC.....

Open Drip Proof (ODP)



Regal and Leeson are trademarks of Regal Beloit Corporation or one of its affiliated companies.

©2018 Regal Beloit Corporation, All Rights Reserved. MC017097E





### Nameplate Specifications

Output HP	<b>0.75 Hp</b>	Output KW	<b>0.56 kW</b>
Frequency	<b>60 Hz</b>	Voltage	<b>115/208-230 V</b>
Current	<b>10.8/5.3-5.4 A</b>	Speed	<b>1725 rpm</b>
Service Factor	<b>1.25</b>	Phase	<b>1</b>
Efficiency	<b>70 %</b>	Duty	<b>Continuous</b>
Insulation Class	<b>B</b>	Design Code	<b>N</b>
KVA Code	<b>K</b>	Frame	<b>S56</b>
Enclosure	<b>Drip Proof</b>	Overload Protector	<b>Automatic</b>
Ambient Temperature	<b>40 °C</b>	Drive End Bearing Size	<b>6203</b>
Opp Drive End Bearing Size	<b>6203</b>	UL	<b>Recognized</b>
CSA	<b>Y</b>	CE	<b>N</b>
IP Code	<b>22</b>		

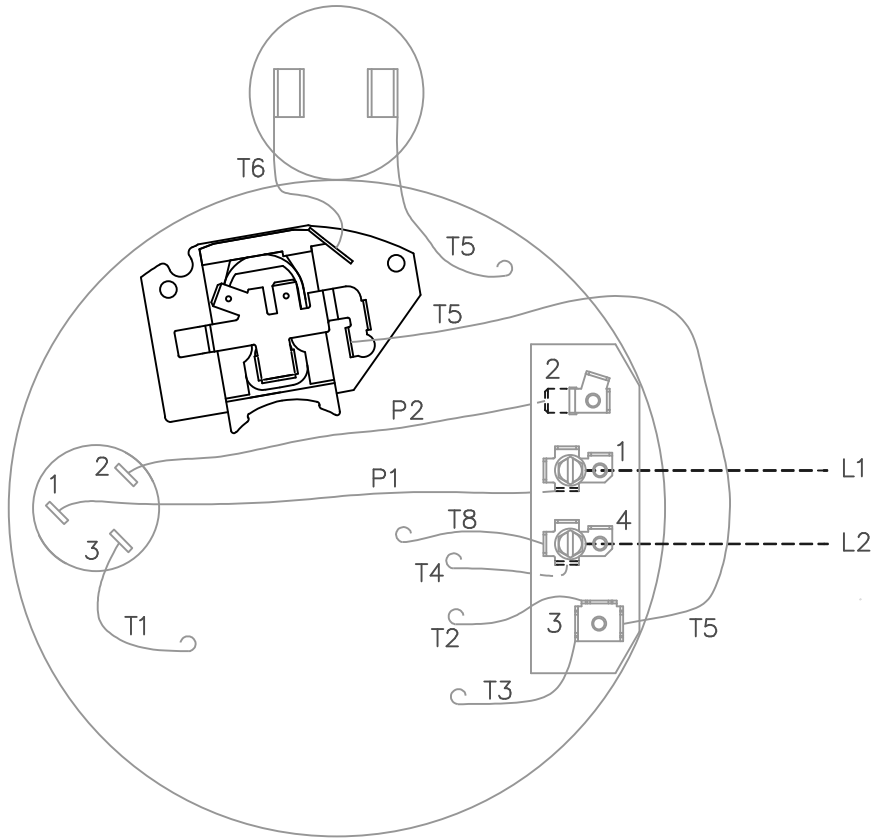
### Technical Specifications

Electrical Type	<b>Capacitor Start Induction Run</b>	Starting Method	<b>Across The Line</b>
Poles	<b>4</b>	Rotation	<b>Selective Counterclockwise</b>
Mounting	<b>Resilient Base</b>	Motor Orientation	<b>HORIZONTAL</b>
Drive End Bearing	<b>BALL</b>	Opp Drive End Bearing	<b>BALL</b>
Frame Material	<b>Rolled Steel</b>	Shaft Type	<b>T</b>
Overall Length	<b>11.81 in</b>	Frame Length	<b>7.00 in</b>
Shaft Diameter	<b>0.625 in</b>	Shaft Extension	<b>1.88 in</b>
Assembly/Box Mounting	<b>F1 ONLY</b>		
Outline Drawing	<b>031641-700</b>	Connection Diagram	<b>005049.16</b>

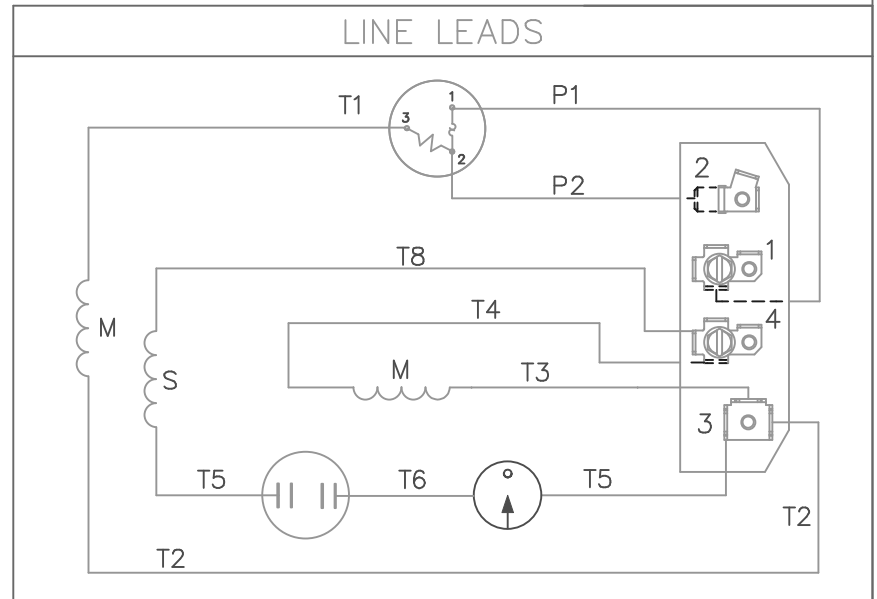
This is an uncontrolled document once printed or downloaded and is subject to change without notice. Date Created: 10/15/2018



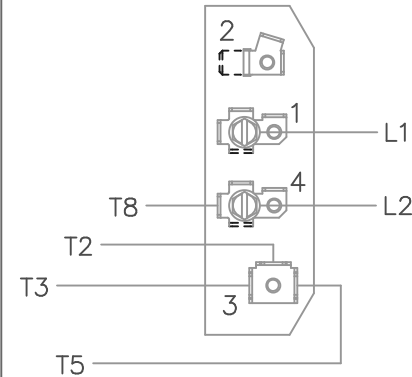
VIEW FROM OUTSIDE OF MOTOR AT SWITCH END.



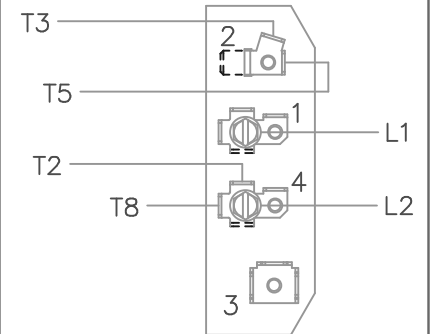
P1, P2, T4 TO GO TO  
BACK SIDE OF TERMINAL BOARD



HIGH VOLTAGE  
C.W.L.E. ROTATION



LOW VOLTAGE  
C.W.L.E. ROTATION



FOR C.C.W. ROTATION INTERCHANGE T5 AND T8.

				TOLERANCES UNLESS SPECIFIED		LEESON ELECTRIC MOTORS, GEARMOTORS AND DRIVES		DRAWN PG 1/31/03		
				DEC.	INCHES	TITLE		CHK		
				.X	±.1	EXTERNAL WIRING DIAGRAM		APPD		
				.XX	±.01	TYPE "C" W/PROTECTOR		SCALE 1=1		
				.XXX	±.005	MAT'L. DUAL VOLTAGE - DUAL ROTATION		REF 005049-12		
				.XXXX	±.0005	FINISH		FMF 100204.00		
NO.	REVISION	BY & DATE	CHK	ANG	±1/2"	CAD FILE 00504916		SIZE A	DRAWING NO. 005049-16	REV.
THIS DRAWING IN DESIGN AND DETAIL IS OUR PROPERTY AND MUST NOT BE USED EXCEPT IN CONNECTION WITH OUR WORK ALL RIGHTS OF DESIGN AND INVENTION ARE RESERVED THIS IS AN ELECTRONICALLY GENERATED DOCUMENT - DO NOT SCALE THIS PRINT				RFP		DIST				

