

PRODUCT INFORMATION PACKET



Model No: C4C17DH106C
Catalog No: 101781.00
..1/2HP..1725RPM..S56.DP.115/208-
230V.1PH.60HZ.CONT.40C.1.25SF.RIGID.C4C17DH106C.....WOODWORKING.NOT.....
Power Tools



Regal and Leeson are trademarks of Regal Beloit Corporation or one of its affiliated companies.

©2018 Regal Beloit Corporation, All Rights Reserved. MC017097E





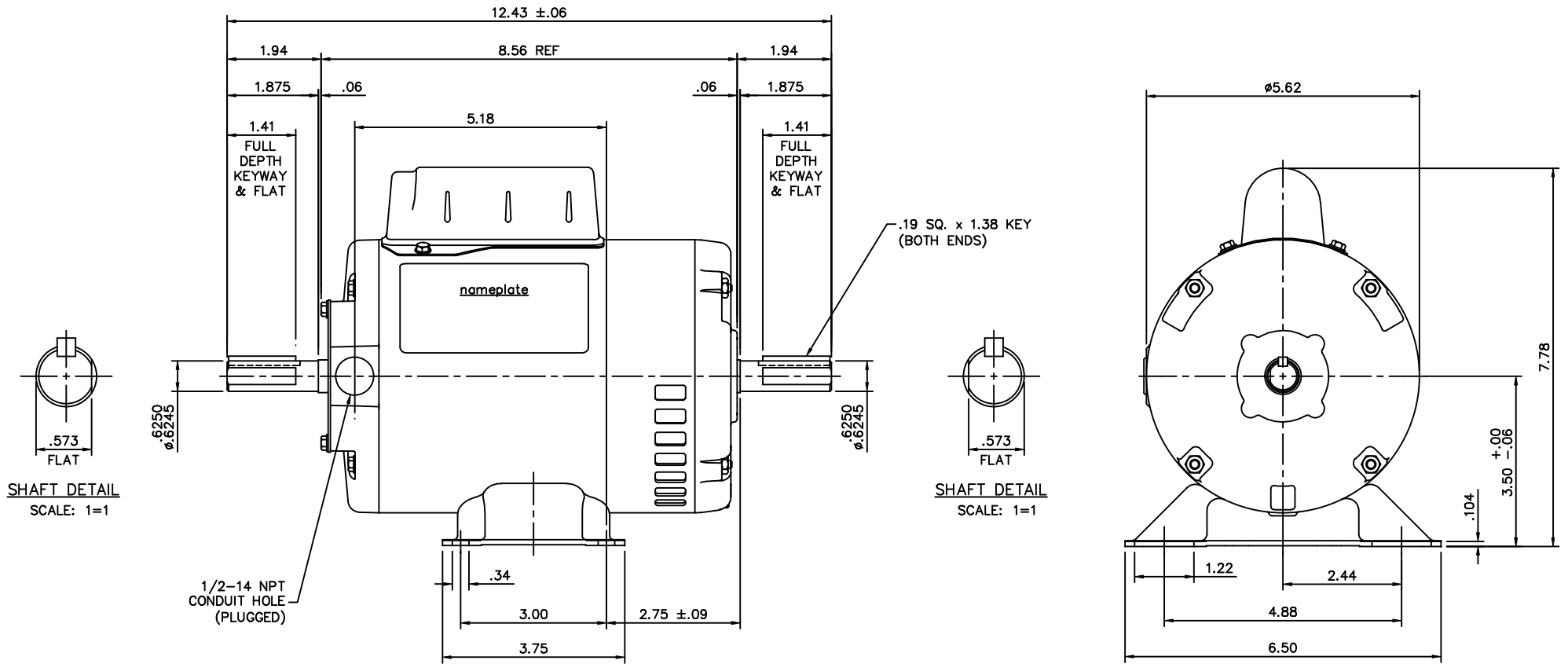
Nameplate Specifications

Output HP	0.50 Hp	Output KW	0.37 kW
Frequency	60 Hz	Voltage	115/208-230 V
Current	8.8/4.0-4.4 A	Speed	1725 rpm
Service Factor	1.25	Phase	1
Efficiency	62 %	Duty	Continuous
Insulation Class	B	Design Code	N
KVA Code	K	Frame	S56Z
Enclosure	Drip Proof	Overload Protector	No
Ambient Temperature	40 °C	Drive End Bearing Size	6203
Opp Drive End Bearing Size	6203	UL	No
CSA	N	CE	N
IP Code	22		

Technical Specifications

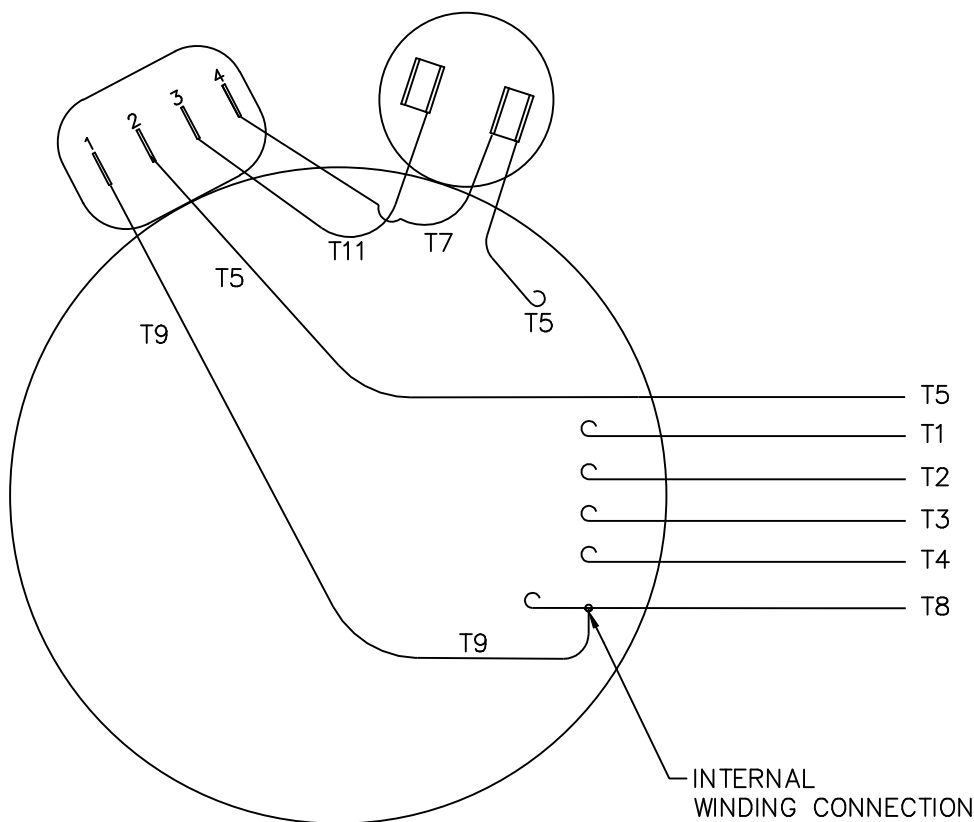
Electrical Type	Capacitor Start Induction Run	Starting Method	Across The Line
Poles	4	Rotation	Selective Counterclockwise
Mounting	Rigid base	Motor Orientation	HORIZONTAL
Drive End Bearing	BALL	Opp Drive End Bearing	BALL
Frame Material	Rolled Steel	Shaft Type	Single Special Extension
Overall Length	12.43 in	Frame Length	6.50 in
Shaft Diameter	0.625 in	Shaft Extension	1.87 in
Assembly/Box Mounting	F1 ONLY		
Outline Drawing	OL101781	Connection Diagram	005278.12

This is an uncontrolled document once printed or downloaded and is subject to change without notice. Date Created: 10/15/2018

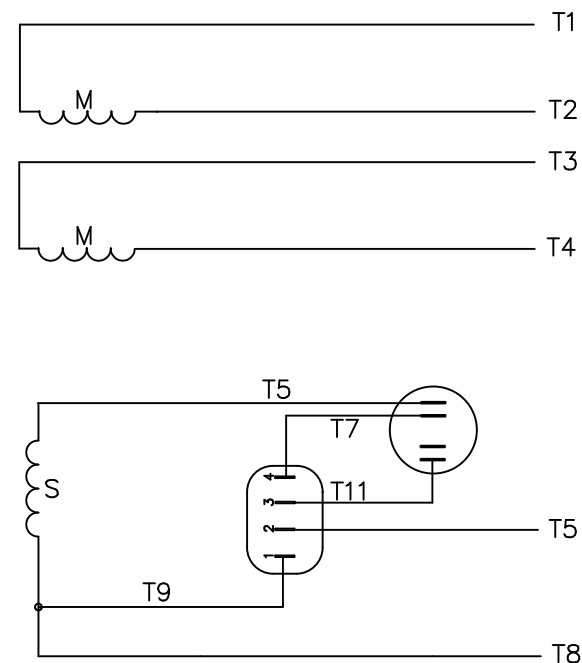


		TOLERANCES UNLESS SPECIFIED		LEESON	ELECTRIC MOTORS GEARMOTORS AND DRIVES	DRAWN	PG 6/28/01
NO.	REVISION	BY & DATE	CHK			ANG	FINISH
				DEC.	INCHES		
				.X	±.1		
				.XX	±.03	TITLE	SCALE 1=2
				.XXX	±.005	OUTLINE - S56 FRAME RIGID MOUNT - DRIP PROOF	REF 030970
01	CLARIFIED SHAFT DETAILS FOR FLAT TO KEYWAY ORIENTATION	IRON 10/3/02		.XXXX	±.0005	MAT'L 1 PHASE	FMF 101781
				RFP	±1/2"	FINISH	PREV
THIS DRAWING IN DESIGN AND DETAIL IS OUR PROPERTY AND MUST NOT BE USED EXCEPT IN CONNECTION WITH OUR WORK ALL RIGHTS OF DESIGN AND INVENTION ARE RESERVED THIS IS AN ELECTRONICALLY GENERATED DOCUMENT - DO NOT SCALE THIS PRINT						CAD FILE	OL101781
						SIZE	DRAWING NO.
						B	OL101781
							REV. 01

VIEW FROM OUTSIDE OF MOTOR AT SWITCH END.



LINE LEADS



	ROTATION FACING LEAD END	L1	L2	JOIN & INSULATE
HIGH VOLT	C.C.W.	T1	T4 T5	T2, T3 T8
	C.W.	T1	T4 T8	T2, T3 T5
LOW VOLT	C.C.W.	T1, T3 T8	T2, T4 T5	
	C.W.	T1, T3 T5	T2, T4 T8	

				TOLERANCES UNLESS OTHERWISE SPECIFIED		
				DEC.	INCHES	METRIC
				.X	±.1	±2.5
				.XX	±.03	±.76
01	REVISED TO CLARIFY T8 & T9 WINDING LEADS	PG 8/14/01		.XXX	±.005	±.127
NO.	REVISION	BY & DATE	CH'K'D.	.XXXX	±.0005	±.0127
THIS DRAWING IN DESIGN AND DETAIL IS OUR PROPERTY AND MUST NOT BE USED EXCEPT IN CONNECTION WITH OUR WORK ALL RIGHTS OF DESIGN AND INVENTION ARE RESERVED THIS IS AN ELECTRONICALLY GENERATED DOCUMENT - DO NOT SCALE THIS PRINT				FRACTIONS	±1/64	REF. 005278-01
				ANGLES	±1/2'	FMF 101781

LEESON ELECTRIC CORPORATION

DRAWN PG 6/28/01	TITLE	EXTERNAL WIRING DIAGRAM	
APPR.	TYPE "C" W/O PROTECTOR		
R.F.P.	MAT'L.	DECAL - 004012	
SCALE 1=1	FINISH	REV. 01	DRAWING NO. 005278-12



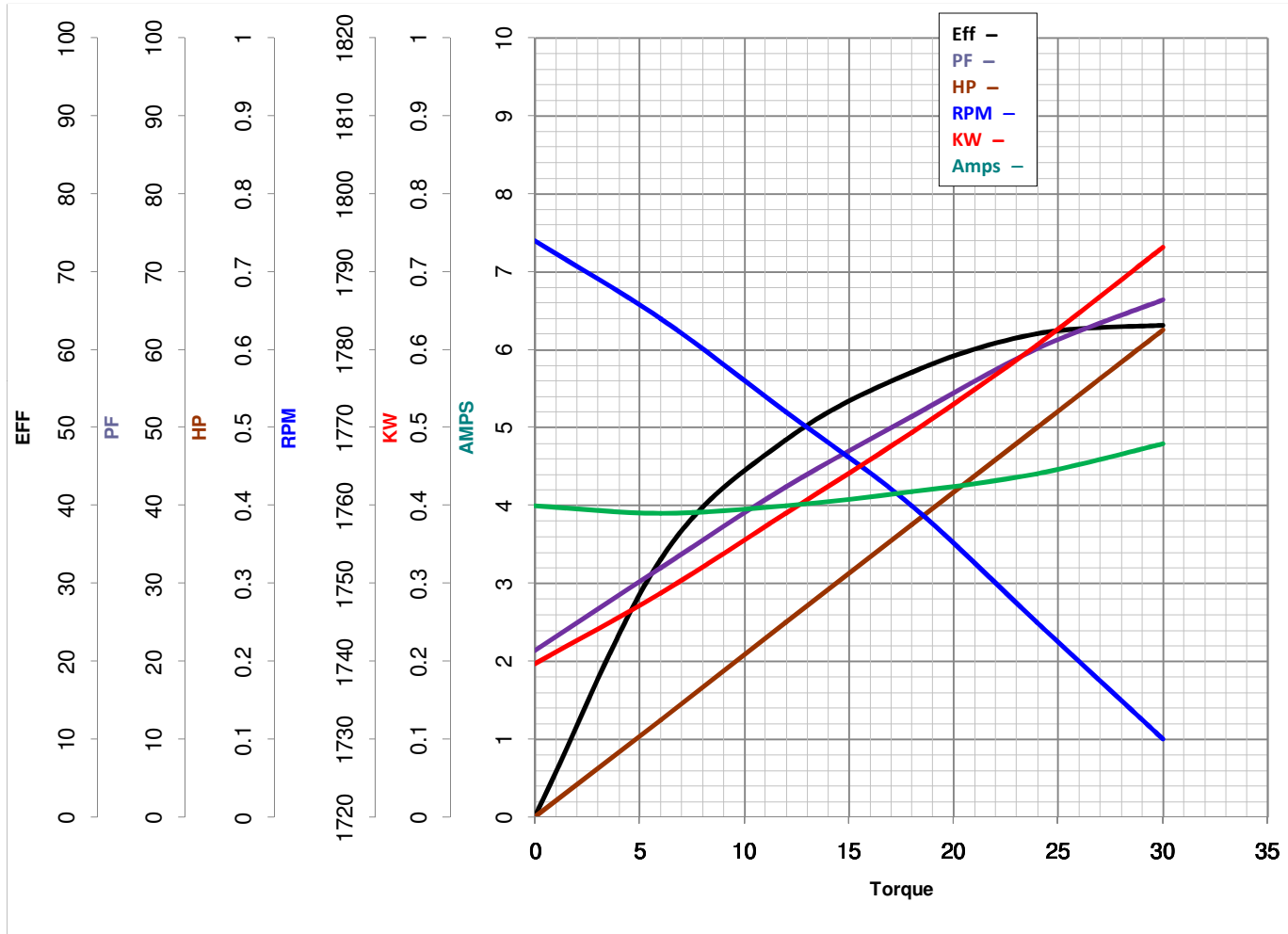
LEESON ELECTRIC CORPORATION
 TYPICAL PERFORMANCE CURVE for AC MOTOR

Model No 101781.00

Curve at 230 Volts HP 0.50 PHASE 1
60 HZ
0.5 HP VOLTS 115/208-230

Catalog No 101781.00

HZ 60 RPM 1725



Torque in Oz.Ft

FL TORQUE 24 Oz.Ft
 BD TORQUE 66.0 Oz.Ft
 LR TORQUE 80 Oz.Ft

FL AMPS 8.8/4-4.4
 PU TORQUE 62.0 Oz.Ft
 LR AMPS 19.5

WINDING CE484206-3

Date 3/22/2018