

PRODUCT INFORMATION PACKET



Model No: C4T34DK6B

Catalog No: 101775.00

..1HP..3450RPM.S56J.DP.230/460V.3PH.60HZ.CONT.40C.1.15SF.RIGID C.C4T34DK6B.....JET
PUMP.NOT.....

Jet Pump



Regal and Leeson are trademarks of Regal Beloit Corporation or one of its affiliated companies.

©2018 Regal Beloit Corporation, All Rights Reserved. MC017097E





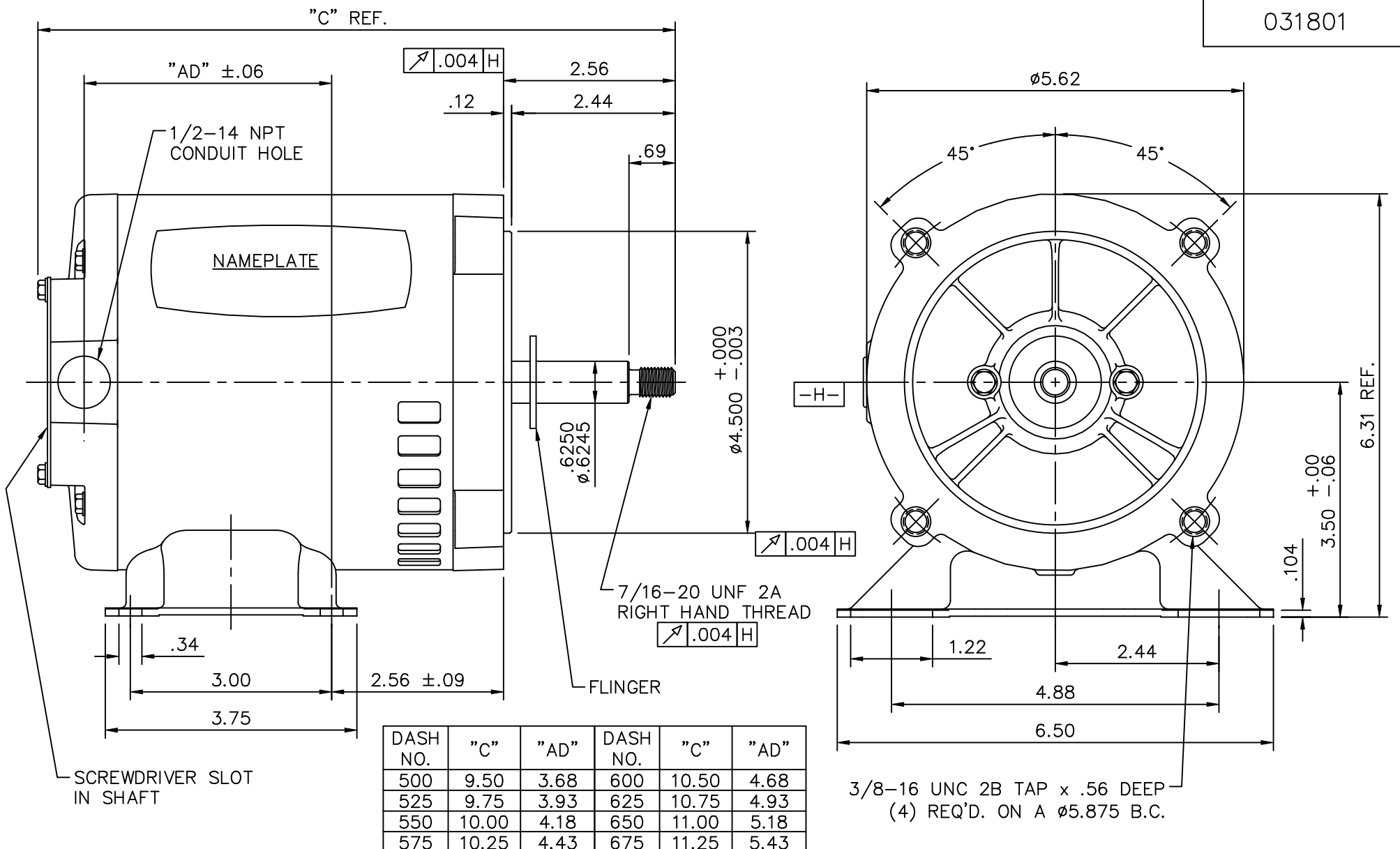
Nameplate Specifications

Output HP	1 Hp	Output KW	0.75 kW
Frequency	60 Hz	Voltage	230/460 V
Current	3.0/1.5 A	Speed	3450 rpm
Service Factor	1.15	Phase	3
Efficiency	78 %	Duty	Continuous
Insulation Class	B	Design Code	NO DESIGN CODE
KVA Code	L	Frame	S56J
Enclosure	Drip Proof	Overload Protector	No
Ambient Temperature	40 °C	Drive End Bearing Size	6203
Opp Drive End Bearing Size	6203	UL	Recognized
CSA	Y	CE	N
IP Code	22		

Technical Specifications

Electrical Type	Squirrel Cage Induction Run	Starting Method	Across The Line
Poles	2	Rotation	Reversible
Mounting	Rigid base	Motor Orientation	HORIZONTAL
Drive End Bearing	BALL	Opp Drive End Bearing	BALL
Frame Material	Rolled Steel	Shaft Type	J
Overall Length	11.25 in	Frame Length	6.75 in
Shaft Diameter	0.625 in	Shaft Extension	2.44 in
Assembly/Box Mounting	F1 ONLY		
Outline Drawing	031801-675	Connection Diagram	005010.01

This is an uncontrolled document once printed or downloaded and is subject to change without notice. Date Created: 10/15/2018



DASH NO.	"C"	"AD"	DASH NO.	"C"	"AD"
500	9.50	3.68	600	10.50	4.68
525	9.75	3.93	625	10.75	4.93
550	10.00	4.18	650	11.00	5.18
575	10.25	4.43	675	11.25	5.43

				TOLERANCES UNLESS SPECIFIED		ELECTRIC MOTORS GEARMOTORS AND DRIVES		DRAWN PG 02/16/05		
				DEC. INCHES				CHK		
				.X ±.1				APPD PG 02/16/05		
				.XX ±.03				SCALE 1=2		
				.XXX ±.005				REF 031629		
				.XXXX ±.0005		MAT'L. 3 PHASE		FMF 101775.00		
				ANG ±1/2°		FINISH		PREV		
NO. REVISION			BY & DATE		CHK		TITLE		DRAWING NO.	
THIS DRAWING IN DESIGN AND DETAIL IS OUR PROPERTY AND MUST NOT BE USED EXCEPT IN CONNECTION WITH OUR WORK ALL RIGHTS OF DESIGN AND INVENTION ARE RESERVED THIS IS AN ELECTRONICALLY GENERATED DOCUMENT - DO NOT SCALE THIS PRINT						RFP CAD FILE 031801		SIZE A		031801
						DIST				REV.

005010-01

VIEW FROM OUTSIDE OF MOTOR AT SWITCH END.



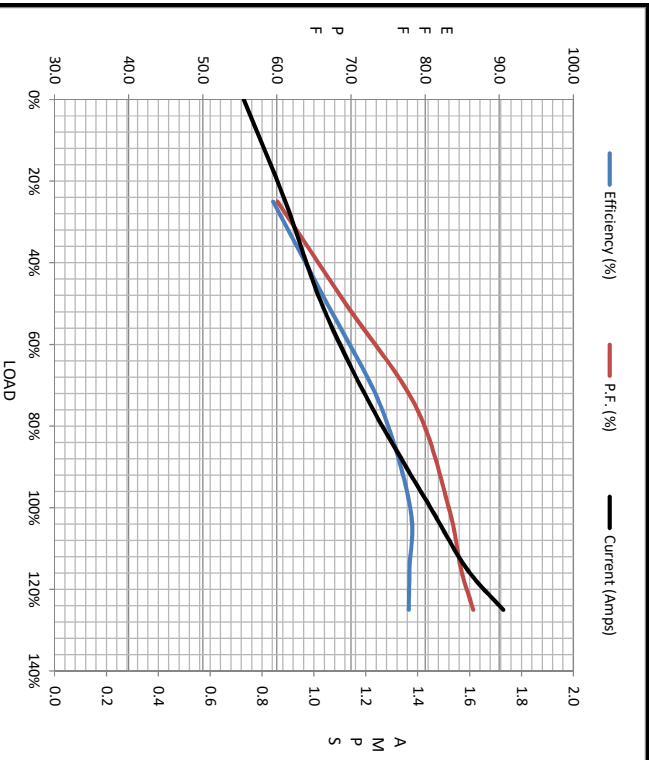
VOLTAGE	L1	L2	L3	JOIN & INSULATE
HIGH	T1	T2	T3	(T4,T7) (T5,T8) (T6,T9)
LOW	T1,T7	T2,T8	T3,T9	T4,T5,T6

				TOLERANCES UNLESS SPECIFIED		Regal Beloit America, Inc.		DRAWN RDW 04/12/02			
				DEC.	INCHES			CHK			
				.X	±.1			APPD			
				.XX	±.01			SCALE 1=1			
				.XXX	±.005	TITLE		REF FIG.2-51			
A	UPDATED TO REGAL LOGO	SAJ 06/26/15	AJY	.XXXX	±.0005	MAT'L.		FMF			
NO.	REVISION	BY & DATE	CHK	ANG	±1/2"	FINISH		PREV			
THIS DRAWING IN DESIGN AND DETAIL IS OUR PROPERTY AND MUST NOT BE USED EXCEPT IN CONNECTION WITH OUR WORK ALL RIGHTS OF DESIGN AND INVENTION ARE RESERVED THIS IS AN ELECTRONICALLY GENERATED DOCUMENT - DO NOT SCALE THIS PRINT				RFP	04/12/02	CAD FILE		00501001	SIZE	DRAWING NO.	REV.
				DIST		BRF-NLV		A	005010-01	A	



Motor Load Data									
Load	0%	25%	50%	75%	100%	115%	125%	LR	
Current (Amps)	0.73	0.89	1.03	1.22	1.45	1.59	1.73	13.0	
Torque (ft-lb)	0.00	128	192	288	385	6,930	481	1,442	
RPM	3600	3565	3549	3529	3506	3,496	3,482	0	
Efficiency (%)		59.5	66.8	74.0	78.0	77.9	77.8		
P.F. (%)	15.5	60.1	69.3	78.7	83.2	84.9	86.5	0.0	

Motor Speed Data						Information Block																											
	LR	Pull-Up	BD	Rated	Idle	HP	Sync. RPM	Frame	Enclosure	Construction	Voltage	Frequency	Design	LR Code letter	Service Factor	Temp Rise @ FL	Duty	Ambient	Elevation	Rotor/Shaft wk ²	Ref Wdg	Sound Pressure @ 1M	VFD Rating	Outline Dwg	Conn. Diag	Additional Specifications:	EQUIV CKT (OHMS / PHASE)	R1	R2	X1	X2	Xm	
Speed (RPM)	0	290	2360	3506	3600		3600	48	DP	NA	230/460	60	A	L	1.15	25	CONT	40	1,000	0.03	T55222 DR	999	NONE	031801-675	005010.01		0.0000	0.0000	0.0000	0.0000	0.0000		
Current (Amps)	13.10	12.0	7.8	1.45	0.73																												
Torque (ft-lb)	1,442	1,426	1,874	385	0.00																												



Efficiency (%)	P.F. (%)	Current (Amps)
80.0	15.5	13.10
75.0	60.1	12.0
70.0	69.3	7.8
65.0	78.7	1.45
60.0	83.2	0.73

