

PRODUCT INFORMATION PACKET



Model No: C4C17FC9C
Catalog No: 101766.00
..1/3HP..1725RPM.S56.TEFC.115/208-
230V.1PH.60HZ.CONT.40C.1.15SF.ROUND.C4C17FC9C.....GENERAL PURPOSE.NOT.....
Totally Enclosed Fan Cooled (TEFC)



Regal and Leeson are trademarks of Regal Beloit Corporation or one of its affiliated companies.

©2018 Regal Beloit Corporation, All Rights Reserved. MC017097E



Product Information Packet: Model No: C4C17FC9C, Catalog No:101766.00
 ..1/3HP..1725RPM.S56.TEFC.115/208-230V.1PH.60HZ.CONT.40C.1.15SF.ROUND.C4C17FC9C.....GENERAL
 PURPOSE.NOT.....



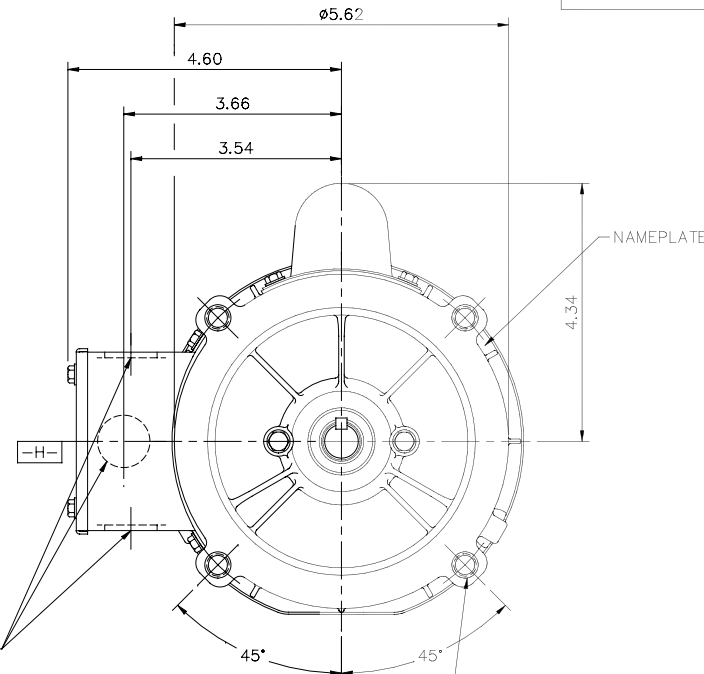
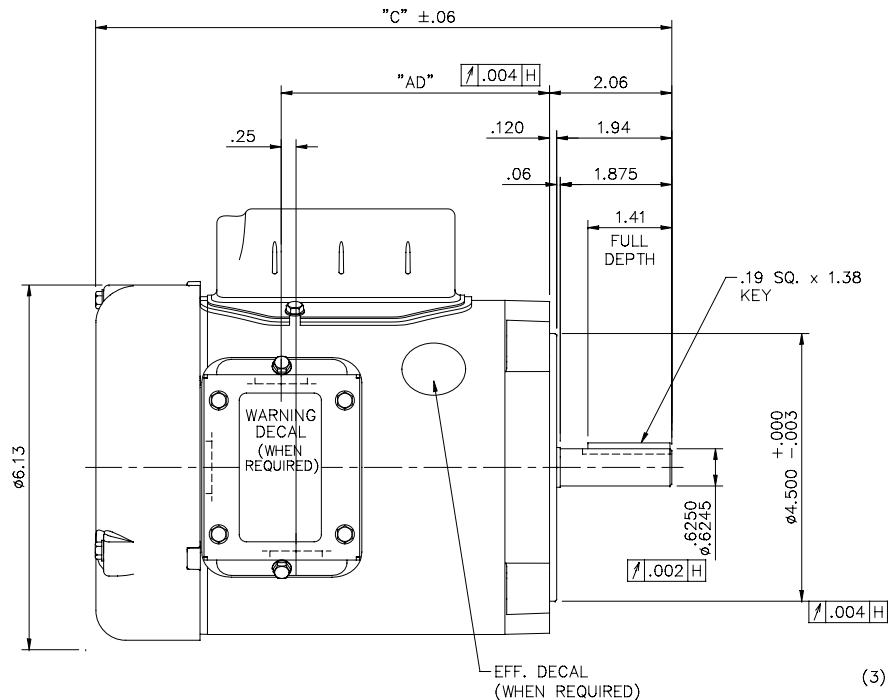
Nameplate Specifications

Output HP	0.33 Hp	Output KW	0.25 kW
Frequency	60 Hz	Voltage	115/208-230 V
Current	6.6/2.9-3.3 A	Speed	1725 rpm
Service Factor	1.15	Phase	1
Efficiency	61 %	Duty	Continuous
Insulation Class	B	Design Code	N
KVA Code	L	Frame	S56C
Enclosure	Totally Enclosed Fan Cooled	Overload Protector	No
Ambient Temperature	40 °C	Drive End Bearing Size	6203
Opp Drive End Bearing Size	6203	UL	Recognized
CSA	Y	CE	N
IP Code	43		

Technical Specifications

Electrical Type	Capacitor Start Induction Run	Starting Method	Across The Line
Poles	4	Rotation	Selective Counterclockwise
Mounting	Round	Motor Orientation	HORIZONTAL
Drive End Bearing	BALL	Opp Drive End Bearing	BALL
Frame Material	Rolled Steel	Shaft Type	NEMA 56
Overall Length	9.94 in	Frame Length	5.25 in
Shaft Diameter	0.625 in	Shaft Extension	1.88 in
Assembly/Box Mounting	F1 ONLY		
Outline Drawing	031649-525	Connection Diagram	005005.44


This is an uncontrolled document once printed or downloaded and is subject to change without notice. Date Created: 10/15/2018



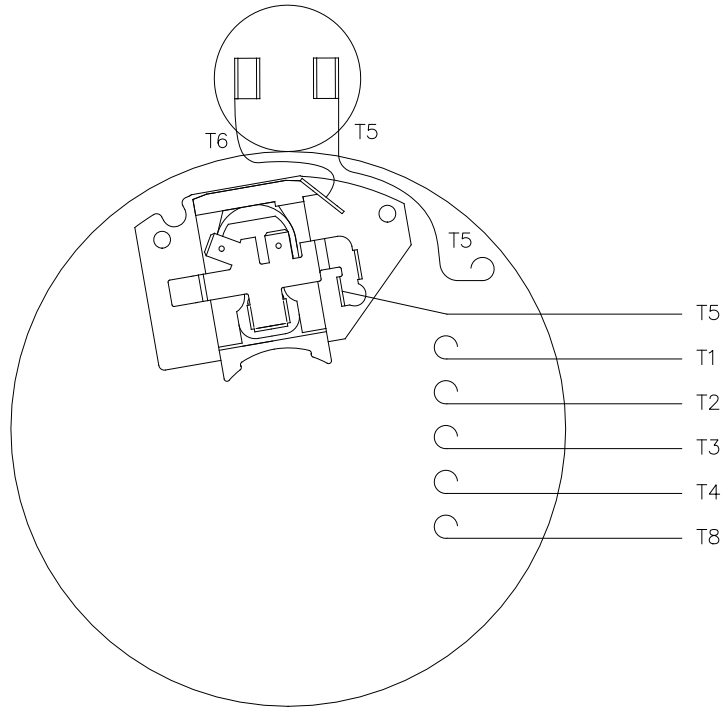
DASH NO.	"C"	"AD"
475	9.44	4.25
500	9.69	4.50
525	9.94	4.75
550	10.19	5.00
575	10.44	5.25
600	10.69	5.50
625	10.94	5.75
650	11.19	6.00
675	11.44	6.25
700	11.69	6.50
725	11.94	6.75
750	12.19	7.00

GASKETS THROUGHOUT

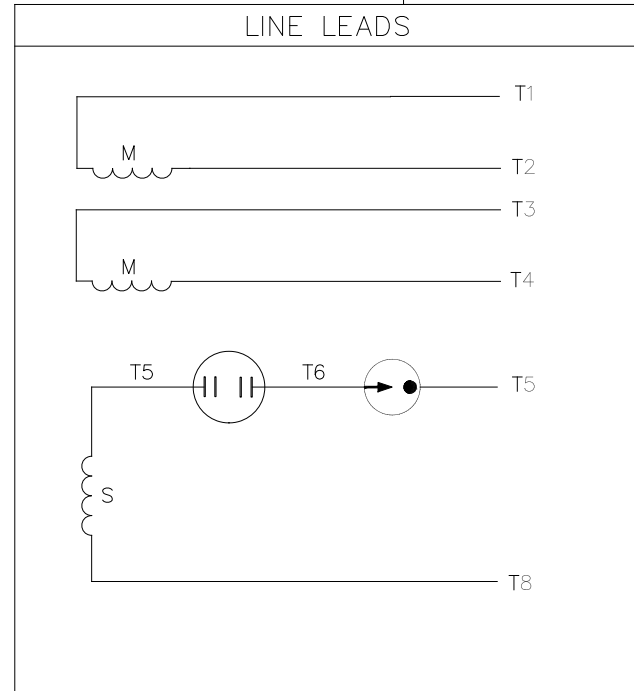
ORACLE	004
REV	

NO.	REVISION	BY & DATE	CHK	ANG	TOLERANCES UNLESS SPECIFIED		TITLE	DRAWN						
					DEC.	INCHES								
K	ADDED (WHEN REQ'D) TO WARNING DECAL ECO 0086600	GWS 10/7/15		.X	±.1		 ELECTRIC MOTORS GEARMOTORS AND DRIVES OUTLINE - S56C FRAME "C" FACE MOUNT - TEFC 1 PHASE	PG 9/24/01						
J	ADDED WARNING DECAL	SL 09/30/15	VS	.XX	±.03			CHK						
H	ADDED DASH NO. 475 (102866.00)	PG 10/28/03		.XXX	±.005			APPD						
G	REVISED CALLOUT FOR GD&T	KMM 6/6/02		.XXXX	±.0005			SCALE 1=2						
								REF 030521						
								FMF 101766						
								PREV						
THIS DRAWING IN DESIGN AND DETAIL IS OUR PROPERTY AND MUST NOT BE USED EXCEPT IN CONNECTION WITH OUR WORK ALL RIGHTS OF DESIGN AND INVENTION ARE RESERVED THIS IS AN ELECTRONICALLY GENERATED DOCUMENT - DO NOT SCALE THIS PRINT							CAD FILE	031649	SIZE	B	DRAWING NO.	031649	REV.	K

005005-44



VIEW FROM OUTSIDE OF MOTOR AT SWITCH END



	ROTATION FACING LEAD END	L1	L2	JOIN
HIGH VOLT	C.C.W.	T1	T4, T5	T2, T3 T8
	C.W.	T1	T4, T8	T2, T3 T5
LOW VOLT	C.C.W.	T1 T3, T8	T2, T4 T5	
	C.W.	T1 T3, T5	T2, T4 T8	

				TOLERANCES UNLESS OTHERWISE SPECIFIED			DRAWN PG 5/7/01		TITLE EXTERNAL WIRING DIAGRAM TYPE "C" W/O PROTECTOR			
				DEC.	INCHES	METRIC	APPR.		MAT'L. DUAL VOLTAGE - DUAL ROTATION			
01	MOVED T5 TO "INSIDE" SWITCH TERMINAL	PG 8/2/01		.X	±.1	±2.5	R.F.P.					
NO.	REVISION	BY & DATE	CH'K'D.	.XX	±.01	±.25	SCALE 5=8					
THIS DRAWING IN DESIGN AND DETAIL IS OUR PROPERTY AND MUST NOT BE USED EXCEPT IN CONNECTION WITH OUR WORK ALL RIGHTS OF DESIGN AND INVENTION ARE RESERVED THIS IS AN ELECTRONICALLY GENERATED DOCUMENT - DO NOT SCALE THIS PRINT				FRACTIONS	±1/64		REF.	005005-01		FINISH	REV. 01	DRAWING NO. 005005-44
				ANGLES	±1/2'		FMF	100006				





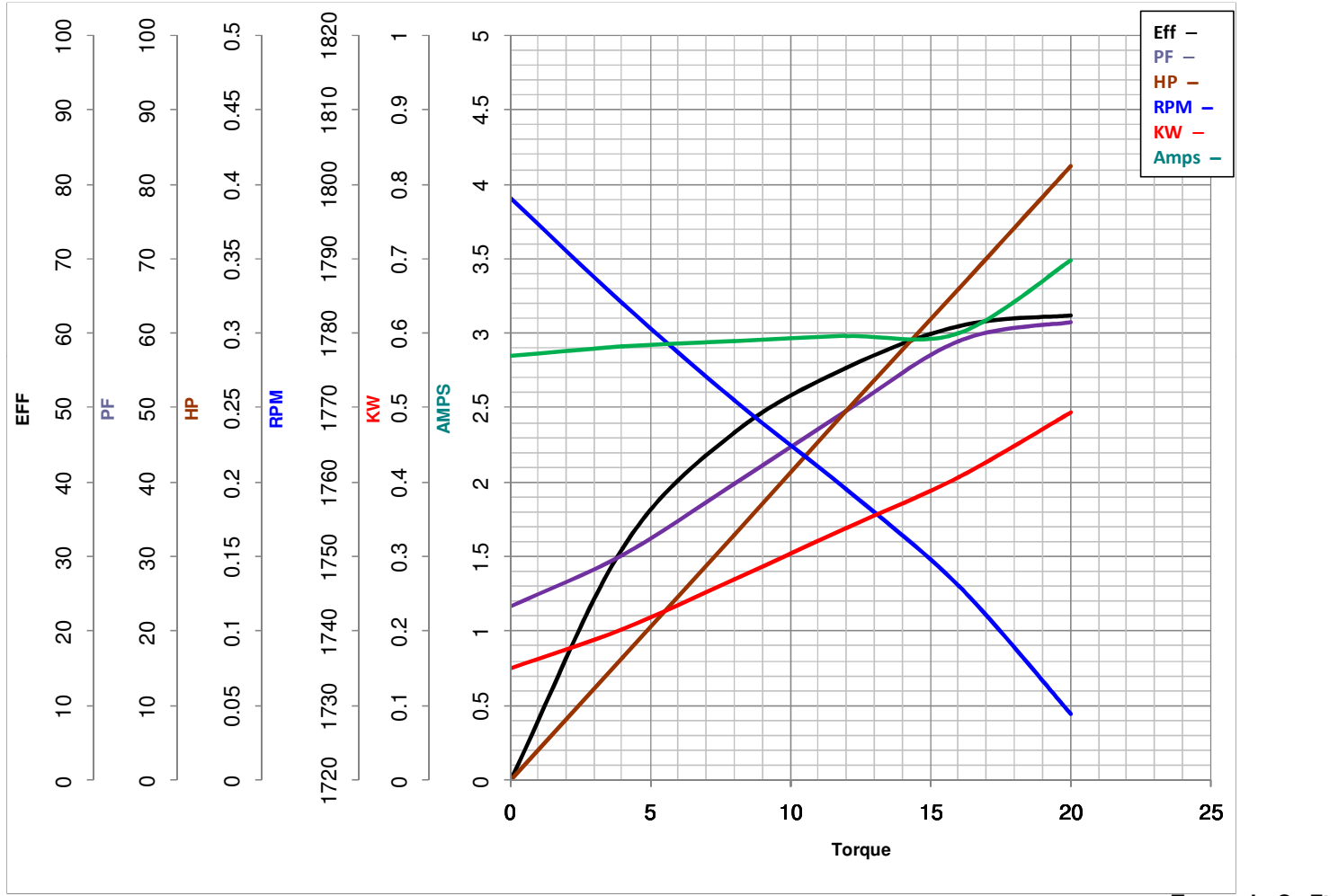
LEESON ELECTRIC CORPORATION
 TYPICAL PERFORMANCE CURVE for AC MOTOR

Model No 101766.00

Catalog No 101766.00

Curve at 230 Volts HP 0.34 PHASE 1
60 HZ
0.33 HP VOLTS 115/208-230

HZ 60 RPM 1725



FL TORQUE	<u>16</u>	Oz.Ft	FL AMPS	<u>6.6/2.9-3.3</u>
BD TORQUE	<u>44.0</u>	Oz.Ft	PU TORQUE	<u>38.0</u> Oz.Ft
LR TORQUE	<u>52</u>	Oz.Ft	LR AMPS	<u>14</u>
WINDING	CE484205-3		Date	3/22/2018