

PRODUCT INFORMATION PACKET



Model No: C4T17NH8D

Catalog No: 101649.00

..1/4HP..1725/1425RPM.S56.TENV.208-
230/460V.3PH.60/50HZ.CONT.40C.1.15/1.15SF.RIGID.C4T17NH8D.....GENERAL PURPOSE.NOT.....
Totally Enclosed Non-Ventilated (TENV)



Regal and Leeson are trademarks of Regal Beloit Corporation or one of its affiliated companies.

©2018 Regal Beloit Corporation, All Rights Reserved. MC017097E





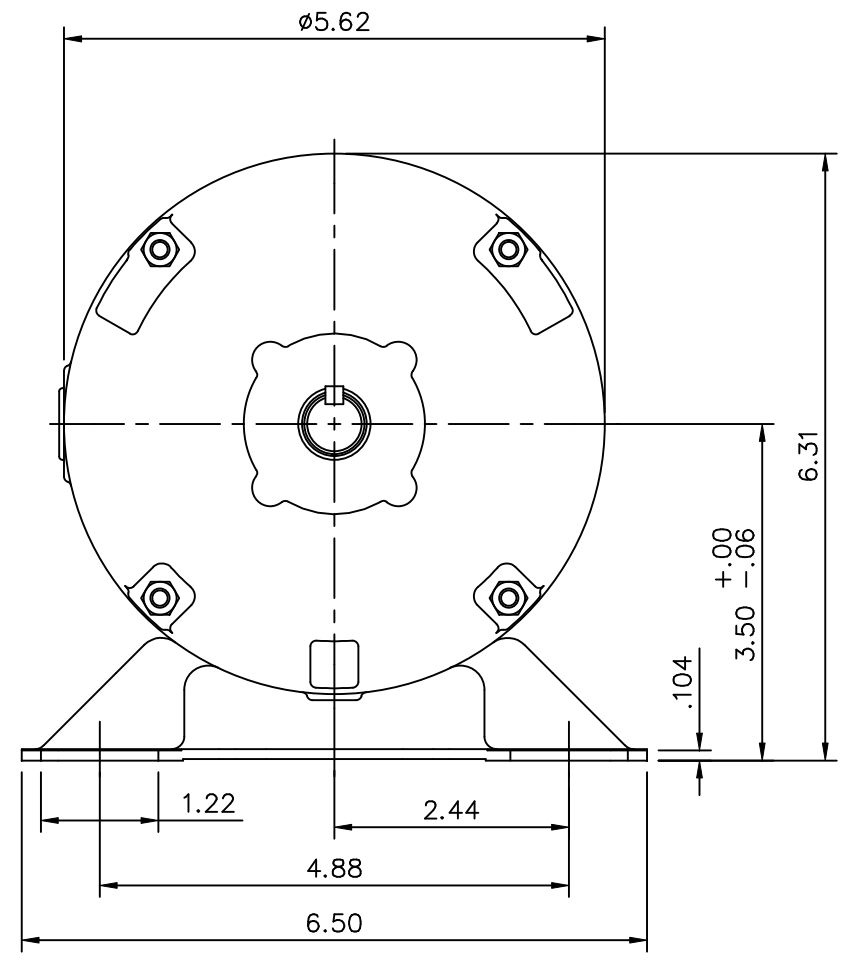
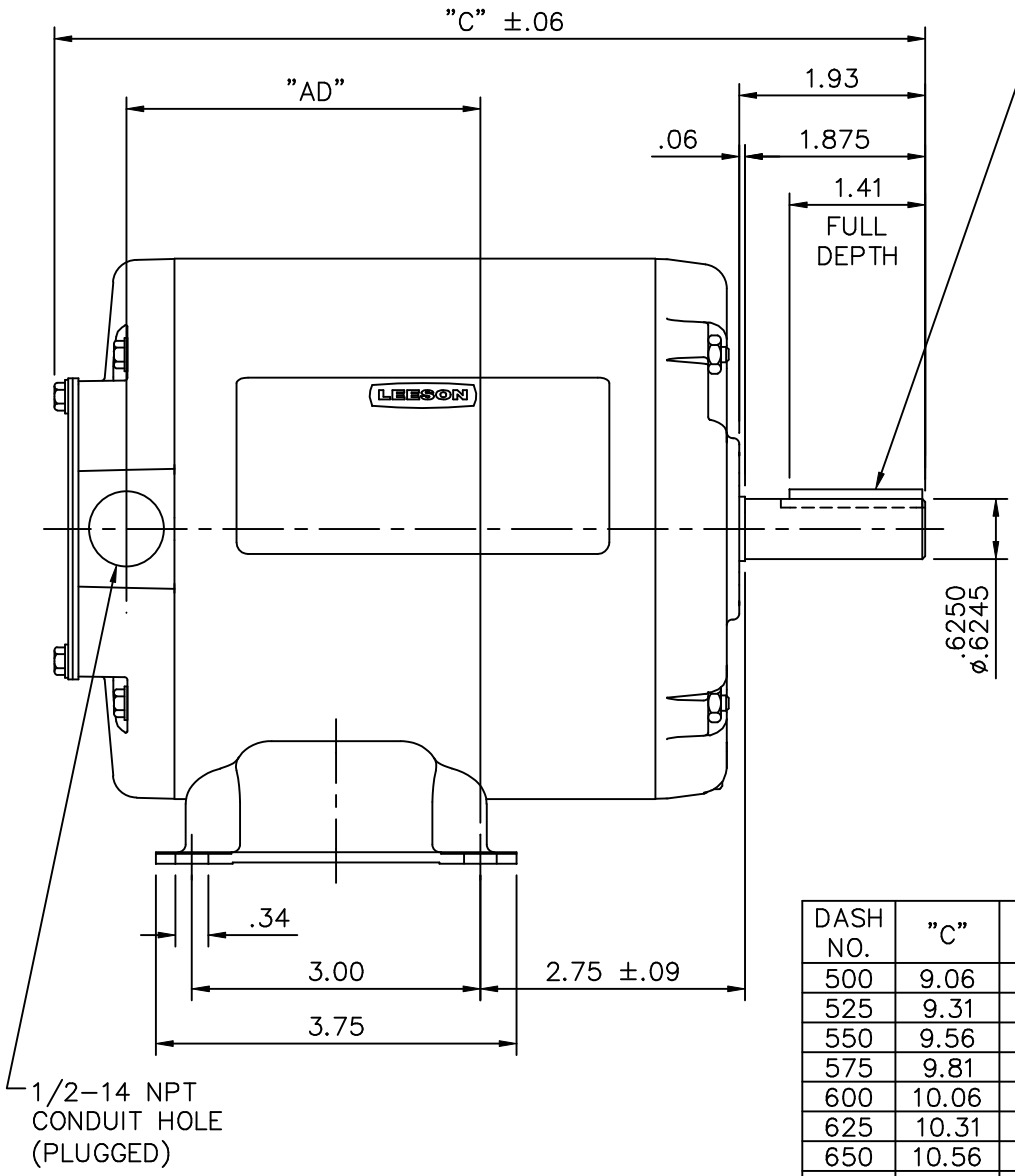
Nameplate Specifications

| | | | |
|----------------------------|--|------------------------|----------------------|
| Output HP | 0.25 Hp | Output KW | 0.19 kW |
| Frequency | 60 Hz | Voltage | 208-230/460 V |
| Current | 0.90/0.45 A | Speed | 1725 rpm |
| Service Factor | 1.15 | Phase | 3 |
| Efficiency | 78 % | Duty | Continuous |
| Insulation Class | B | Design Code | B |
| KVA Code | M | Frame | S56 |
| Enclosure | Totally Enclosed Non Ventilated | Overload Protector | No |
| Ambient Temperature | 40 °C | Drive End Bearing Size | 6203 |
| Opp Drive End Bearing Size | 6203 | UL | Recognized |
| CSA | Y | CE | N |
| IP Code | 43 | | |

Technical Specifications

| | | | |
|-----------------------|------------------------------------|-----------------------|------------------------|
| Electrical Type | Squirrel Cage Induction Run | Starting Method | Across The Line |
| Poles | 4 | Rotation | Reversible |
| Mounting | Rigid base | Motor Orientation | HORIZONTAL |
| Drive End Bearing | BALL | Opp Drive End Bearing | BALL |
| Frame Material | Rolled Steel | Shaft Type | NEMA 56 |
| Overall Length | 9.56 in | Frame Length | 5.50 in |
| Shaft Diameter | 0.625 in | Shaft Extension | 1.88 in |
| Assembly/Box Mounting | F1 ONLY | | |
| Outline Drawing | 031653-550 | Connection Diagram | 005010.01 |

This is an uncontrolled document once printed or downloaded and is subject to change without notice. Date Created: 10/15/2018



| DASH NO. | "C" | "AD" |
|----------|-------|------|
| 500 | 9.06 | 3.68 |
| 525 | 9.31 | 3.93 |
| 550 | 9.56 | 4.18 |
| 575 | 9.81 | 4.43 |
| 600 | 10.06 | 4.68 |
| 625 | 10.31 | 4.93 |
| 650 | 10.56 | 5.18 |
| 675 | 10.81 | 5.43 |

1/2-14 NPT
CONDUIT HOLE
(PLUGGED)

GASKETS THROUGHOUT

| | | | | | | | | | | |
|--|----------|-----------|---------|---------------------------------------|--------|--------|------------------------------------|------------|--------|---------------------|
| | | | | TOLERANCES UNLESS OTHERWISE SPECIFIED | | | LEESON ELECTRIC CORPORATION | | | |
| | | | | DEC. | INCHES | METRIC | | | | |
| | | | | .X | ±.1 | ±2.5 | DRAWN | PG 9/28/01 | TITLE | OUTLINE - S56 FRAME |
| | | | | .XX | ±.03 | ±.76 | APPR. | | | RIGID MOUNT - TENV |
| | | | | .XXX | ±.005 | ±.127 | R.F.P. | | MAT'L. | 3 PHASE |
| NO. | REVISION | BY & DATE | CH'K'D. | .XXXX | ±.0005 | ±.0127 | SCALE | 1=2 | | |
| THIS DRAWING IN DESIGN AND DETAIL IS OUR PROPERTY AND MUST NOT BE USED EXCEPT IN CONNECTION WITH OUR WORK ALL RIGHTS OF DESIGN AND INVENTION ARE RESERVED THIS IS AN ELECTRONICALLY GENERATED DOCUMENT - DO NOT SCALE THIS PRINT | | | | FRACTIONS | ±1/64 | | REF. | 031075 | FINISH | REV. |
| | | | | ANGLES | ±1/2' | | FMF | 101649 | | DRAWING NO. |
| | | | | | | | | | | 031653 |

005010-01

VIEW FROM OUTSIDE OF MOTOR AT SWITCH END.



| VOLTAGE | L1 | L2 | L3 | JOIN & INSULATE |
|---------|-------|-------|-------|-------------------------------|
| HIGH | T1 | T2 | T3 | (T4,T7) (T5,T8) (T6,T9) |
| LOW | T1,T7 | T2,T8 | T3,T9 | T4,T5,T6 |

| | | | | | | | | | | | |
|--|-----------------------|--|--------------|--------------------------------|--------------|--|--|--|-----------|-------------|------|
| | | | | TOLERANCES UNLESS SPECIFIED | | REGAL ™ Regal Beloit America, Inc. | | DRAWN RDW 04/12/02 | | | |
| | | | | DEC. | INCHES | | | CHK | | | |
| | | | | .X | ±.1 | | | APPD | | | |
| | | | | .XX | ±.01 | | | SCALE 1=1 | | | |
| | | | | .XXX | ±.005 | TITLE | | EXTERNAL WIRING DIAGRAM 3 PHASE W/O PROTECTOR | | | |
| A | UPDATED TO REGAL LOGO | | SAJ 06/26/15 | AJY | .XXXX ±.0005 | MAT'L. | | DECAL - 004014 | | | |
| NO. | REVISION | | BY & DATE | CHK | ANG ±1/2" | FINISH | | PREV | | | |
| THIS DRAWING IN DESIGN AND DETAIL IS OUR PROPERTY AND MUST NOT BE USED EXCEPT IN CONNECTION WITH OUR WORK ALL RIGHTS OF DESIGN AND INVENTION ARE RESERVED THIS IS AN ELECTRONICALLY GENERATED DOCUMENT - DO NOT SCALE THIS PRINT | | | | RFP | 04/12/02 | CAD FILE | | 00501001 | SIZE | DRAWING NO. | REV. |
| | | | | DIST | | BRF-NLV | | A | 005010-01 | A | |



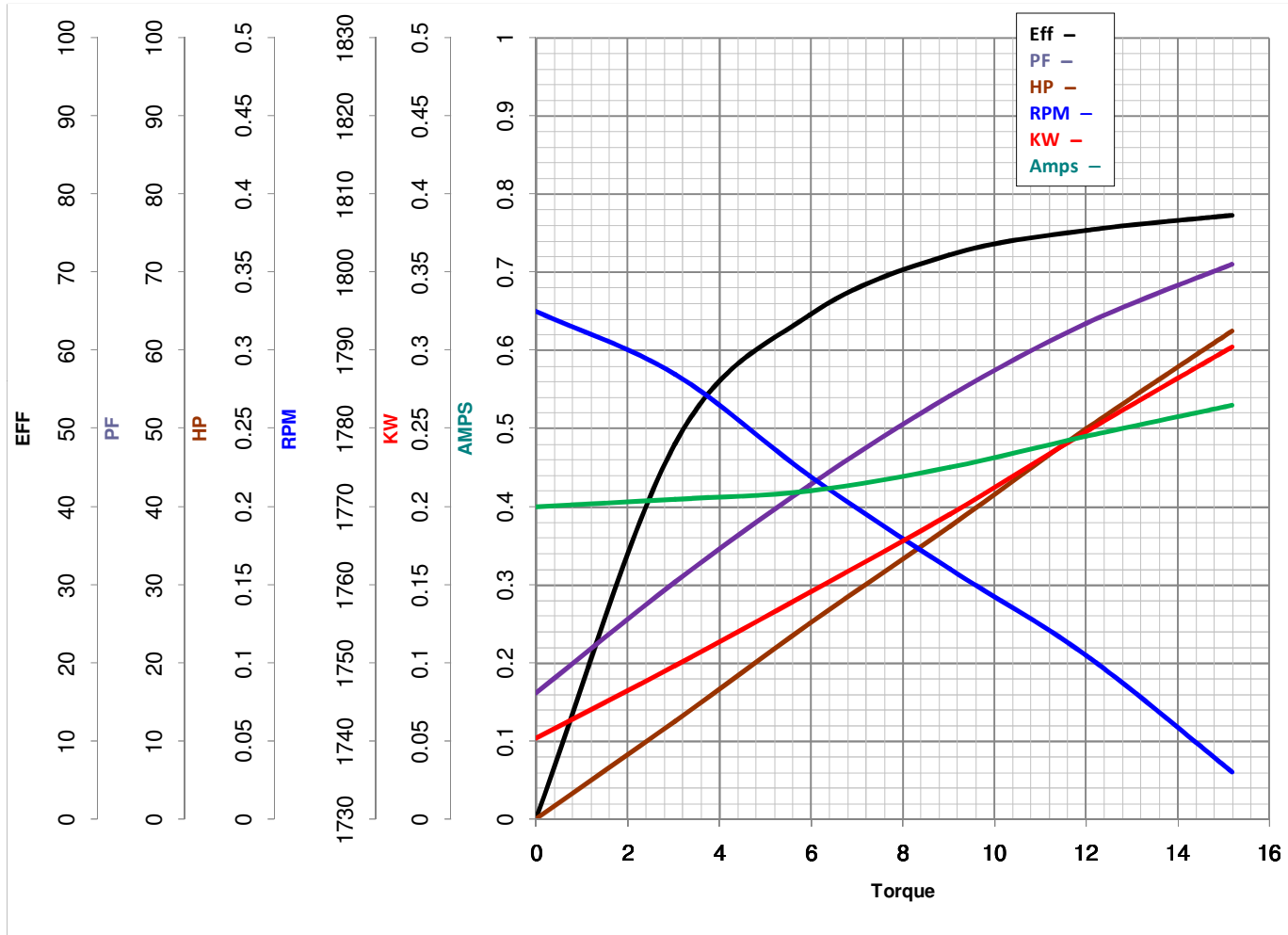
LEESON ELECTRIC CORPORATION
TYPICAL PERFORMANCE CURVE for AC MOTOR

Model No 101649.00

Catalog No 101649.00

Curve at 460 Volts HP 0.25&0.25 PHASE 3
60 HZ
0.25 HP VOLTS 208-230/460&208-230/460

HZ 60&50 RPM 1725&1425



Torque in Oz.Ft

FL TORQUE 12.01 Oz.Ft
BD TORQUE 61.2 Oz.Ft
LR TORQUE 52.25 Oz.Ft

FL AMPS 9.45
PU TORQUE 52.1 Oz.Ft
LR AMPS 3.33

WINDING TE48451-3

Date 5/21/2018