

PRODUCT INFORMATION PACKET



Model No: C4T17NC28E

Catalog No: 101648.00

..1/4HP..1725/1425RPM.S56.TENV.208-

230/460V.3PH.60/50HZ.CONT.40C.1.15/1.15SF.ROUND.C4T17NC28E.....GENERAL PURPOSE.NOT.....

Totally Enclosed Non-Ventilated (TENV)



Regal and Leeson are trademarks of Regal Beloit Corporation or one of its affiliated companies.

©2018 Regal Beloit Corporation, All Rights Reserved. MC017097E



Product Information Packet: Model No: C4T17NC28E, Catalog No:101648.00
 ..1/4HP..1725/1425RPM.S56.TENV.208-
 230/460V.3PH.60/50HZ.CONT.40C.1.15/1.15SF.ROUND.C4T17NC28E.....GENERAL PURPOSE.NOT.....



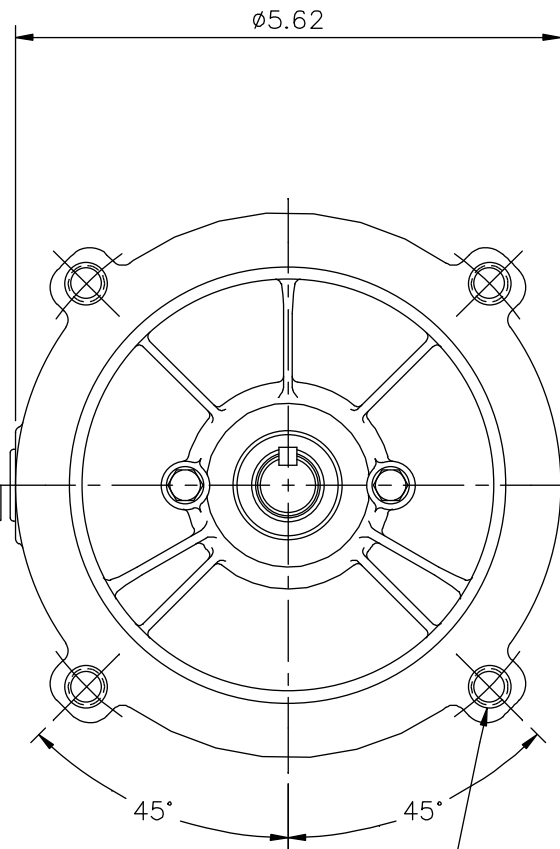
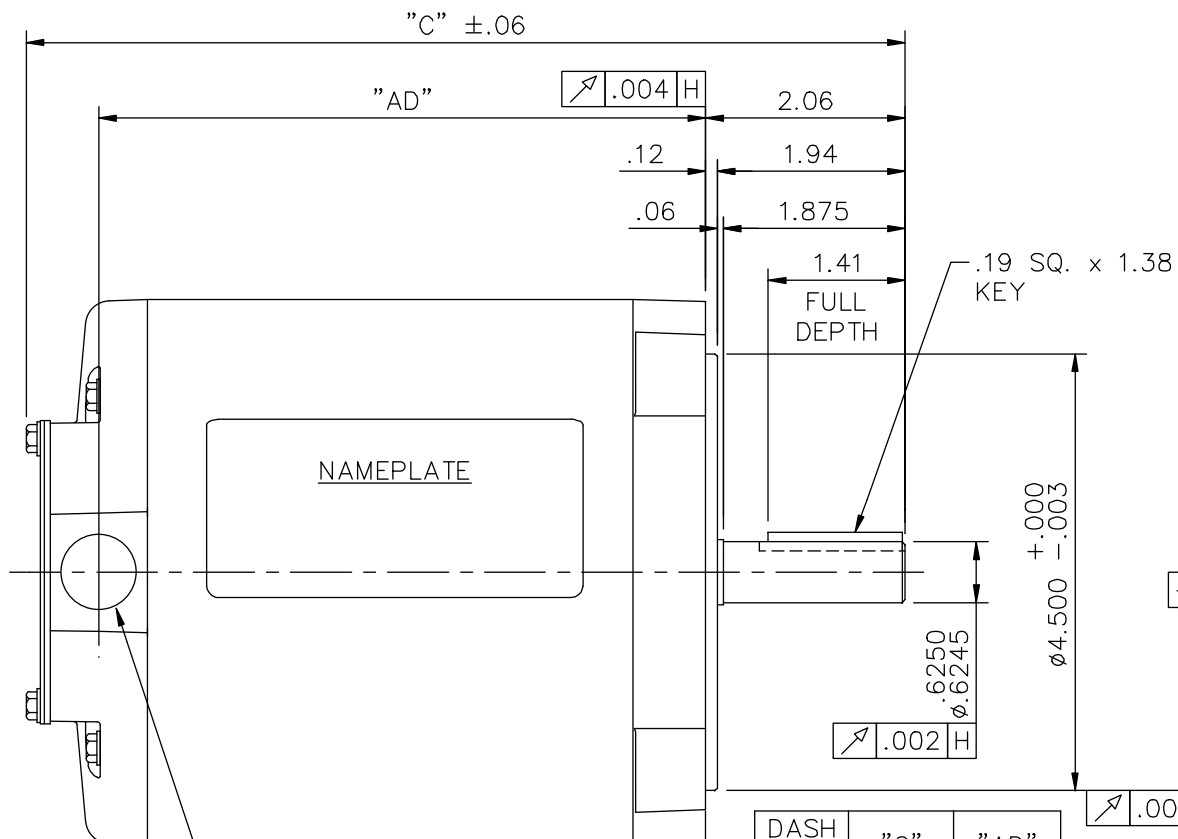
Nameplate Specifications

Output HP	0.25 Hp	Output KW	0.19 kW
Frequency	60 Hz	Voltage	208-230/460 V
Current	0.90/0.45 A	Speed	1725 rpm
Service Factor	1.15	Phase	3
Efficiency	78 %	Duty	Continuous
Insulation Class	B	Design Code	B
KVA Code	M	Frame	S56C
Enclosure	Totally Enclosed Non Ventilated	Overload Protector	No
Ambient Temperature	40 °C	Drive End Bearing Size	6203
Opp Drive End Bearing Size	6203	UL	Recognized
CSA	Y	CE	N
IP Code	43		

Technical Specifications


Electrical Type	Squirrel Cage Induction Run	Starting Method	Across The Line
Poles	4	Rotation	Reversible
Mounting	Round	Motor Orientation	HORIZONTAL
Drive End Bearing	BALL	Opp Drive End Bearing	BALL
Frame Material	Rolled Steel	Shaft Type	NEMA 56
Overall Length	9.56 in	Frame Length	5.50 in
Shaft Diameter	0.625 in	Shaft Extension	1.88 in
Assembly/Box Mounting	F1 ONLY		
Outline Drawing	031654-550	Connection Diagram	005010.01

This is an uncontrolled document once printed or downloaded and is subject to change without notice. Date Created: 10/15/2018



DASH NO.	"C"	"AD"
450	8.56	5.75
475	8.81	6.00
500	9.06	6.25
525	9.31	6.50
550	9.56	6.75
575	9.81	7.00
600	10.06	7.25
625	10.31	7.50
650	10.56	7.75
675	10.81	8.00
750	11.56	8.75

GASKETS THROUGHOUT

		TOLERANCES UNLESS SPECIFIED		 ELECTRIC MOTORS GEARMOTORS AND DRIVES	DRAWN PG 9/28/01
		DEC.	INCHES		CHK
		.X	±.1		APPD
		.XX	±.03		SCALE 1=2
		.XXX	±.005		REF 031078
01	REVISED CALLOUT FOR GD&T	KMM 6/6/02	.XXXX ±.0005	TITLE OUTLINE - S56C FRAME "C" FACE MOUNT - TENV	FMF 101648
NO.	REVISION	BY & DATE	CHK ANG ±1/2'	MAT'L. 3 PHASE	PREV
THIS DRAWING IN DESIGN AND DETAIL IS OUR PROPERTY AND MUST NOT BE USED EXCEPT IN CONNECTION WITH OUR WORK ALL RIGHTS OF DESIGN AND INVENTION ARE RESERVED THIS IS AN ELECTRONICALLY GENERATED DOCUMENT - DO NOT SCALE THIS PRINT			RFP	CAD FILE 031654	SIZE A
			DIST		DRAWING NO. 031654
					REV. 01

005010-01

VIEW FROM OUTSIDE OF MOTOR AT SWITCH END.



VOLTAGE	L1	L2	L3	JOIN & INSULATE
HIGH	T1	T2	T3	(T4,T7) (T5,T8) (T6,T9)
LOW	T1,T7	T2,T8	T3,T9	T4,T5,T6

				TOLERANCES UNLESS SPECIFIED		Regal Beloit America, Inc.		DRAWN RDW 04/12/02				
				DEC.	INCHES			CHK				
				.X	±.1			APPD				
				.XX	±.01			SCALE 1=1				
				.XXX	±.005	TITLE		REF FIG.2-51				
A	UPDATED TO REGAL LOGO			SAJ	06/26/15	AJY	.XXXX	±.0005	MAT'L. DECAL - 004014	FMF		
NO.	REVISION			BY & DATE	CHK	ANG	±1/2"	FINISH	PREV			
THIS DRAWING IN DESIGN AND DETAIL IS OUR PROPERTY AND MUST NOT BE USED EXCEPT IN CONNECTION WITH OUR WORK ALL RIGHTS OF DESIGN AND INVENTION ARE RESERVED THIS IS AN ELECTRONICALLY GENERATED DOCUMENT - DO NOT SCALE THIS PRINT				RFP	04/12/02		CAD FILE	00501001		SIZE	DRAWING NO.	REV.
				DIST	BRF-NLV				A	005010-01		A



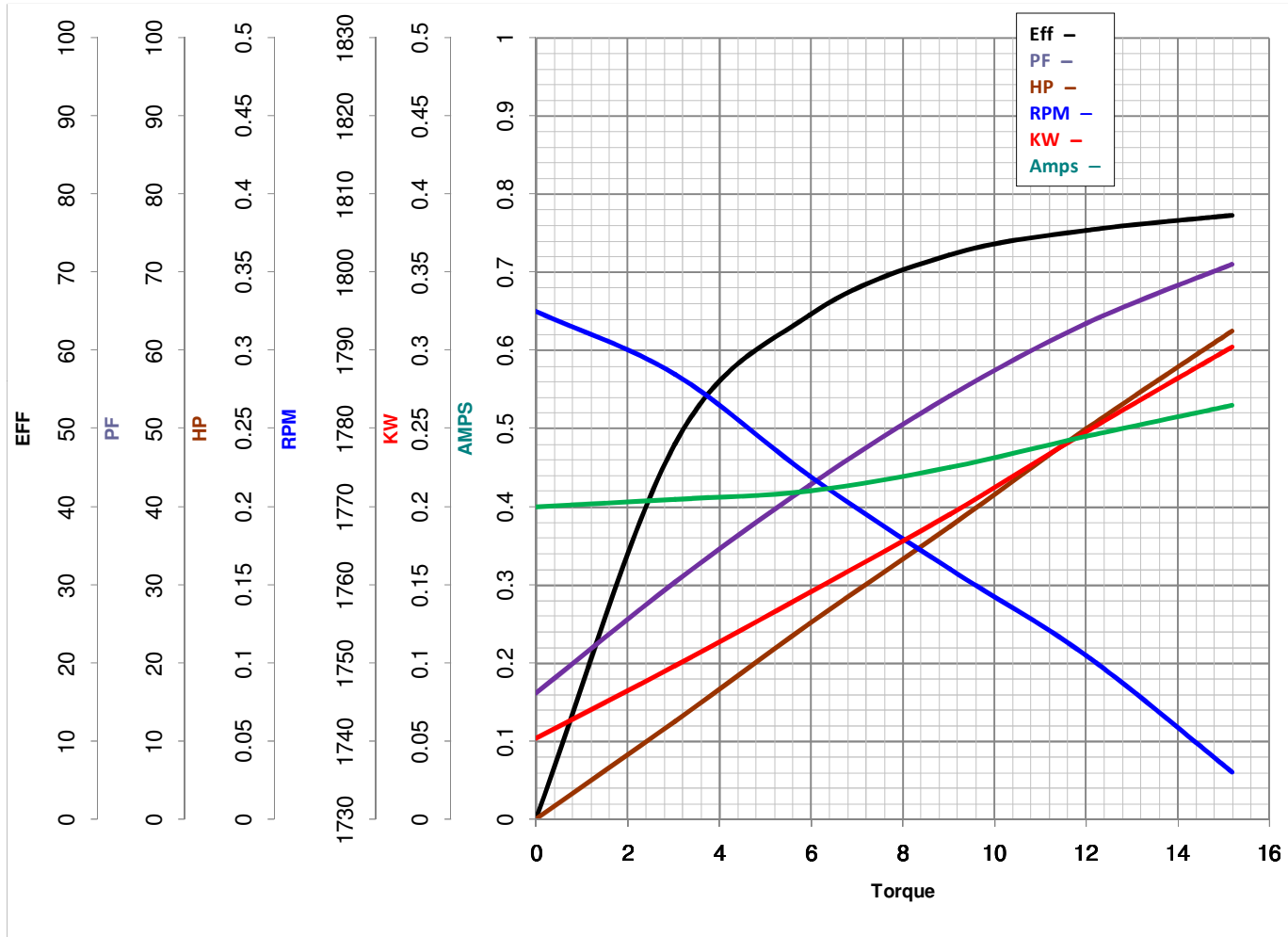
LEESON ELECTRIC CORPORATION
TYPICAL PERFORMANCE CURVE for AC MOTOR

Model No 101648.00

Catalog No 101648.00

Curve at 460 Volts HP 0.25&0.25 PHASE 3
60 HZ
0.25 HP VOLTS 208-230/460&208-230/460

HZ 60&50 RPM 1725&1425



Torque in Oz.Ft

FL TORQUE 12.01 Oz.Ft
BD TORQUE 61.2 Oz.Ft
LR TORQUE 52.25 Oz.Ft

FL AMPS 9.45
PU TORQUE 52.1 Oz.Ft
LR AMPS 3.33

WINDING TE48451-3

Date 5/21/2018