

PRODUCT INFORMATION PACKET



Model No: M4C14FZ5J

Catalog No: 101643.00

1/2HP..1425RPM.48.TEFC.110/220V.1PH.50HZ.CONT.MANUAL.40C.1.0SF.SPECIAL.AG - FEED-
AUGER.M4C14FZ5JJ

Auger Drive



Regal and Leeson are trademarks of Regal Beloit Corporation or one of its affiliated companies.

©2018 Regal Beloit Corporation, All Rights Reserved. MC017097E





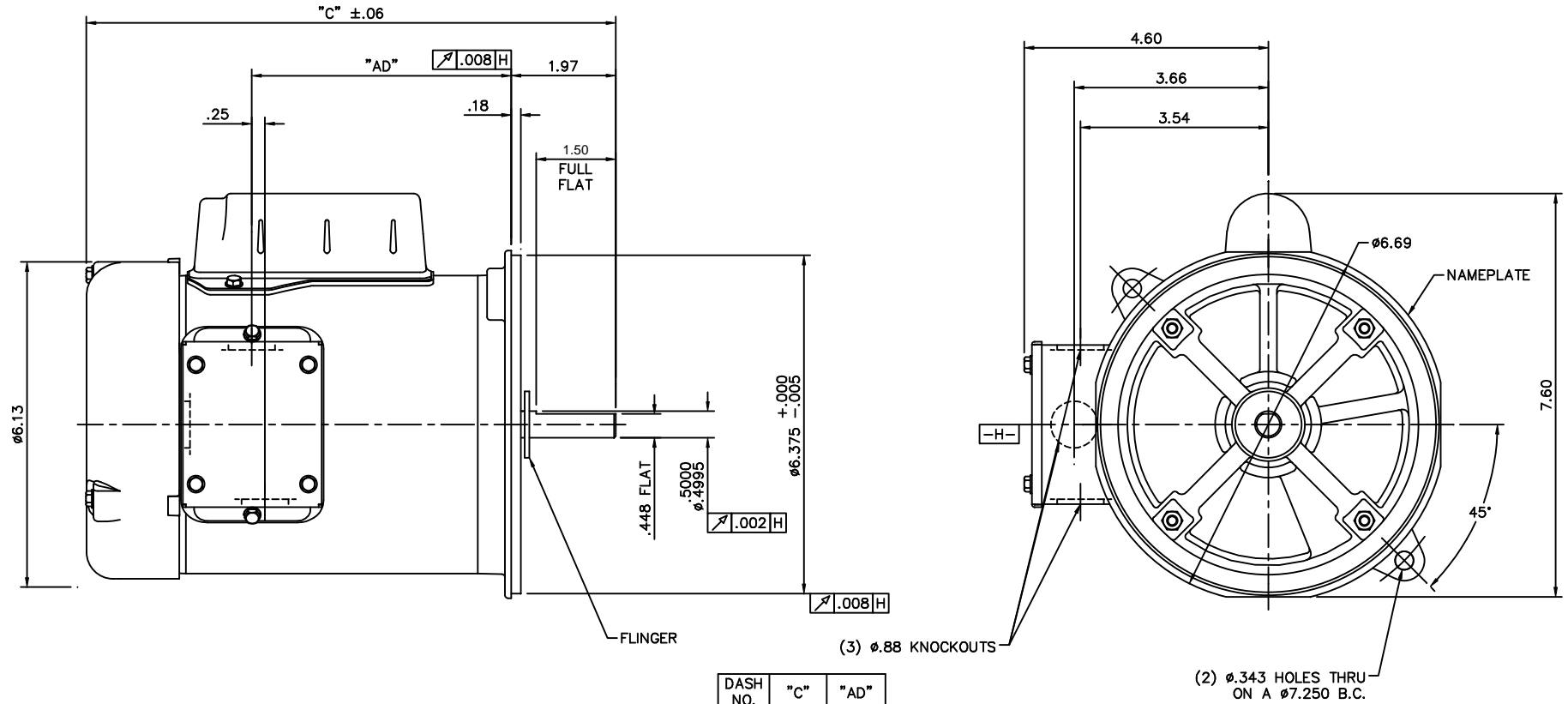
Nameplate Specifications

Output HP	0.50 Hp	Output KW	0.37 kW
Frequency	50 Hz	Voltage	110/220 V
Current	8.0/4.0 A	Speed	1425 rpm
Service Factor	1	Phase	1
Efficiency	64 %	Duty	Continuous
Insulation Class	B	Design Code	NO DESIGN CODE
KVA Code	J	Frame	48Y
Enclosure	Totally Enclosed Fan Cooled	Overload Protector	Manual
Ambient Temperature	40 °C	Drive End Bearing Size	6203
Opp Drive End Bearing Size	6203	UL	Recognized
CSA	Y	CE	N
IP Code	43		

Technical Specifications

Electrical Type	Capacitor Start Induction Run	Starting Method	Across The Line
Poles	4	Rotation	Selective Counterclockwise
Mounting	Round	Motor Orientation	HORIZONTAL
Drive End Bearing	BALL	Opp Drive End Bearing	BALL
Frame Material	Rolled Steel	Shaft Type	Single Special Extension
Overall Length	11.47 in	Frame Length	7.00 in
Shaft Diameter	0.500 in	Shaft Extension	1.5 in
Assembly/Box Mounting	F1 ONLY		
Outline Drawing	031779-700	Connection Diagram	005003.72

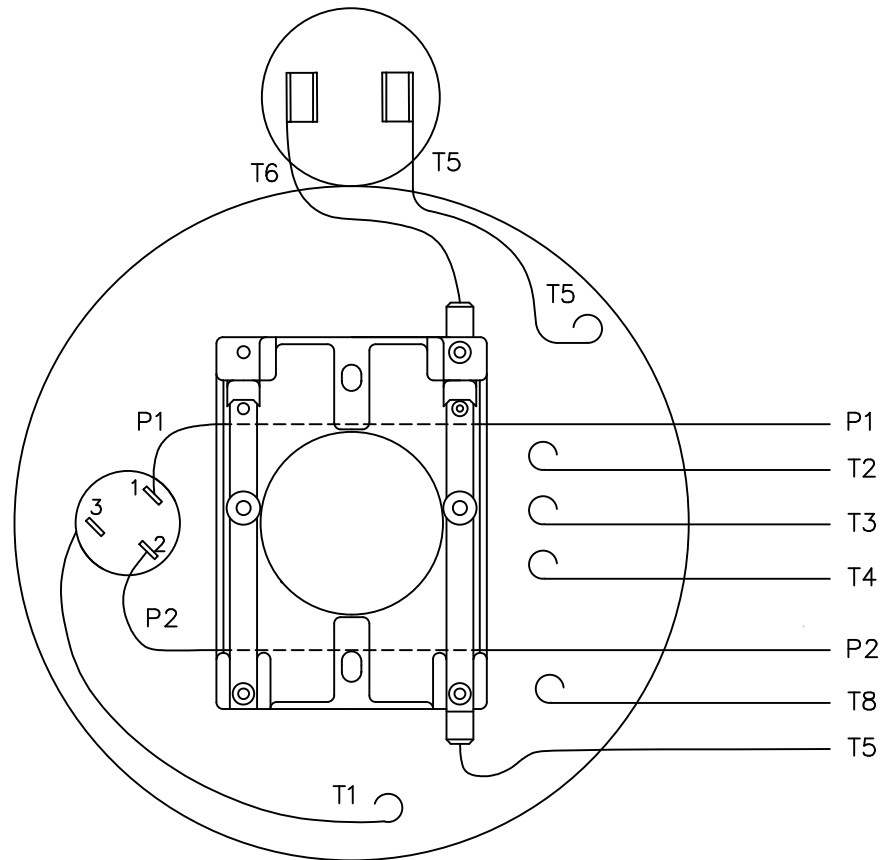
This is an uncontrolled document once printed or downloaded and is subject to change without notice. Date Created: 10/15/2018



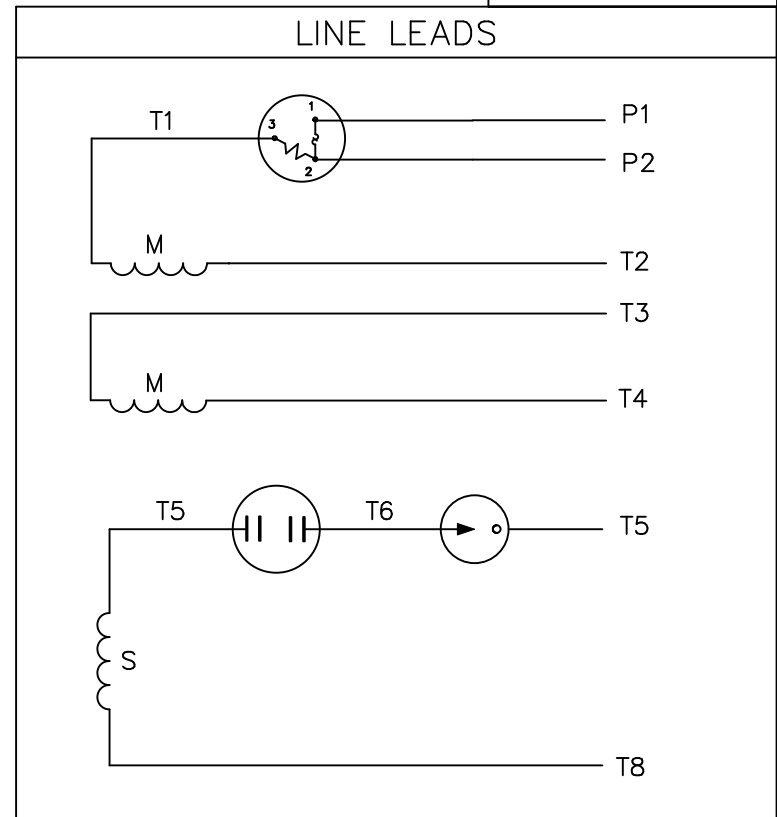
DASH NO.	"C"	"AD"
550	9.97	4.89
575	10.22	5.14
600	10.47	5.39
625	10.72	5.64
650	10.97	5.89
675	11.22	6.14
700	11.47	6.39
725	11.72	6.64
750	11.97	6.89
775	12.22	7.14
800	12.47	7.39

NO.		REVISION	BY & DATE	CHK	ANG	FINISH	CAD FILE		SIZE	DRAWING NO.	REV.
THIS DRAWING IN DESIGN AND DETAIL IS OUR PROPERTY AND MUST NOT BE USED EXCEPT IN CONNECTION WITH OUR WORK ALL RIGHTS OF DESIGN AND INVENTION ARE RESERVED THIS IS AN ELECTRONICALLY GENERATED DOCUMENT - DO NOT SCALE THIS PRINT				RFP			031779		B	031779	
				DIST							

TOLERANCES UNLESS SPECIFIED		ELECTRIC MOTORS GEARMOTORS AND DRIVES	DRAWN
DEC.	INCHES		KMM
.X	±.1		08/02/04
.XX	±.03		CHK
.XXX	±.005	APPD	
.XXXX	±.0005	TITLE	
		OUTLINE - 48Y FRAME	SCALE
		OIL BURNER FLANGE MOUNT - TEFC	1=2
		MAT'L	REF
		1 PHASE	031647
			FMF
			PRO40409
			PREV



VIEW FROM OUTSIDE OF MOTOR AT SWITCH END



	ROTATION FACING LEAD END	L1	L2	JOIN	INSULATE SEPARATE
HIGH VOLT	C.C.W.	P1	T4,T5	T2,T3 T8	P2
	C.W.	P1	T4,T8	T2,T3 T5	P2
LOW VOLT	C.C.W.	P1	T2,T4 T5	P2 T3,T8	---
	C.W.	P1	T2,T4 T8	P2 T3,T5	---

		TOLERANCES UNLESS SPECIFIED			
		DEC.	INCHES		
		.X	±.1		
		.XX	±.01		
		.XXX	±.005		
		.XXXX	±.0005		
NO.	REVISION	BY & DATE	CHK	ANG	±1/2"

	ELECTRIC MOTORS GEARMOTORS AND DRIVES	DRAWN KMM 02/18/05
		CHK
		APPD PG 02/18/05
	TITLE EXTERNAL WIRING DIAGRAM TYPE "C" W/PROTECTOR	SCALE 5=8
	MAT'L. DUAL VOLTAGE - DUAL ROTATION	REF 005003-52
FINISH "BRF" SWITCH	PREV	

THIS DRAWING IN DESIGN AND DETAIL IS OUR PROPERTY AND MUST NOT BE USED EXCEPT IN CONNECTION WITH OUR WORK ALL RIGHTS OF DESIGN AND INVENTION ARE RESERVED THIS IS AN ELECTRONICALLY GENERATED DOCUMENT - DO NOT SCALE THIS PRINT		RFP	CAD FILE	00500372	SIZE	DRAWING NO.	REV.
		DIST			A	005003-72	



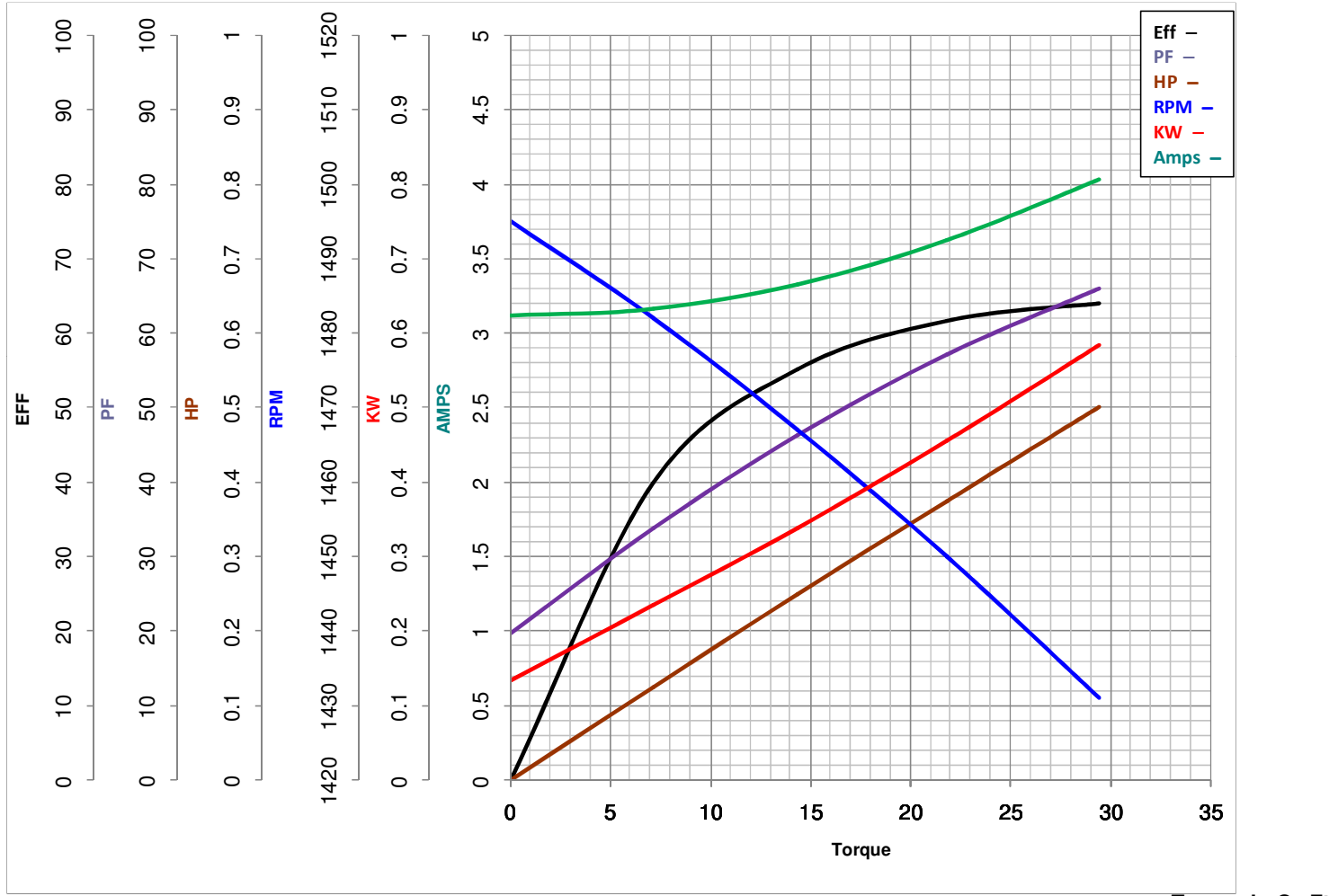
LEESON ELECTRIC CORPORATION
 TYPICAL PERFORMANCE CURVE for AC MOTOR

Model No 101643.00

Catalog No 101643.00

Curve at 220 Volts HP 0.50 PHASE 1
50 HZ
0.5 HP VOLTS 110/220

HZ 50 RPM 1425



FL TORQUE	<u>29.43</u> Oz.Ft	FL AMPS	<u>8/4</u>
BD TORQUE	<u>64.6</u> Oz.Ft	PU TORQUE	<u>61.4</u> Oz.Ft
LR TORQUE	<u>107.7</u> Oz.Ft	LR AMPS	<u>17.4</u>
WINDING	CE484269-3	Date	4/9/2018