

PRODUCT INFORMATION PACKET



Model No: A4T34DJ4D

Catalog No: 101639.00

1/3HP..3450/2850RPM.48.DP.230/460V.3PH.60/50HZ.CONT.AUTOMATIC.40C.1.35/1.35SF.RESIL.

Open Drip Proof (ODP)



Regal and Leeson are trademarks of Regal Beloit Corporation or one of its affiliated companies.

©2018 Regal Beloit Corporation, All Rights Reserved. MC017097E





Nameplate Specifications

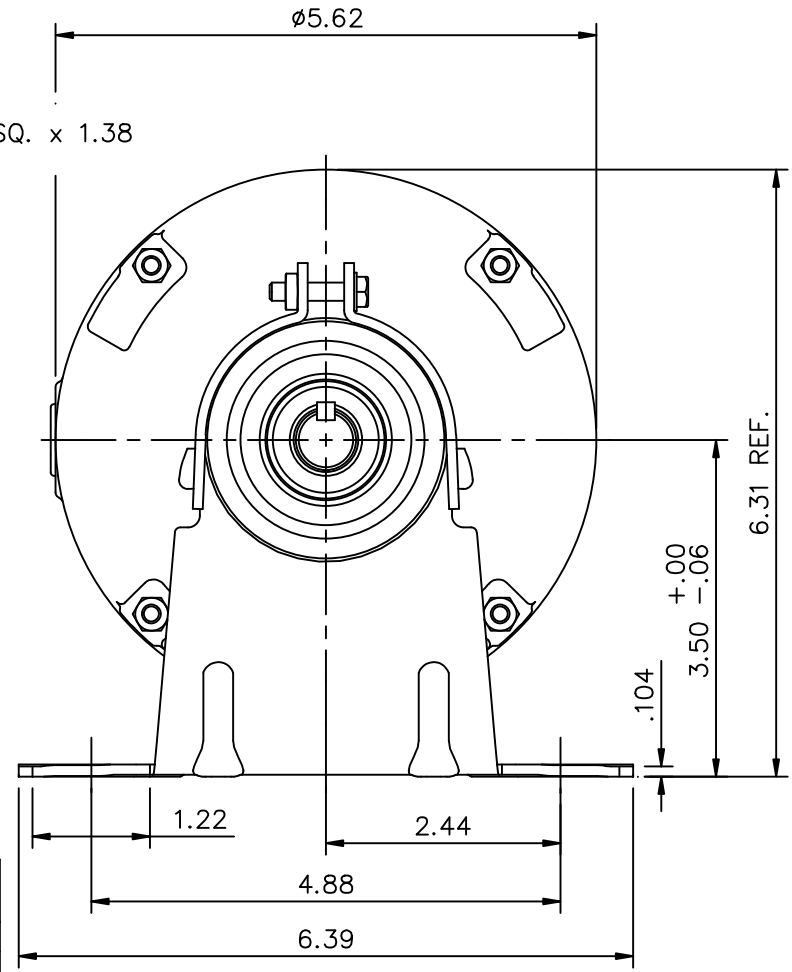
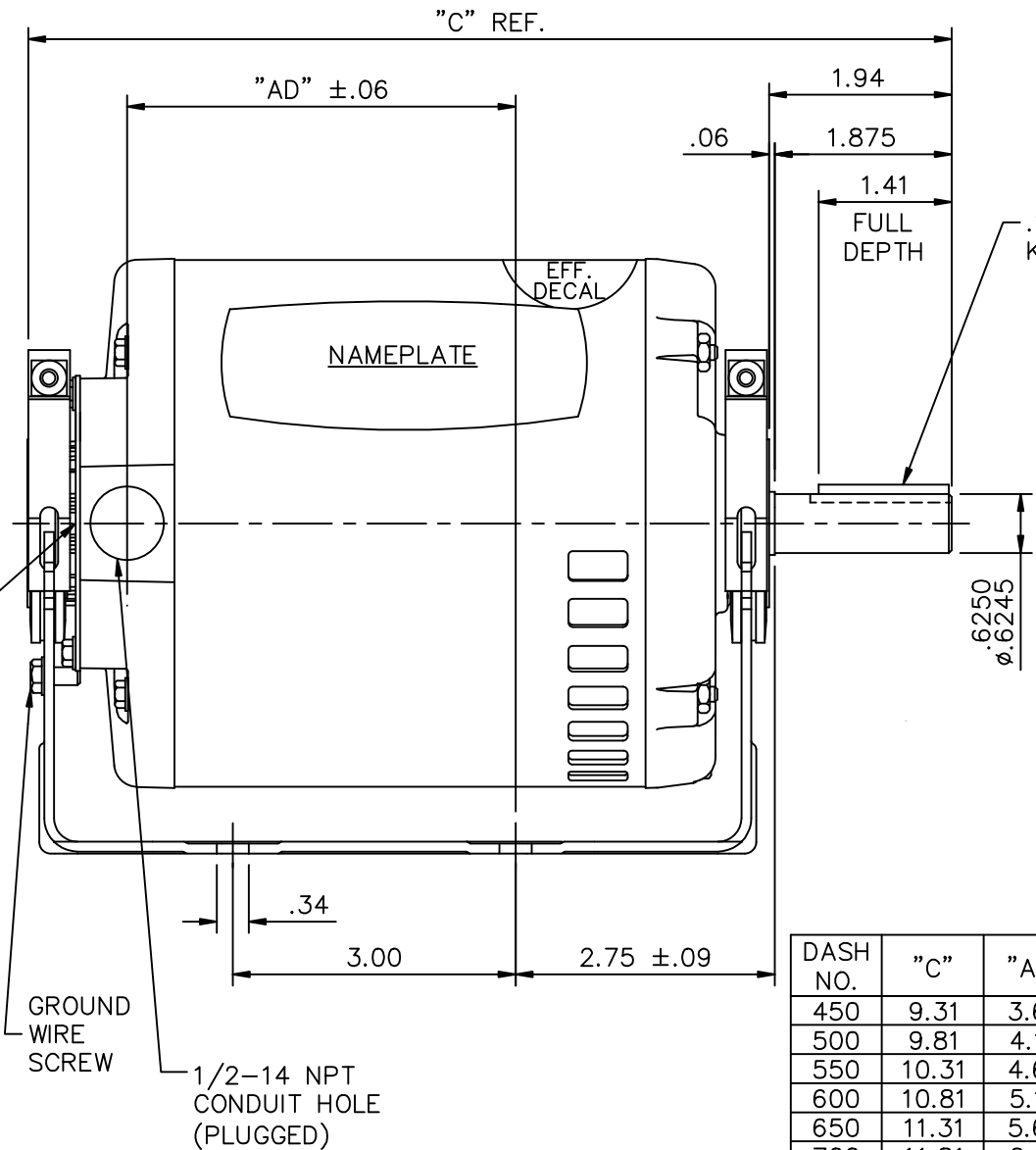
Output HP	0.33 Hp	Output KW	0.25 kW
Frequency	60 Hz	Voltage	208-230/460 V
Current	1.4/0.70 A	Speed	3450 rpm
Service Factor	1.35	Phase	3
Efficiency	61 %	Duty	Continuous
Insulation Class	B	Design Code	NO DESIGN CODE
KVA Code	L	Frame	S56
Enclosure	Drip Proof	Overload Protector	Automatic
Ambient Temperature	40 °C	Drive End Bearing Size	6203
Opp Drive End Bearing Size	6203	UL	Recognized
CSA	Y	CE	N
IP Code	22		

Technical Specifications

Electrical Type	Squirrel Cage Induction Run	Starting Method	Across The Line
Poles	2	Rotation	Reversible
Mounting	Resilient Base	Motor Orientation	HORIZONTAL
Drive End Bearing	BALL	Opp Drive End Bearing	BALL
Frame Material	Rolled Steel	Shaft Type	NEMA 56
Overall Length	10.31 in	Frame Length	5.50 in
Shaft Diameter	0.625 in	Shaft Extension	1.88 in
Assembly/Box Mounting	F1 ONLY		
Outline Drawing	031807-550	Connection Diagram	005020.01

This is an uncontrolled document once printed or downloaded and is subject to change without notice. Date Created: 10/15/2018

CONNECTION DECAL INSIDE COVER WHEN REQ'D
WARNING DECAL ON OUTSIDE OF COVER



DASH NO.	"C"	"AD"
450	9.31	3.62
500	9.81	4.12
550	10.31	4.62
600	10.81	5.12
650	11.31	5.62
700	11.81	6.12

TOLERANCES UNLESS SPECIFIED	
DEC.	INCHES
.X	±.1
.XX	±.03
.XXX	±.005
.XXXX	±.0005
ANG	±1/2°



ELECTRIC MOTORS
GEARMOTORS
AND DRIVES

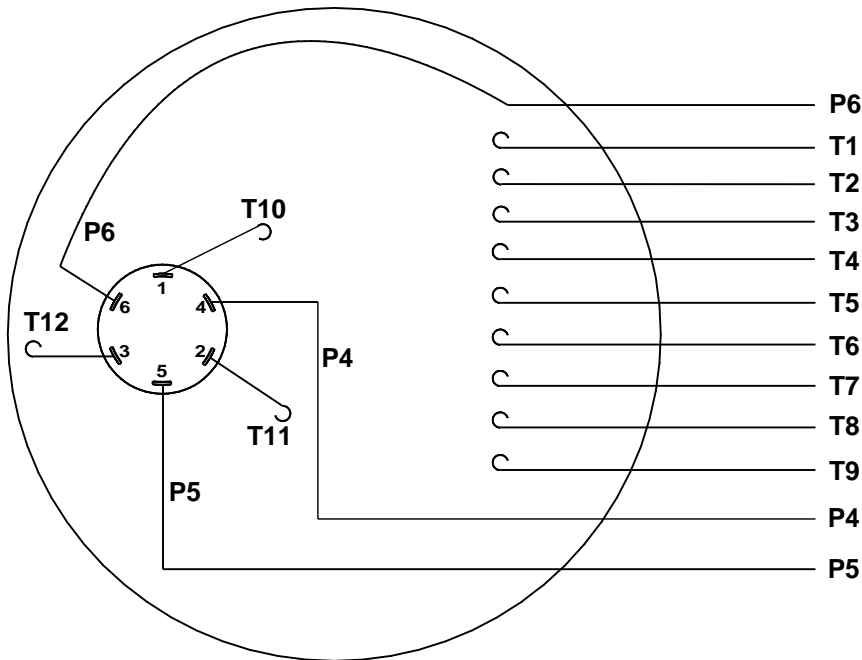
DRAWN	PG 02/18/05
CHK	
APPD	PG 02/18/05
SCALE	1=2
REF	030485
FMF	101773.00
PREV	

NO.	REVISION	BY & DATE	CHK	ANG
02	ADDED DECAL NOTES PER ASSEMBLY	GWS 8/19/11		.XXX ±.005
01	ADDED NOTE FOR GROUND WIRE SCREW	ARV 1/21/08		.XXXX ±.0005

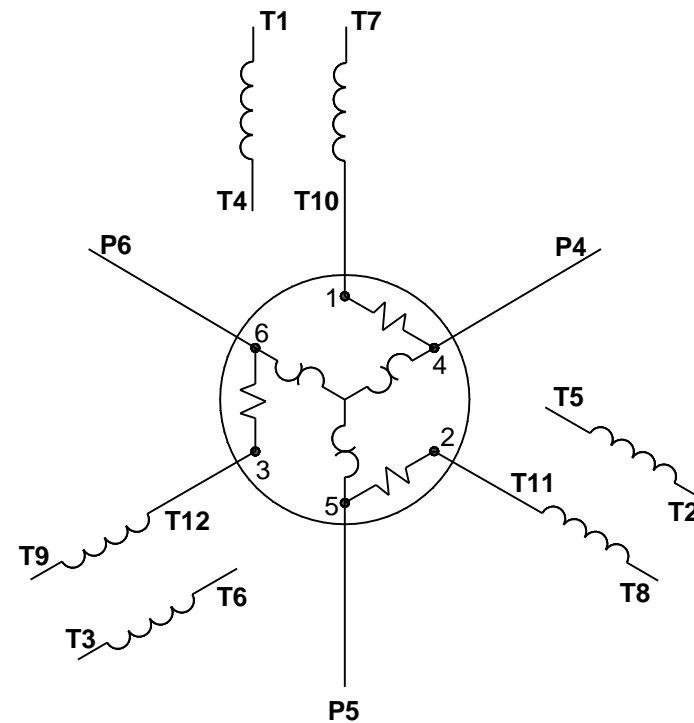
TITLE	OUTLINE - S56 FRAME RESILIENT MOUNT - DRIP PROOF
MAT'L.	3 PHASE
FINISH	

THIS DRAWING IN DESIGN AND DETAIL IS OUR PROPERTY AND MUST NOT BE USED EXCEPT IN CONNECTION WITH OUR WORK ALL RIGHTS OF DESIGN AND INVENTION ARE RESERVED THIS IS AN ELECTRONICALLY GENERATED DOCUMENT - DO NOT SCALE THIS PRINT		RFP	CAD FILE	031807	SIZE	DRAWING NO.	REV.
		DIST			A	031807	02

VIEW FROM OUTSIDE OF MOTOR AT SWITCH END.



LINE LEADS



VOLTAGE	L1	L2	L3	JOIN	SEPARATE
HIGH	T1	T2	T3	(T4, T7) (T5, T8) (T6, T9)	(P4), (P5), (P6)
LOW	T1, T7	T2, T8	T3, T9	(T4, P4) (T5, P5) (T6, P6)	

DRAWING REVISION D REVISION BY SM DATE 9/26/2016

ECO ECO-0109970 APPROVED BY SM DATE 9/26/2016

ECO DESCRIPTION UPDATED TO NEW TEMPLATE

COPYRIGHT REGAL BELOIT AMERICA, INC. ALL RIGHTS RESERVED. PROPRIETARY AND CONFIDENTIAL INFORMATION - THIS DOCUMENT IS THE PROPERTY OF REGAL BELOIT AMERICA, INC. ("OWNER") AND CONTAINS OWNER'S PROPRIETARY INFORMATION. ANY PERSON, CORPORATION OR OTHER FIRM RECEIVING IT IS DEEMED, BY RECEIVING IT, TO AGREE THAT IT, AND/OR ANY PART OF IT, SHALL NOT BE DISCLOSED TO ANY PERSON, CORPORATION OR OTHER ENTITY, DUPLICATED, AND/OR USED, EXCEPT AS EXPRESSLY APPROVED IN WRITING IN ADVANCE BY OWNER. THIS DOCUMENT SHALL BE RETURNED TO OWNER UPON REQUEST. IT MAY BE SUBJECT TO CERTAIN RESTRICTIONS UNDER APPLICABLE EXPORT CONTROL LAWS AND REGULATIONS.

TOLERANCES UNLESS OTHERWISE SPECIFIED:

DEC.	INCH	mm	ANGLE
.X	±0.1	[±2.5]	±0.5°
.XX	±0.01	[±0.25]	
.XXX	±0.005	[±0.127]	
.XXXX	±0.0005	[±0.0127]	

REMOVE BURRS & BREAK SHARP EDGES: .003/.015 [.076/.381] X 45°
CORNER FILLETS: R.02 [.51]
MACHINED SURFACES: 125/ INCH 3.2/ mm
mm SHOWN IN [BRACKETS]

DRAWN BY ADH 02/25/74

DATE

APPROVED BY JCW 03/11/74

DATE

REFERENCE

THIRD ANGLE PROJECTION



Regal Beloit America, Inc.

DESCRIPTION
CONN DIAGRAM-EXTERNAL
TYPE "T" W/PROTECTOR

MATERIAL DECAL - 004023

PROCESS/FINISH
ECO LAB

SIZE A DRAWING NUMBER 00502001 SHEET 1 OF 1



LEESON ELECTRIC CORPORATION
 TYPICAL PERFORMANCE CURVE for AC MOTOR

Model No 101639.00

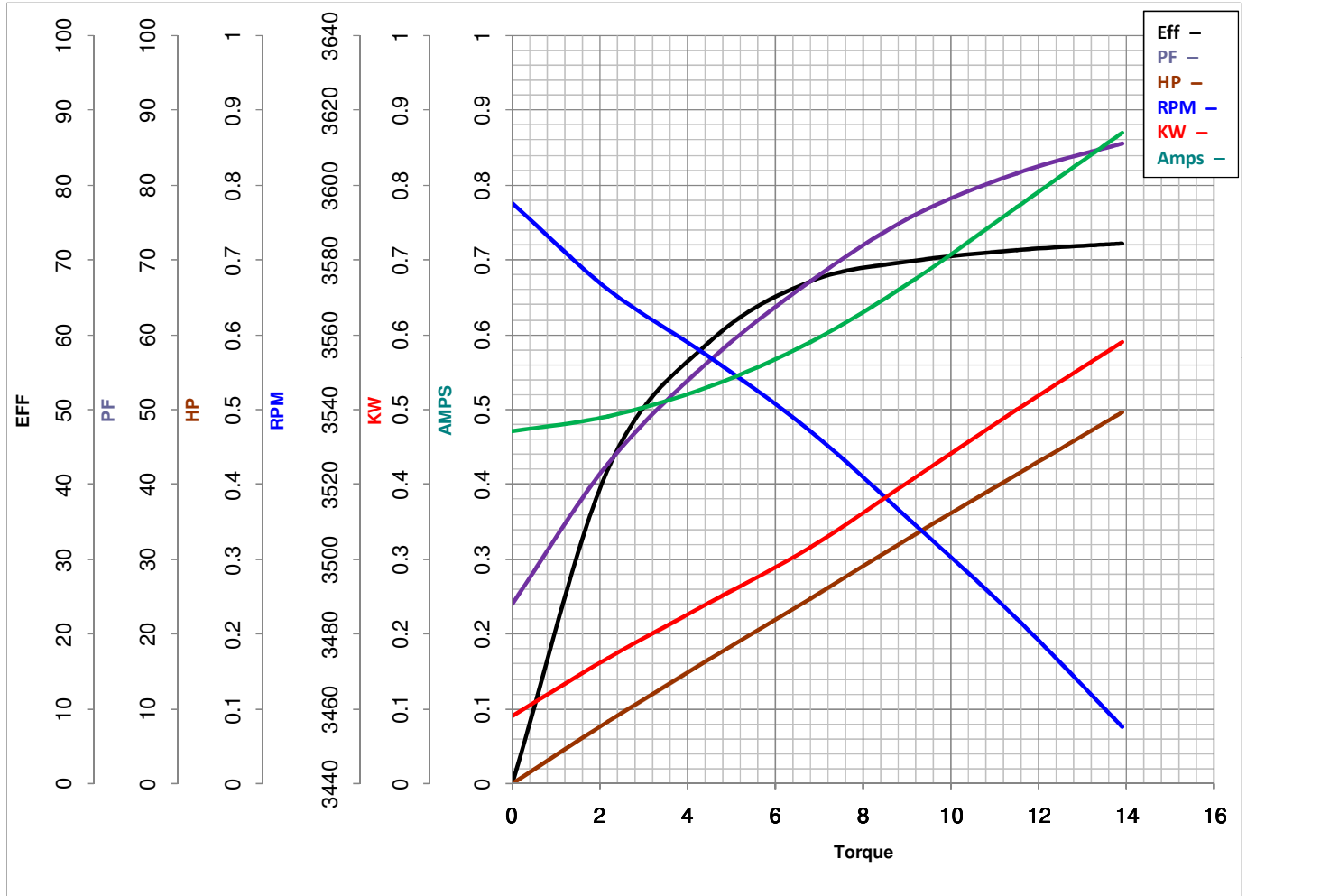
Catalog No 101639.00

Curve at 460 Volts
60 HZ
0.33 HP

HP 0.33&0.33 PHASE 3
 VOLTS 208-230/460&208-230/460

HZ 60&50

RPM 3450&2850



FL TORQUE	<u>9.1</u>	Oz.Ft	FL AMPS	<u>1.4/7</u>	
BD TORQUE	<u>34.8</u>	Oz.Ft	PU TORQUE	<u>23.1</u>	Oz.Ft
LR TORQUE	<u>26.4</u>	Oz.Ft	LR AMPS	<u>4.7</u>	
WINDING	T5526-5		Date	5/22/2018	