

# PRODUCT INFORMATION PACKET



Model No: A4K17DR6G

Catalog No: 101585.00

1/2HP..1725RPM.48.DP./115V.1PH.60HZ.CONT.AUTOMATIC.40C.1.35SF.RESILIENT  
BASE.WATTSAYER.A4K17DR6G

Single Phase



Regal and Leeson are trademarks of Regal Beloit Corporation or one of its affiliated companies.

©2018 Regal Beloit Corporation, All Rights Reserved. MC017097E





**Nameplate Specifications**

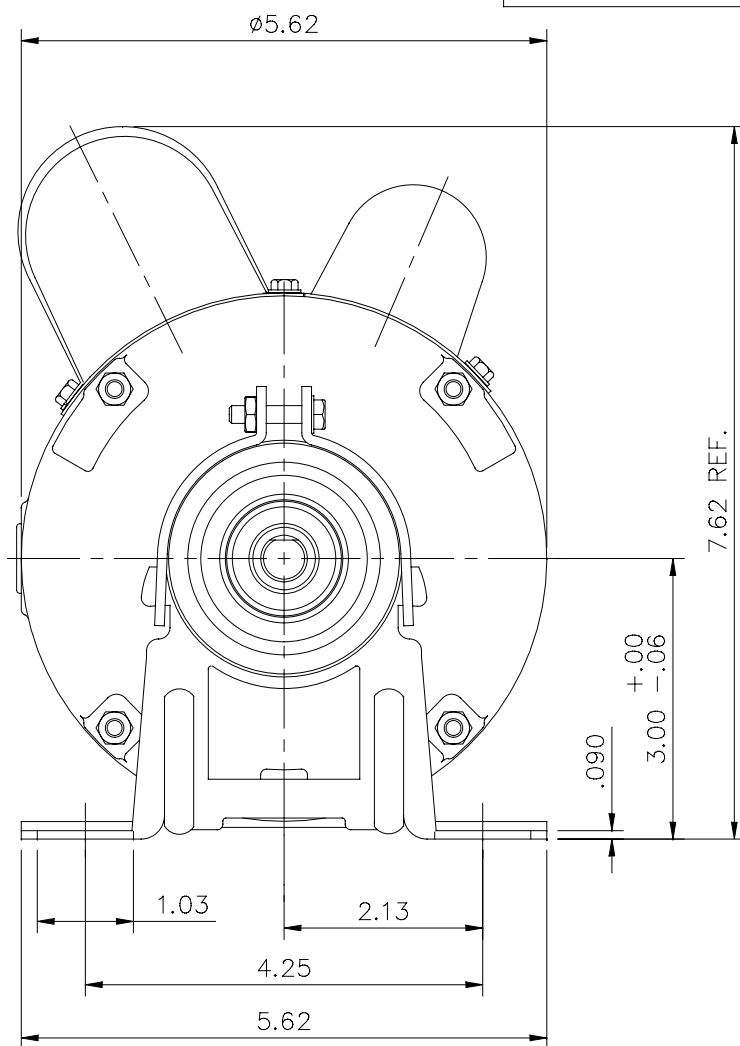
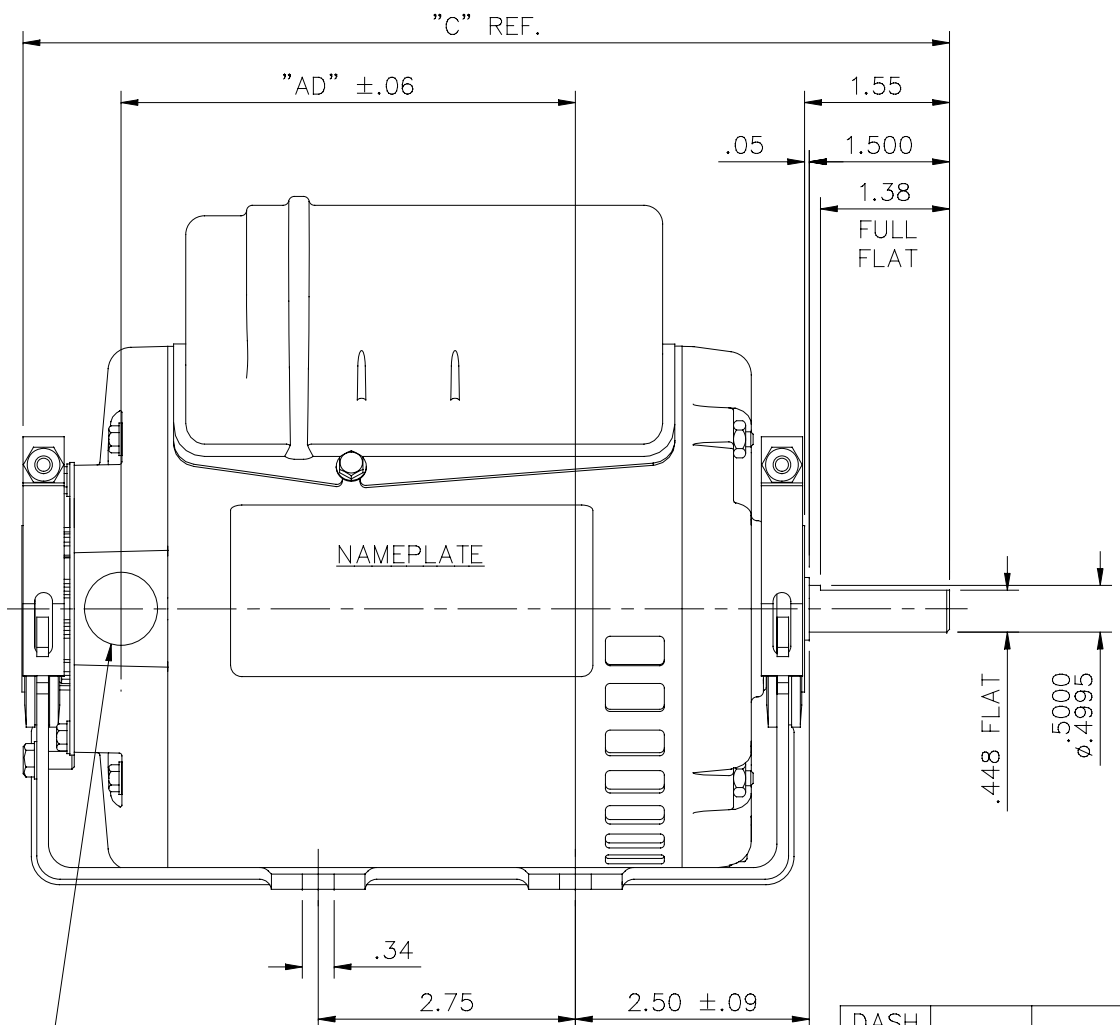
Output HP	<b>0.50 Hp</b>	Output KW	<b>0.37 kW</b>
Frequency	<b>60 Hz</b>	Voltage	<b>115 V</b>
Current	<b>4.6 A</b>	Speed	<b>1725 rpm</b>
Service Factor	<b>1.35</b>	Phase	<b>1</b>
Efficiency	<b>76 %</b>	Duty	<b>Continuous</b>
Insulation Class	<b>B</b>	Design Code	<b>N</b>
KVA Code	<b>F</b>	Frame	<b>48</b>
Enclosure	<b>Drip Proof</b>	Overload Protector	<b>Automatic</b>
Ambient Temperature	<b>40 °C</b>	Drive End Bearing Size	<b>6203</b>
Opp Drive End Bearing Size	<b>6203</b>	UL	<b>Recognized</b>
CSA	<b>Y</b>	CE	<b>N</b>
IP Code	<b>22</b>		

**Technical Specifications**

Electrical Type	<b>Capacitor Start Capacitor Run</b>	Starting Method	<b>Across The Line</b>
Poles	<b>4</b>	Rotation	<b>Selective Counterclockwise</b>
Mounting	<b>Resilient Base</b>	Motor Orientation	<b>HORIZONTAL</b>
Drive End Bearing	<b>BALL</b>	Opp Drive End Bearing	<b>BALL</b>
Frame Material	<b>Rolled Steel</b>	Shaft Type	<b>NEMA 48</b>
Overall Length	<b>11.39 in</b>	Frame Length	<b>7.00 in</b>
Shaft Diameter	<b>0.500 in</b>	Shaft Extension	<b>1.5 in</b>
Assembly/Box Mounting	<b>F1 ONLY</b>		
Outline Drawing	<b>031761-700</b>	Connection Diagram	<b>005056.58</b>

**This is an uncontrolled document once printed or downloaded and is subject to change without notice. Date Created: 10/15/2018**

031761

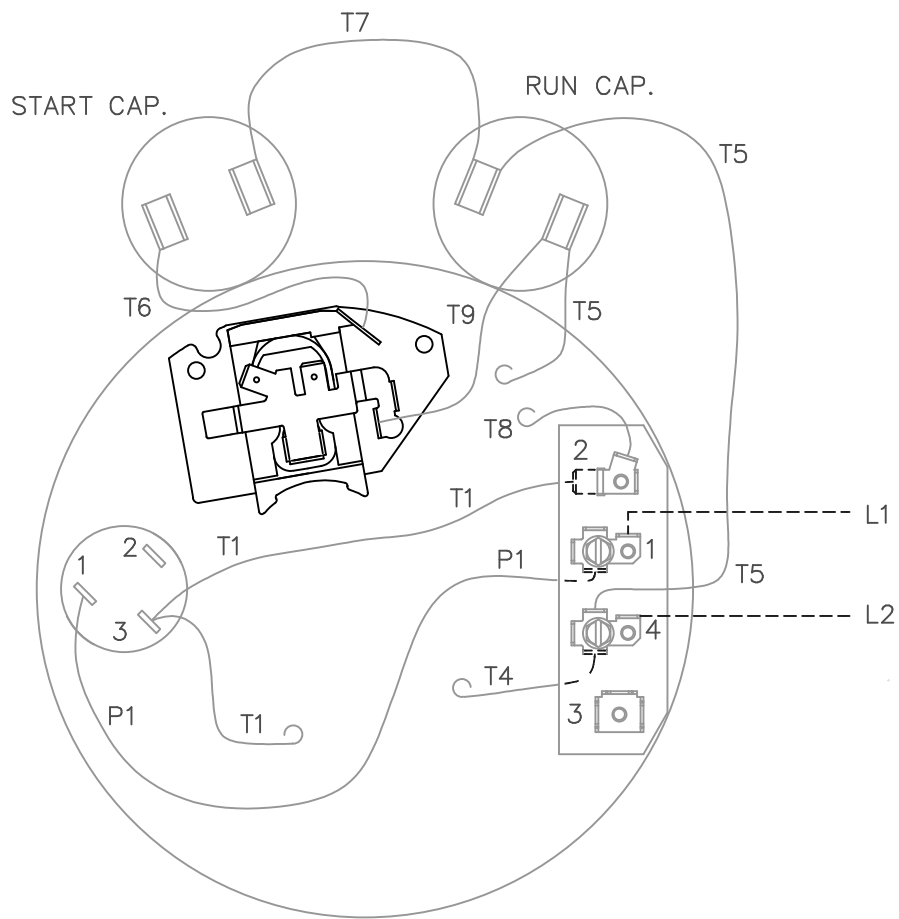


DASH NO.	"C"	"AD"
550	9.89	4.84
600	10.39	5.34
650	10.89	5.84
700	11.39	6.34

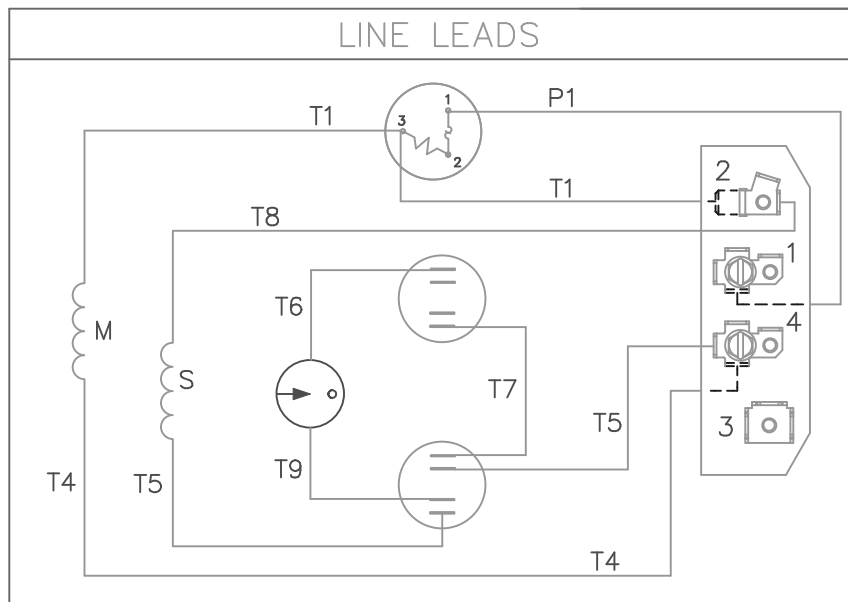
				TOLERANCES UNLESS SPECIFIED		DRAWN PG 3/2/04	
				DEC.	INCHES	CHK	
				.X	±.1	APPD	
				.XX	±.03	TITLE	
				.XXX	±.005	OUTLINE - 48 FRAME RESILIENT MOUNT - DRIP PROOF	
A	UPDATED CAP LOCATION PER ECO-0077700	PST 09/18/15	.XXXX	±.0005	MAT'L.	1 PHASE	
NO.	REVISION	BY & DATE	CHK	ANG ±1/2°	FINISH	STANDARD	
				RFP	CAD FILE	031761	SIZE
				DIST			DRAWING NO.
						A	031761
							REV.
							A

THIS DRAWING IN DESIGN AND DETAIL IS OUR PROPERTY AND MUST NOT BE USED EXCEPT IN CONNECTION WITH OUR WORK ALL RIGHTS OF DESIGN AND INVENTION ARE RESERVED THIS IS AN ELECTRONICALLY GENERATED DOCUMENT - DO NOT SCALE THIS PRINT

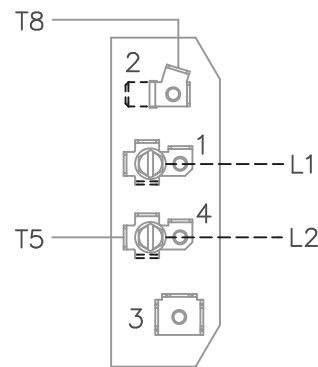
VIEW FROM OUTSIDE OF MOTOR AT SWITCH END.



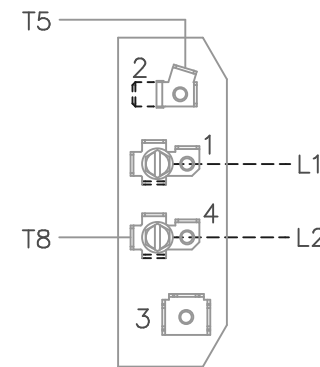
P1, T1, T4 TO GO TO  
BACK SIDE OF TERMINAL BOARD



C.C.W.L.E. ROTATION



C.W.L.E. ROTATION



TOLERANCES  
UNLESS SPECIFIED

DEC. INCHES

.X ±.1

.XX ±.01

.XXX ±.005

.XXXX ±.0005

ANG ±1/2°



ELECTRIC MOTORS  
GEARMOTORS  
AND DRIVES

DRAWN PG 3/2/04

CHK

APPD

SCALE 1=1

REF 005056-02

FMF 101585.00

PREV

TITLE  
EXTERNAL WIRING DIAGRAM  
TYPE "K" W/PROTECTOR

MAT'L. SINGLE VOLTAGE - DUAL ROTATION

FINISH

NO.

REVISION

BY & DATE

CHK

RFP

DIST

CAD FILE

00505658

SIZE

A

DRAWING NO.

005056-58

REV.

THIS DRAWING IN DESIGN AND DETAIL IS OUR PROPERTY AND MUST NOT BE USED EXCEPT  
IN CONNECTION WITH OUR WORK ALL RIGHTS OF DESIGN AND INVENTION ARE RESERVED  
THIS IS AN ELECTRONICALLY GENERATED DOCUMENT - DO NOT SCALE THIS PRINT

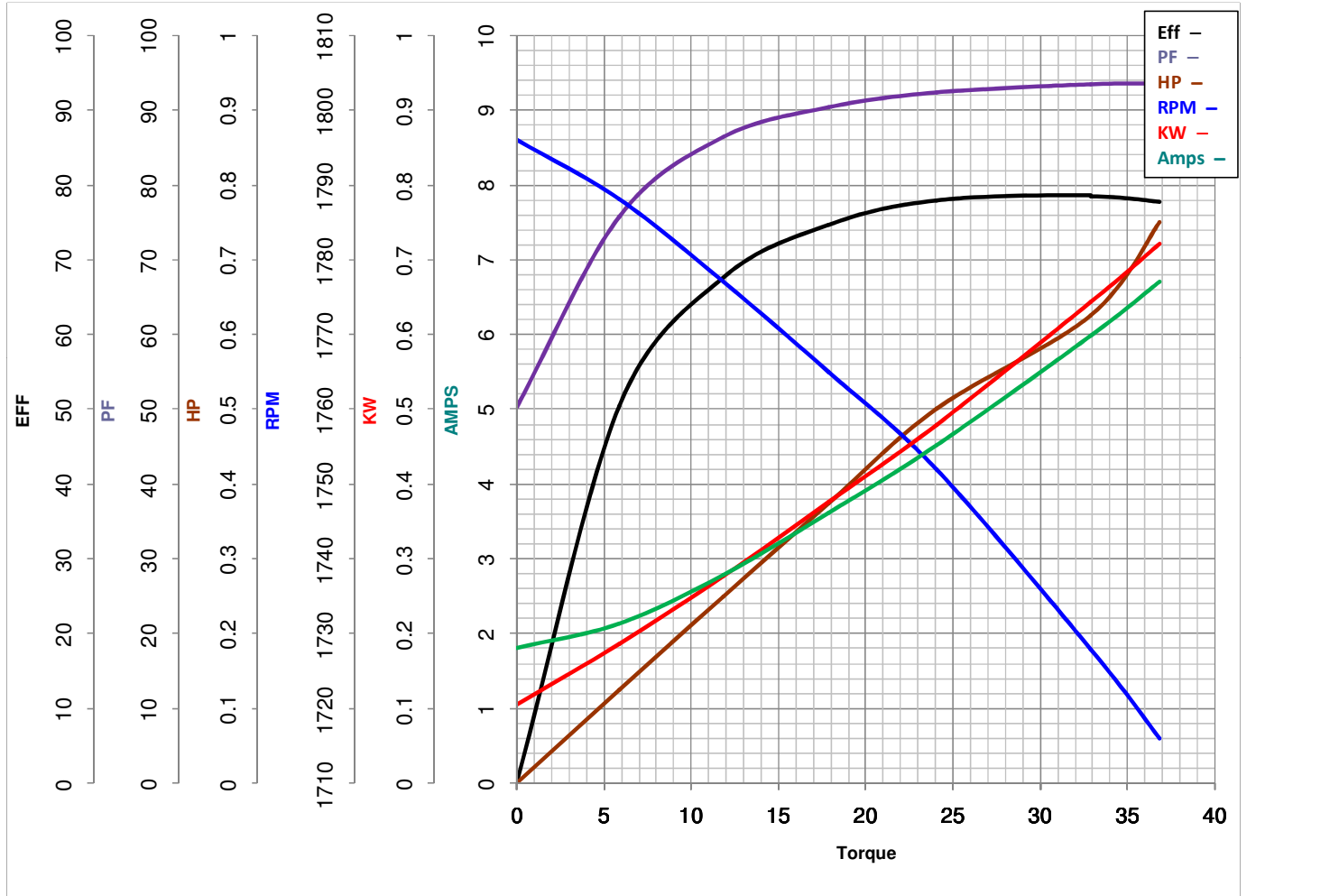


**LEESON ELECTRIC CORPORATION**  
TYPICAL PERFORMANCE CURVE for AC MOTOR

Curve at 115 Volts      HP 0.50      PHASE 1  
60 HZ  
0.5 HP      VOLTS 115  
HZ 60      RPM 1725

Model No 101585.00

Catalog No 101585.00



Torque in Oz.Ft

FL TORQUE 24.04 Oz.Ft  
 BD TORQUE 59.7 Oz.Ft  
 LR TORQUE 58.6 Oz.Ft

FL AMPS 4.6  
 PU TORQUE 57.3 Oz.Ft  
 LR AMPS 27.1

WINDING BE48471-1

Date 3/13/2018