

PRODUCT INFORMATION PACKET



Model No: M4K17DH2F

Catalog No: 101544.00

3/4HP..1725RPM.48.DP.115/230V.1PH.60HZ.CONT.MANUAL.40C.1.25SF.RIGID.GENERAL
PURPOSE.M4K17DH2F

Pressure Washers



Regal and Leeson are trademarks of Regal Beloit Corporation or one of its affiliated companies.

©2018 Regal Beloit Corporation, All Rights Reserved. MC017097E





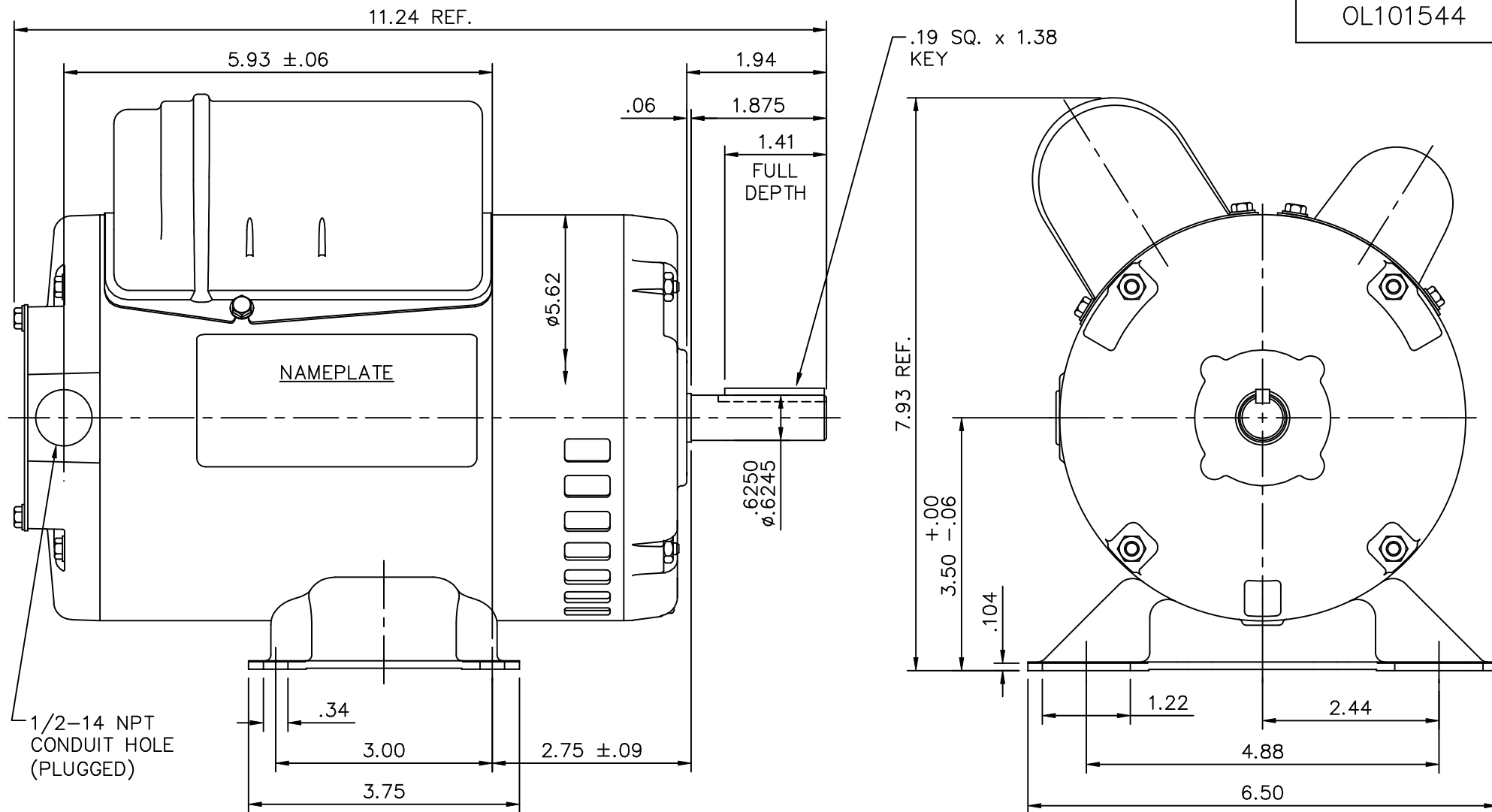
Nameplate Specifications


Output HP	0.75 Hp	Output KW	0.56 kW
Frequency	60 Hz	Voltage	115/230 V
Current	8.0/4.0 A	Speed	1725 rpm
Service Factor	1.25	Phase	1
Efficiency	76 %	Duty	Continuous
Insulation Class	B	Design Code	N
KVA Code	K	Frame	S56
Enclosure	Drip Proof	Overload Protector	Manual
Ambient Temperature	40 °C	Drive End Bearing Size	6203
Opp Drive End Bearing Size	6203	UL	Recognized
CSA	Y	CE	Y
IP Code	12		

Technical Specifications

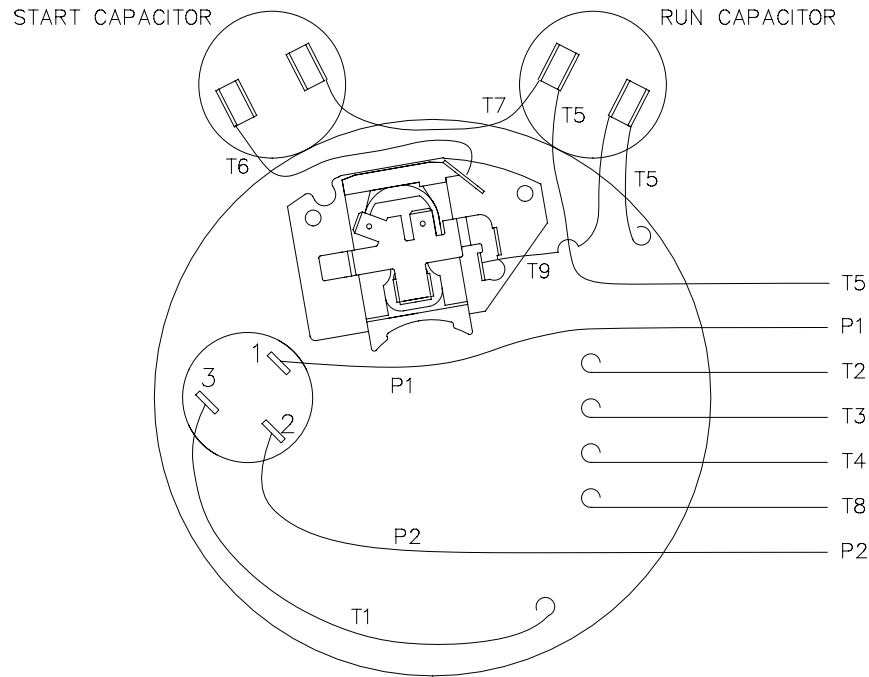
Electrical Type	Capacitor Start Capacitor Run	Starting Method	Across The Line
Poles	4	Rotation	Selective Counterclockwise
Mounting	Rigid base	Motor Orientation	HORIZONTAL
Drive End Bearing	BALL	Opp Drive End Bearing	BALL
Frame Material	Rolled Steel	Shaft Type	NEMA 48
Overall Length	11.24 in	Frame Length	7.37 in
Shaft Diameter	0.625 in	Shaft Extension	1.88 in
Assembly/Box Mounting	F1 ONLY		
Outline Drawing	OL101544	Connection Diagram	005053.40

This is an uncontrolled document once printed or downloaded and is subject to change without notice. Date Created: 10/15/2018



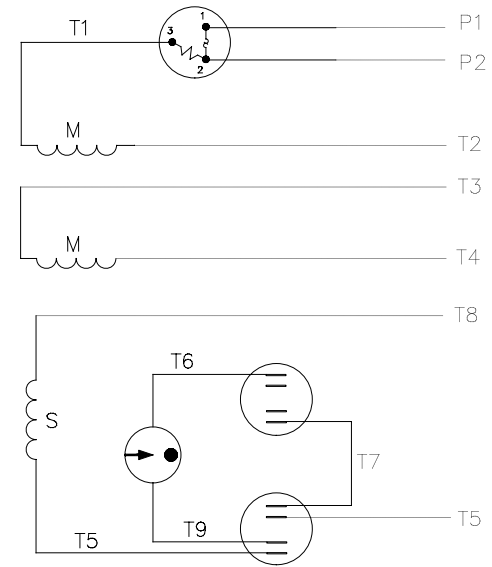
				TOLERANCES UNLESS SPECIFIED		 ELECTRIC MOTORS GEARMOTORS AND DRIVES	DRAWN	PG 6/9/04		
				DEC.	INCHES		CHK			
				.X	±.1			APPD		
				.XX	±.03		TITLE	SCALE 1=2		
				.XXX	±.005		OUTLINE – S56 FRAME OPEN DRIP PROOF – RIGID MOUNT	REF 031071		
				.XXXX	±.0005	MAT'L. 1 PHASE	FMF 101544.00			
NO.	REVISION	BY & DATE	CHK	ANG	±1/2'	FINISH	STANDARD	PREV		
			RFP			CAD FILE	OL101544	SIZE	DRAWING NO.	REV.
			DIST					A	OL101544	

THIS DRAWING IN DESIGN AND DETAIL IS OUR PROPERTY AND MUST NOT BE USED EXCEPT IN CONNECTION WITH OUR WORK ALL RIGHTS OF DESIGN AND INVENTION ARE RESERVED THIS IS AN ELECTRONICALLY GENERATED DOCUMENT – DO NOT SCALE THIS PRINT



VIEW FROM OUTSIDE OF MOTOR AT SWITCH END

LINE LEADS



	ROTATION FACING LEAD END	L1	L2	JOIN	INSULATE SEPARATE
HIGH VOLT	C.C.W.	P1	T4, T5	T2, T3 T8	P2
	C.W.	P1	T4, T8	T2, T3 T5	P2
LOW VOLT	C.C.W.	P1	T2, T4 T5	P2 T3, T8	---
	C.W.	P1	T2, T4 T8	P2 T3, T5	---

				TOLERANCES UNLESS SPECIFIED		REGAL ™ Regal Beloit America, Inc.	DRAWN PG 7/2/02		
				DEC.	INCHES		CHK		
				.X	±.1		APPD		
				.XX	±.01		SCALE 5=8		
				.XXX	±.005	REF 005053.01			
A	CHANGED LOGO TO REGAL	PST	2/1/16	SKM	.XXXX	±.0005	TITLE EXTERNAL WIRING DIAGRAM TYPE "K" W/PROTECTOR		
NO.	REVISION	BY & DATE	CHK	ANG	±1/2"	MAT'L. DUAL VOLTAGE - DUAL ROTATION			
THIS DRAWING IN DESIGN AND DETAIL IS OUR PROPERTY AND MUST NOT BE USED EXCEPT IN CONNECTION WITH OUR WORK ALL RIGHTS OF DESIGN AND INVENTION ARE RESERVED THIS IS AN ELECTRONICALLY GENERATED DOCUMENT - DO NOT SCALE THIS PRINT				RFP	CAD FILE 00505340		SIZE A	DRAWING NO. 005053-40	REV. A
				DIST					

