

PRODUCT INFORMATION PACKET



Model No: A4K17DR5H

Catalog No: 101405.00

1/3HP..1725RPM.48.DP./115V.1PH.60HZ.CONT.AUTOMATIC.40C.1.35SF.RESILIENT
BASE.WATTSAYER.A4K17DR5H

Single Phase



Regal and Leeson are trademarks of Regal Beloit Corporation or one of its affiliated companies.

©2018 Regal Beloit Corporation, All Rights Reserved. MC017097E





Nameplate Specifications

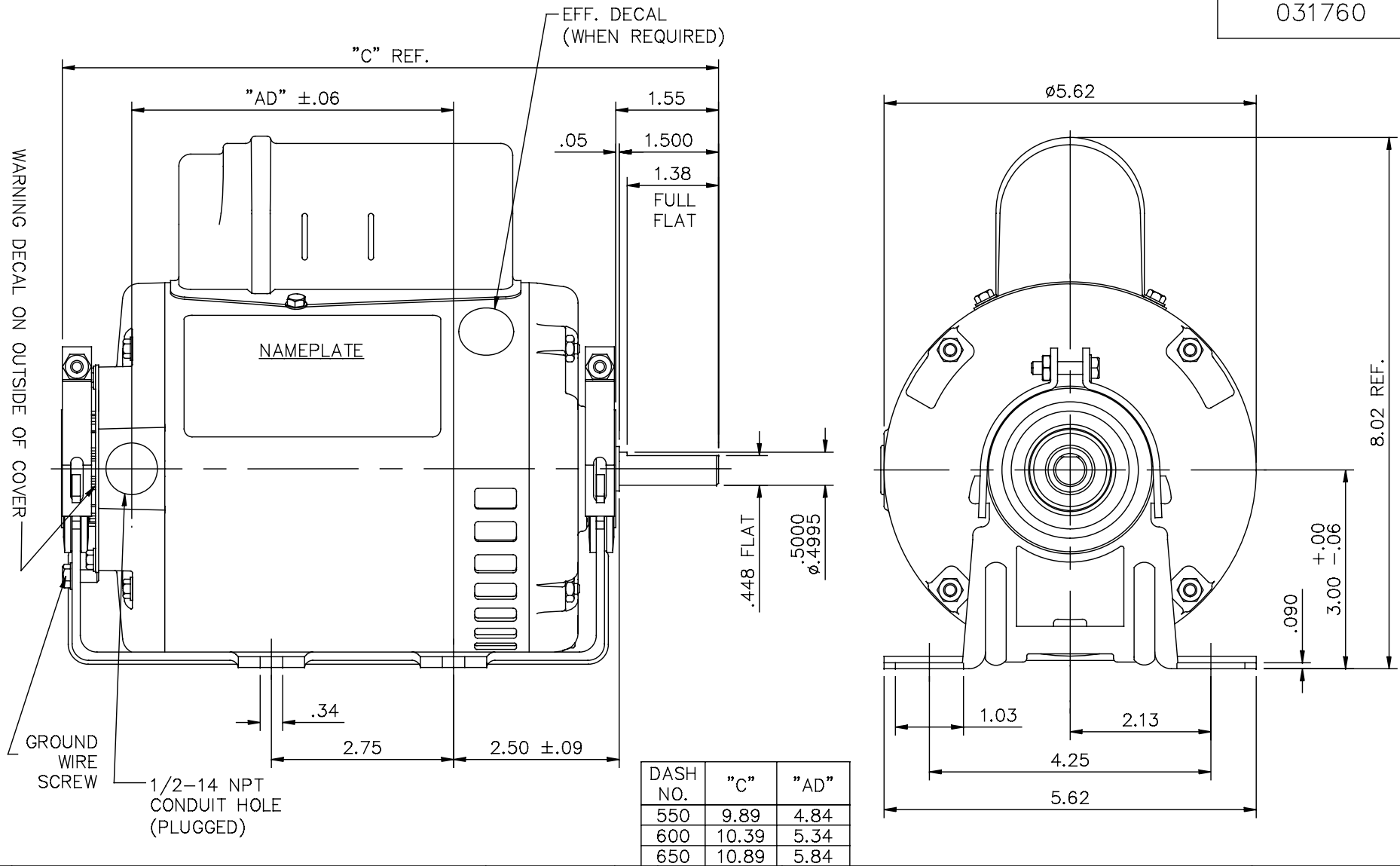
Output HP	0.33 Hp	Output KW	0.25 kW
Frequency	60 Hz	Voltage	115 V
Current	3.2 A	Speed	1725 rpm
Service Factor	1.35	Phase	1
Efficiency	75 %	Duty	Continuous
Insulation Class	F	Design Code	NO DESIGN CODE
KVA Code	K	Frame	48
Enclosure	Drip Proof	Overload Protector	Automatic
Ambient Temperature	40 °C	Drive End Bearing Size	6203
Opp Drive End Bearing Size	6203	UL	Recognized
CSA	Y	CE	N
IP Code	22		

Technical Specifications

Electrical Type	Capacitor Start Capacitor Run	Starting Method	Across The Line
Poles	4	Rotation	Selective Counterclockwise
Mounting	Resilient Base	Motor Orientation	HORIZONTAL
Drive End Bearing	BALL	Opp Drive End Bearing	BALL
Frame Material	Rolled Steel	Shaft Type	NEMA 48
Overall Length	10.39 in	Frame Length	6.00 in
Shaft Diameter	0.500 in	Shaft Extension	1.5 in
Assembly/Box Mounting	F1 ONLY		
Outline Drawing	031760-600	Connection Diagram	005326.02

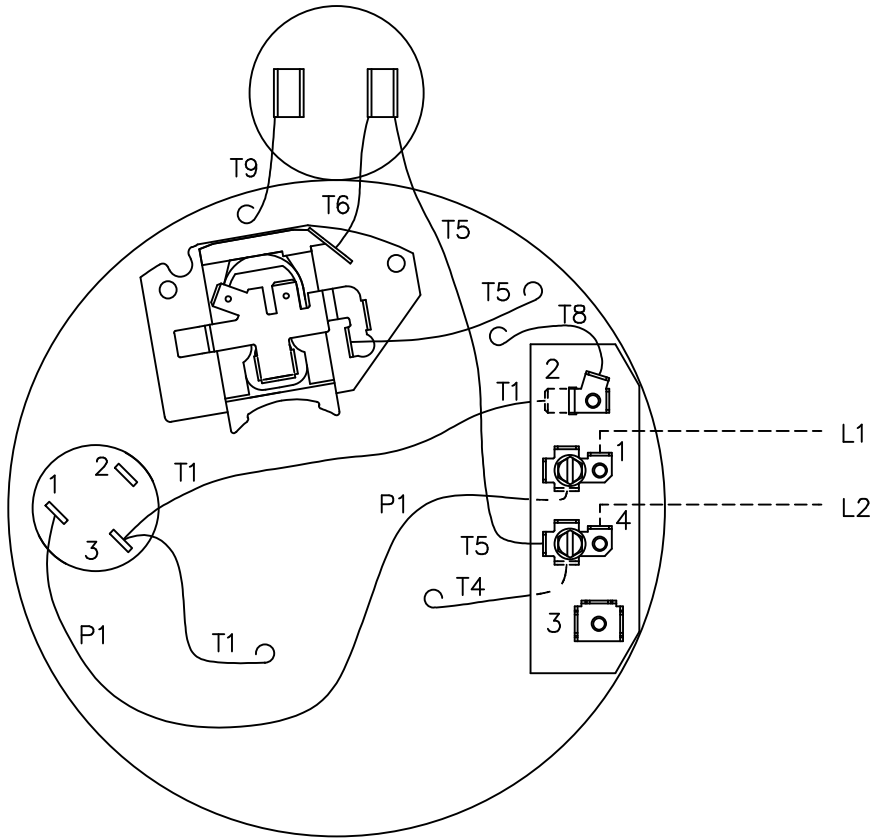
This is an uncontrolled document once printed or downloaded and is subject to change without notice. Date Created: 10/15/2018

031760

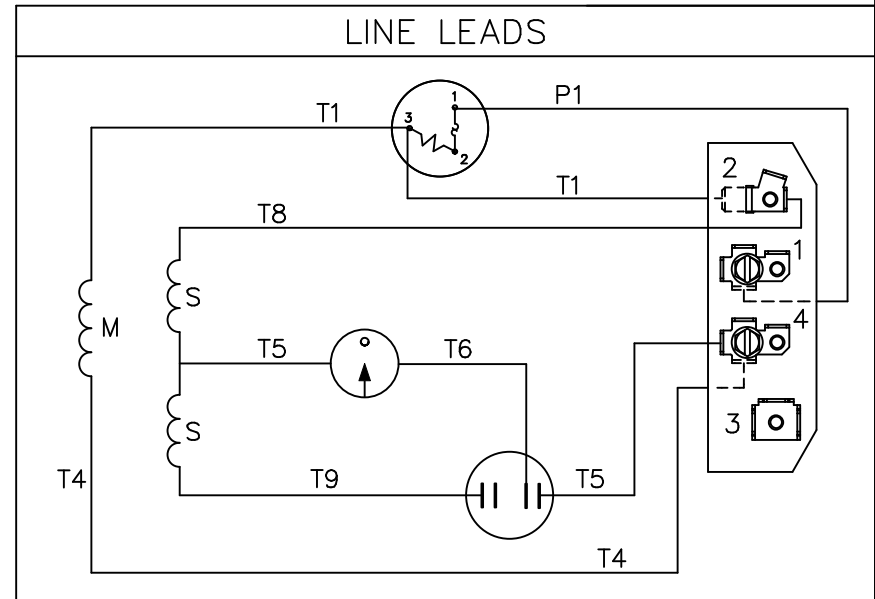


				TOLERANCES UNLESS SPECIFIED		REGAL-BELOIT <i>Motor Technologies Group</i>		DRAWN PG 2/20/04	
				DEC.	INCHES	TITLE OUTLINE - 48 FRAME RESILIENT MOUNT - DRIP PROOF		CHK	
				.X	±.1			APPD	
				.XX	±.03			SCALE 1=2	
				.XXX	±.005			REF 030761	
				.XXXX	±.0005	MAT'L 1 PHASE		FMF 101405.00	
NO.	REVISION	BY & DATE	CHK	ANG	±1/2"	FINISH STANDARD		PREV	
01	UPDATED WITH OUTER COVER, GROUND SCREW AND EFF DECALS	SL 10/20/15	JD			CAD FILE 031760		SIZE DRAWING NO.	
								A	
THIS DRAWING IN DESIGN AND DETAIL IS OUR PROPERTY AND MUST NOT BE USED EXCEPT IN CONNECTION WITH OUR WORK ALL RIGHTS OF DESIGN AND INVENTION ARE RESERVED THIS IS AN ELECTRONICALLY GENERATED DOCUMENT - DO NOT SCALE THIS PRINT				RFP				REV.	
				DIST					

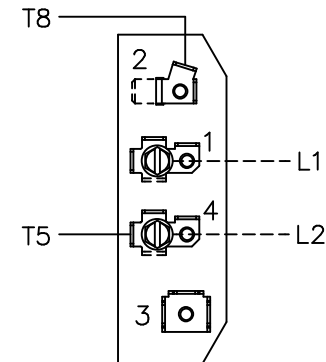
VIEW FROM OUTSIDE OF MOTOR AT SWITCH END.



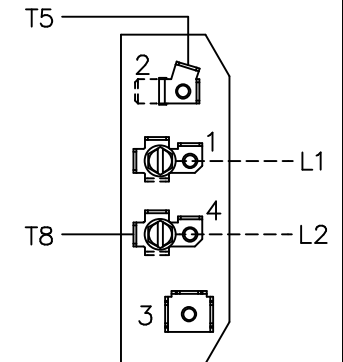
P1, T1, T4 TO GO TO
BACK SIDE OF TERMINAL BOARD



C.C.W.L.E. ROTATION



C.W.L.E. ROTATION



TOLERANCES
UNLESS SPECIFIED

DEC.	INCHES
.X	±.1
.XX	±.01
.XXX	±.005
.XXXX	±.0005
ANG	±1/2°



ELECTRIC MOTORS
GEARMOTORS
AND DRIVES

DRAWN	PG 2/23/04
CHK	
APPD	
SCALE	1=1
REF	005326-01
FMF	101405.00
PREV	

TITLE	EXTERNAL WIRING DIAGRAM TYPE "K" W/PROTECTOR
MAT'L.	SINGLE VOLTAGE - DUAL ROTATION
FINISH	

NO.	REVISION	BY & DATE	CHK

RFP	CAD FILE	00532602	SIZE	DRAWING NO.	REV.
DIST			A	005326-02	

THIS DRAWING IN DESIGN AND DETAIL IS OUR PROPERTY AND MUST NOT BE USED EXCEPT IN CONNECTION WITH OUR WORK ALL RIGHTS OF DESIGN AND INVENTION ARE RESERVED THIS IS AN ELECTRONICALLY GENERATED DOCUMENT - DO NOT SCALE THIS PRINT

ERROR: undefined
OFFENDING COMMAND: de

STACK :

```
{/@FL --where-- --not-- {--pop-- --end-- --end-- } {--pop-- } --ifelse-- }  
/suspend  
-dictionary-  
/pscript_WinNT_Compat  
-dictionary-
```

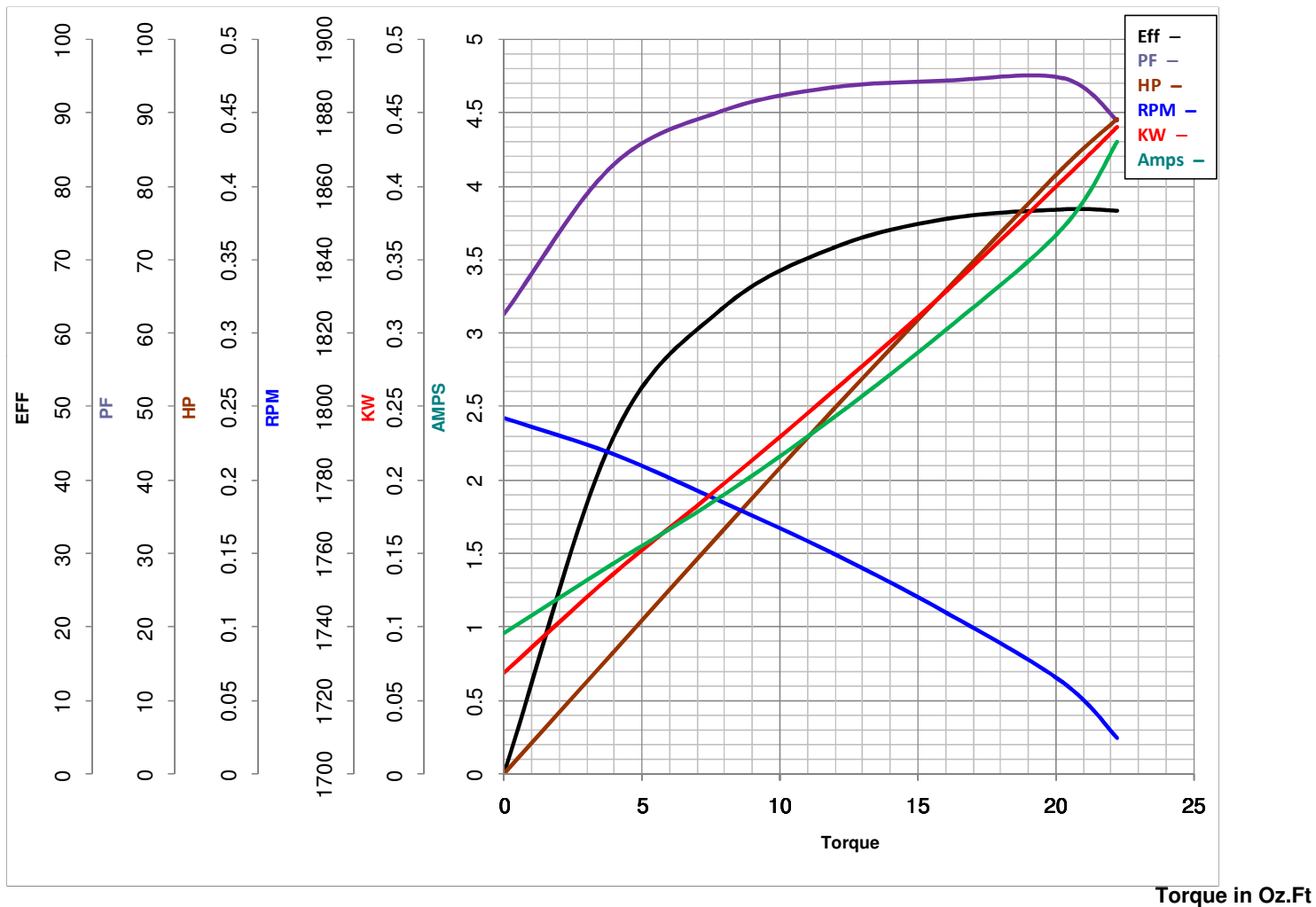


LEESON ELECTRIC CORPORATION
TYPICAL PERFORMANCE CURVE for AC MOTOR

Model No 101405.00

Catalog No 101405.00

Curve at 115 Volts HP 0.33 PHASE 1
60 HZ
0.33 HP VOLTS 115
 HZ 60 RPM 1725



FL TORQUE	<u>16.04</u> Oz.Ft	FL AMPS	<u>3.2</u>
BD TORQUE	<u>37.3</u> Oz.Ft	PU TORQUE	<u>17.4</u> Oz.Ft
LR TORQUE	<u>21.7</u> Oz.Ft	LR AMPS	<u>27.1</u>
WINDING	BE48470-1	Date	4/19/2018