

PRODUCT INFORMATION PACKET



Model No: A4P17NZ24F

Catalog No: 101341.00

1/4HP..1625RPM.48.TENV.115/230V.1PH.60HZ.AIROVER.AUTOMATIC.40C.1.0SF.ROUND-EXTENDED
STUDS.AG - HATCHERY.A4P17NZ24F

Hatchery



Regal and Leeson are trademarks of Regal Beloit Corporation or one of its affiliated companies.

©2018 Regal Beloit Corporation, All Rights Reserved. MC017097E





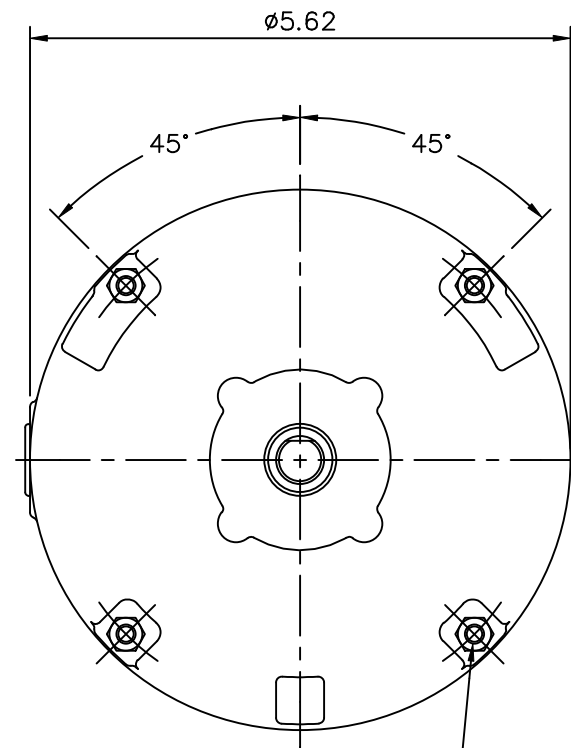
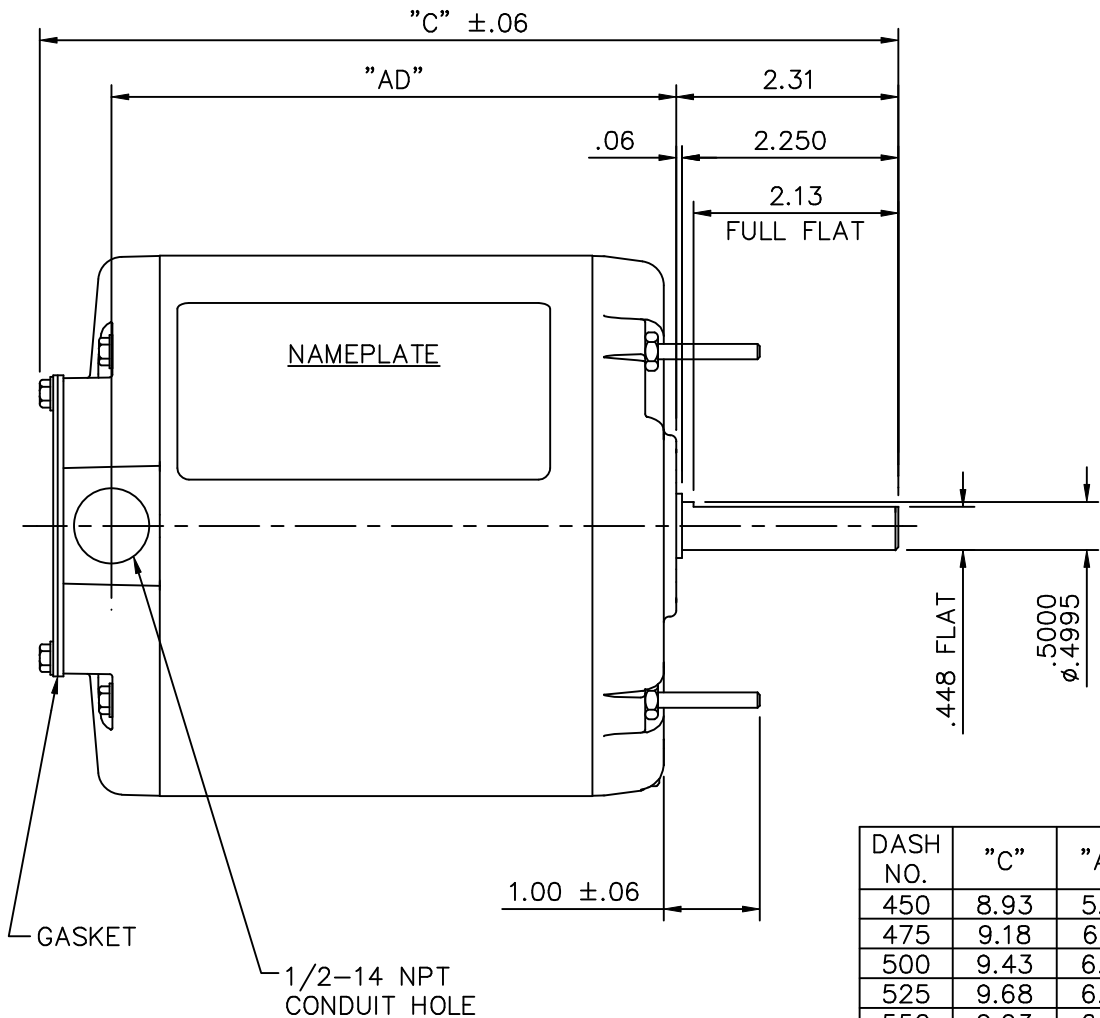
Nameplate Specifications

Output HP	0.25 Hp	Output KW	0.19 kW
Frequency	60 Hz	Voltage	115/230 V
Current	2.8/1.4 A	Speed	1625 rpm
Service Factor	1	Phase	1
Efficiency	70 %	Duty	Continuous
Insulation Class	B	Design Code	NO DESIGN CODE
KVA Code	D	Frame	48Y
Enclosure	Totally Enclosed Air Over	Overload Protector	Automatic
Ambient Temperature	40 °C	Drive End Bearing Size	6203
Opp Drive End Bearing Size	6203	UL	Recognized
CSA	Y	CE	N
IP Code	43		

Technical Specifications


Electrical Type	Permanent Split Capacitor	Starting Method	Across The Line
Poles	4	Rotation	Selective Counterclockwise
Mounting	Round	Motor Orientation	HORIZONTAL
Drive End Bearing	BALL	Opp Drive End Bearing	BALL
Frame Material	Rolled Steel	Shaft Type	NEMA 48
Overall Length	8.93 in	Frame Length	4.50 in
Shaft Diameter	0.500 in	Shaft Extension	2.13 in
Assembly/Box Mounting	F1 ONLY		
Outline Drawing	031708-450	Connection Diagram	005109.16

This is an uncontrolled document once printed or downloaded and is subject to change without notice. Date Created: 10/15/2018

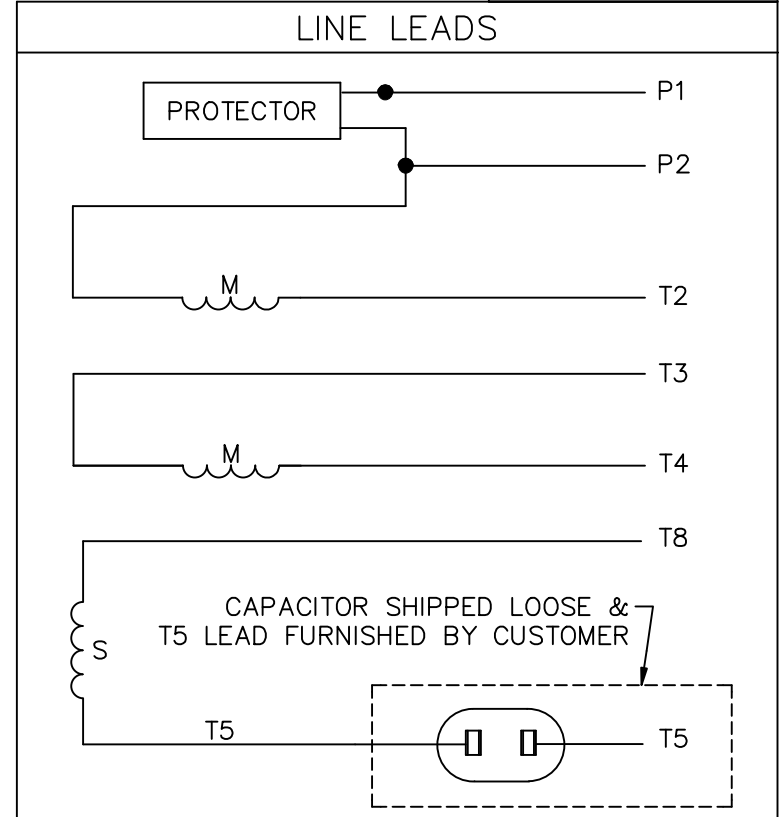
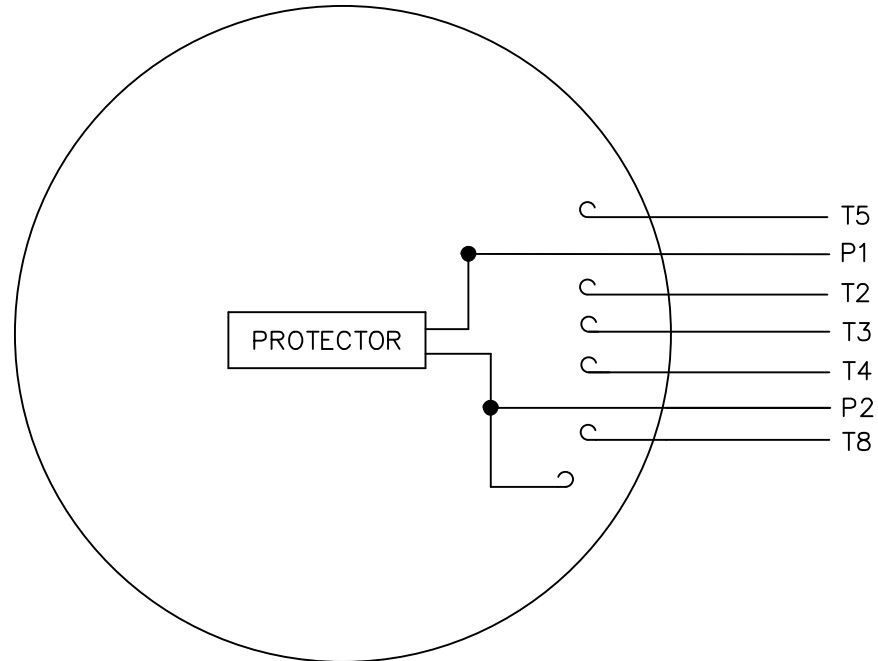


10-32 UNF 2A THRU BOLTS
(4) REQ'D. ON A Ø5.125 B.C.


DASH NO.	"C"	"AD"
450	8.93	5.87
475	9.18	6.12
500	9.43	6.37
525	9.68	6.62
550	9.93	6.87
575	10.18	7.12
600	10.43	7.37
625	10.68	7.62
650	10.93	7.87
675	11.18	8.12

				TOLERANCES UNLESS SPECIFIED		 ELECTRIC MOTORS GEARMOTORS AND DRIVES	DRAWN PG 7/24/02		
				DEC.	INCHES		CHK		
				.X	±.1		APPD		
				.XX	±.03		SCALE 1=2		
				.XXX	±.005		REF 030642		
				.XXXX	±.0005	MAT'L.	FMF 101341.00		
NO.	REVISION	BY & DATE	CHK	ANG	±1/2"	FINISH	PREV		
THIS DRAWING IN DESIGN AND DETAIL IS OUR PROPERTY AND MUST NOT BE USED EXCEPT IN CONNECTION WITH OUR WORK ALL RIGHTS OF DESIGN AND INVENTION ARE RESERVED THIS IS AN ELECTRONICALLY GENERATED DOCUMENT - DO NOT SCALE THIS PRINT				RFP		CAD FILE 031708	SIZE A	DRAWING NO. 031708	REV.
				DIST					

VIEW FROM OUTSIDE OF MOTOR AT SWITCH END.



	ROTATION FACING LEAD END	L1	L2	JOIN	INSULATE SEPARATELY
HIGH VOLT	C.C.W.	P1	T4 T5	T2,T3 T8	P2
	C.W.	P1	T4 T8	T2,T3 T5	P2
LOW VOLT	C.C.W.	P1	T2,T4 T5	P2,T3 T8	--
	C.W.	P1	T2,T4 T8	P2,T3 T5	--

		TOLERANCES UNLESS SPECIFIED		 ELECTRIC MOTORS GEARMOTORS AND DRIVES		DRAWN PG 7/25/02	
		DEC.	INCHES			CHK	
		.X	±.1	TITLE		SCALE 1=1	
02	DECAL WAS 080439 ISAAC 10-3389	GWS 8/4/10	.XXX	±.005	EXTERNAL WIRING DIAGRAM TYPE "P" W/PROTECTOR		REF 005109-06
01	UPDATED CAPACITOR NOTE PER CN #03-96	KMM 3/21/03	PG .XXXX	±.0005	MAT'L. DECAL - 92381		FMF 101341.00
NO.	REVISION	BY & DATE	CHK	ANG ±1/2'	FINISH		PREV
THIS DRAWING IN DESIGN AND DETAIL IS OUR PROPERTY AND MUST NOT BE USED EXCEPT IN CONNECTION WITH OUR WORK ALL RIGHTS OF DESIGN AND INVENTION ARE RESERVED THIS IS AN ELECTRONICALLY GENERATED DOCUMENT - DO NOT SCALE THIS PRINT			RFP	CAD FILE 00510916		SIZE A	DRAWING NO. 005109-16
			DIST				REV. 02

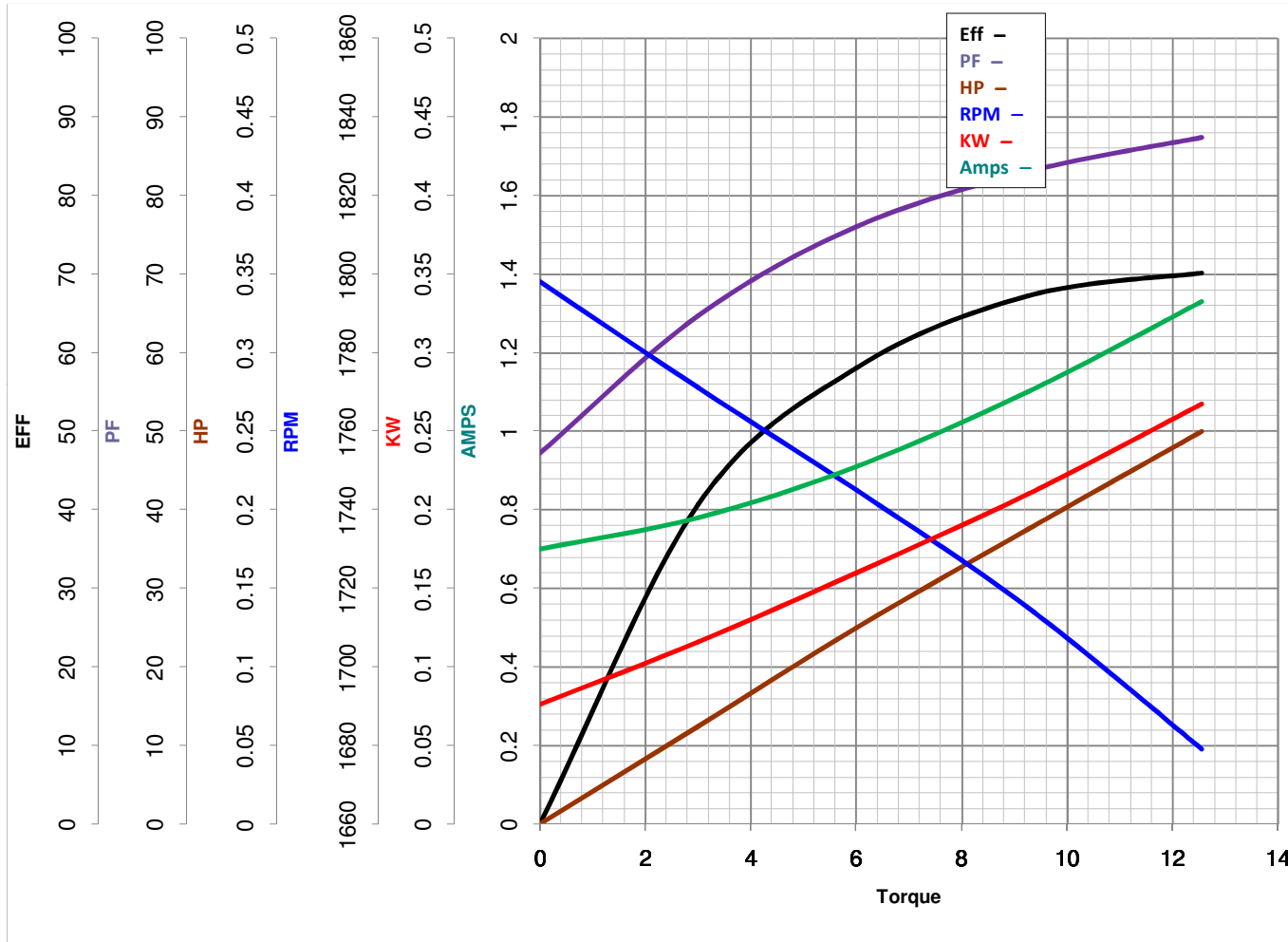


LEESON ELECTRIC CORPORATION
 TYPICAL PERFORMANCE CURVE for AC MOTOR

Model No 101341.00

Catalog No 101341.00

Curve at 230 Volts HP 0.26 PHASE 1
60 HZ
0.25 HP VOLTS 115/230
 HZ 60 RPM 1625



Torque in Oz.Ft

FL TORQUE 12.56 Oz.Ft
 BD TORQUE 27.0 Oz.Ft
 LR TORQUE 8 Oz.Ft

FL AMPS 2.8/1.4
 PU TORQUE 7.5 Oz.Ft
 LR AMPS 5

WINDING PE484448-3

Date 4/11/2018