

PRODUCT INFORMATION PACKET



Model No: A4P17NB28E

Catalog No: 101253.00

1/3HP..1750RPM.48.TENV.115/208-230V.1PH.60HZ.AIROVER.AUTOMATIC.40C.1.0SF.RIGID.AG - FAN & BLOWER.A4P17NB28E

Agricultural



Regal and Leeson are trademarks of Regal Beloit Corporation or one of its affiliated companies.

©2018 Regal Beloit Corporation, All Rights Reserved. MC017097E





Nameplate Specifications

Output HP	0.33 Hp	Output KW	0.25 kW
Frequency	60 Hz	Voltage	115/208-230 V
Current	3.8/1.9 A	Speed	1750 rpm
Service Factor	1	Phase	1
Efficiency	68 %	Duty	Continuous
Insulation Class	B	Design Code	N
KVA Code	D	Frame	48Y
Enclosure	Totally Enclosed Air Over	Overload Protector	Automatic
Ambient Temperature	40 °C	Drive End Bearing Size	6203
Opp Drive End Bearing Size	6203	UL	Recognized
CSA	Y	CE	N
IP Code	43		

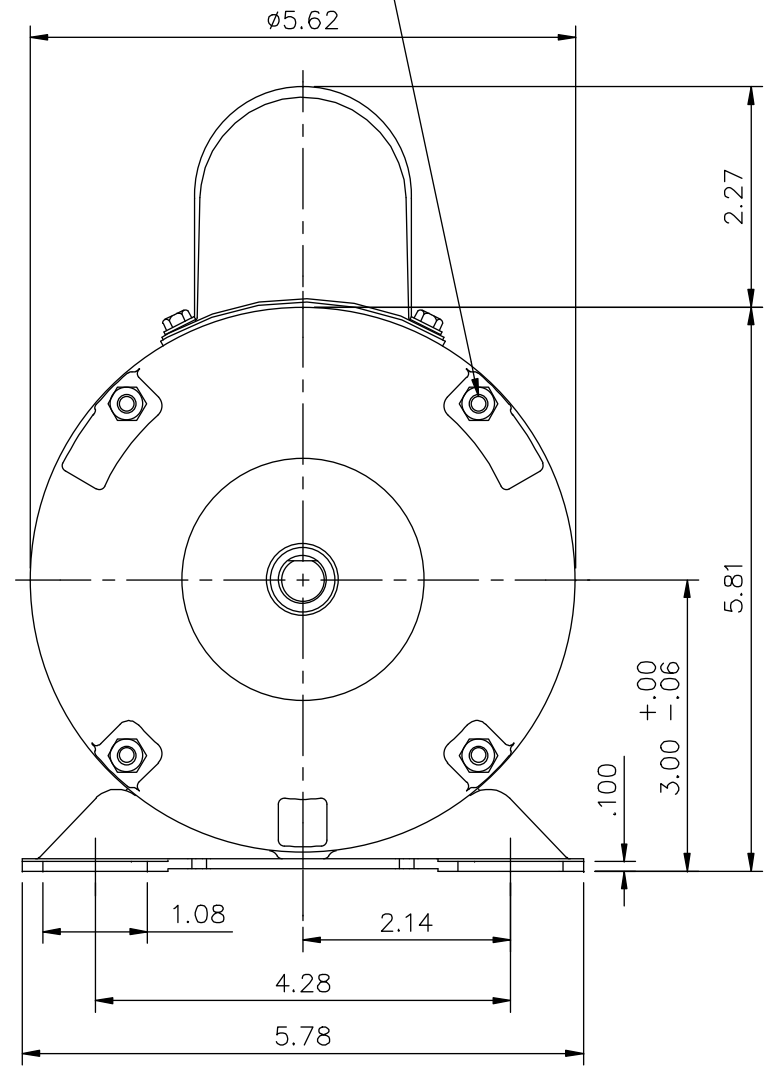
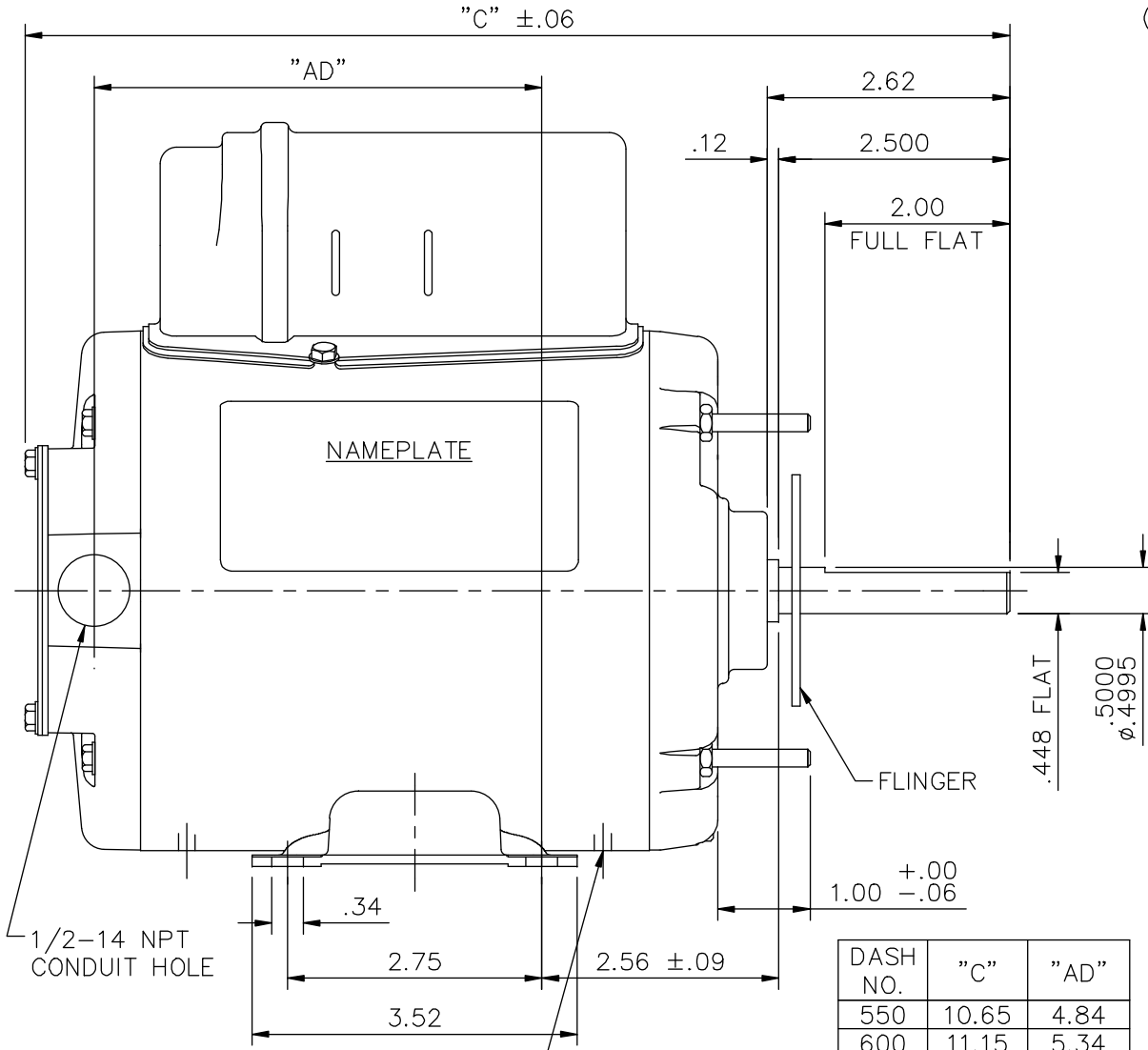
Technical Specifications

Electrical Type	Permanent Split Capacitor	Starting Method	Across The Line
Poles	4	Rotation	Selective Counterclockwise
Mounting	Rigid base	Motor Orientation	HORIZONTAL
Drive End Bearing	BALL	Opp Drive End Bearing	BALL
Frame Material	Rolled Steel	Shaft Type	Single Special Extension
Overall Length	10.65 in	Frame Length	5.50 in
Shaft Diameter	0.500 in	Shaft Extension	2.5 in
Assembly/Box Mounting	F1 ONLY		
Outline Drawing	031707-550	Connection Diagram	A-005109-15

This is an uncontrolled document once printed or downloaded and is subject to change without notice. Date Created: 10/15/2018

031707

10-32 UNF 2A THRU BOLTS
(4) REQ'D. ON A Ø5.125 B.C.



DASH NO.	"C"	"AD"
550	10.65	4.84
600	11.15	5.34
625	11.40	5.59
650	11.65	5.84
700	12.15	6.34

GASKETS THROUGHOUT



ELECTRIC MOTORS
GEARMOTORS
AND DRIVES

DRAWN	PG 7/24/02
CHK	
APPD	
SCALE	1=2
REF	030986
FMF	100700.00
PREV	

TITLE
OUTLINE - 48Y FRAME
RIGID MOUNT - ENCLOSED

NO.	REVISION	BY & DATE	CHK	ANG	TOLERANCES UNLESS SPECIFIED		FINISH
					DEC.	INCHES	
					.X	±.1	
					.XX	±.03	
					.XXX	±.005	
					.XXXX	±.0005	
					±1/2'		

THIS DRAWING IN DESIGN AND DETAIL IS OUR PROPERTY AND MUST NOT BE USED EXCEPT IN CONNECTION WITH OUR WORK ALL RIGHTS OF DESIGN AND INVENTION ARE RESERVED THIS IS AN ELECTRONICALLY GENERATED DOCUMENT - DO NOT SCALE THIS PRINT

RFP	CAD FILE	031707	SIZE	DRAWING NO.	REV.
DIST			A	031707	

VIEW FROM OUTSIDE OF MOTOR AT SWITCH END.



	ROTATION FACING LEAD END	L1	L2	JOIN	INSULATE SEPARATELY
HIGH VOLT	C.C.W.	P1	T4 T5	T2, T3 T8	P2
	C.W.	P1	T4 T8	T2, T3 T5	P2
LOW VOLT	C.C.W.	P1	T2, T4 T5	P2, T3 T8	--
	C.W.	P1	T2, T4 T8	P2, T3 T5	--

				TOLERANCES UNLESS SPECIFIED		ELECTRIC MOTORS GEARMOTORS AND DRIVES		DRAWN PG 3/4/02		
				DEC.	INCHES			CHK		
				.X	±.1			APPD		
				.XX	±.01			SCALE 1=1		
				.XXX	±.005			REF 005109-01		
				.XXXX	±.0005	MAT'L. DECAL - 004011		FMF 102675		
NO.	REVISION	BY & DATE	CHK	ANG	±1/2'	FINISH		PREV		
THIS DRAWING IN DESIGN AND DETAIL IS OUR PROPERTY AND MUST NOT BE USED EXCEPT IN CONNECTION WITH OUR WORK ALL RIGHTS OF DESIGN AND INVENTION ARE RESERVED THIS IS AN ELECTRONICALLY GENERATED DOCUMENT - DO NOT SCALE THIS PRINT				RFP		CAD FILE 00510915		SIZE A	DRAWING NO. 005109-15	REV.
				DIST						

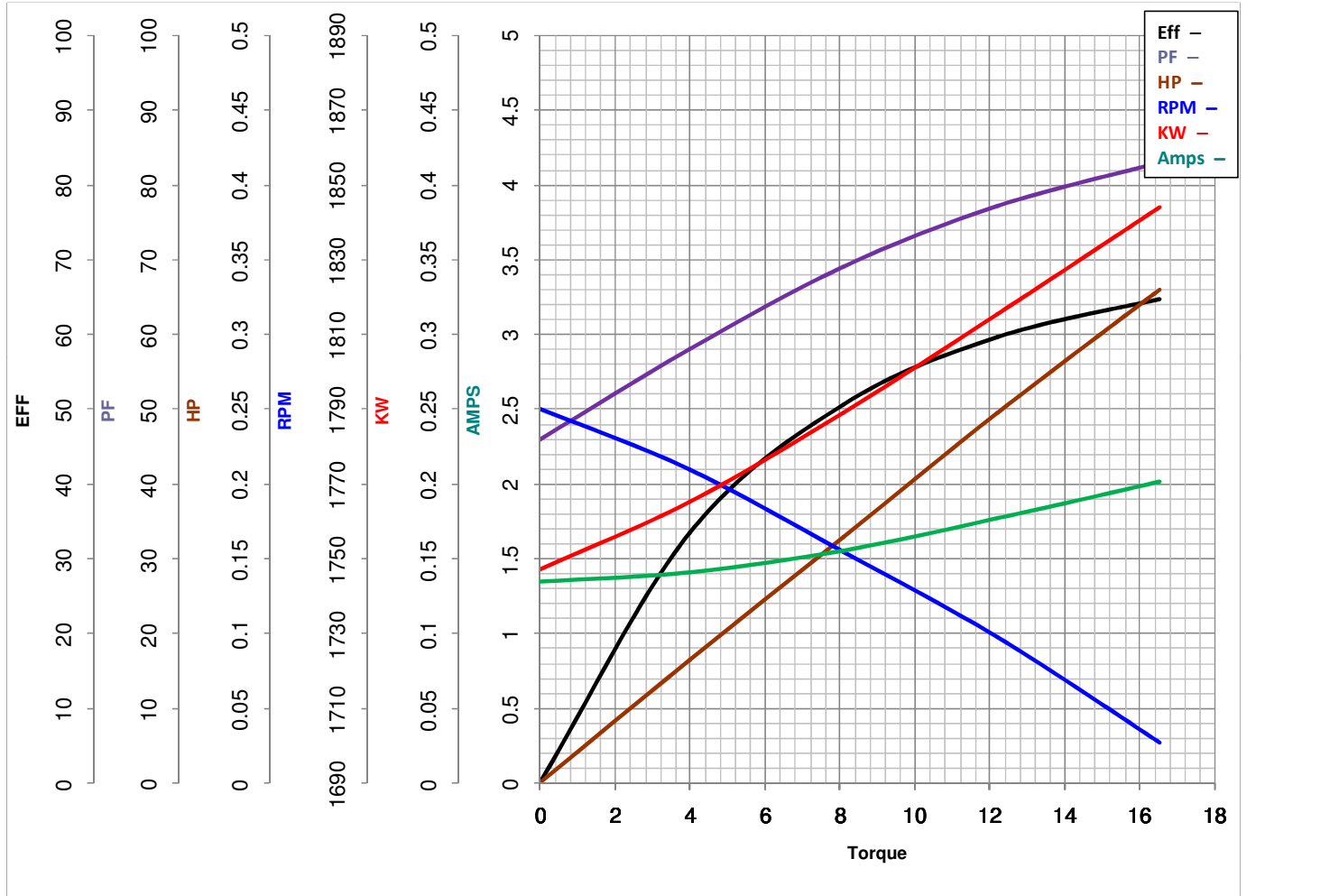


LEESON ELECTRIC CORPORATION
 TYPICAL PERFORMANCE CURVE for AC MOTOR

Model No 101253.00

Catalog No 101253.00

Curve at 230 Volts HP 0.34 PHASE 1
60 HZ
0.33 HP VOLTS 115/208-230
 HZ 60 RPM 1750



FL TORQUE	<u>16.51</u> Oz.Ft	FL AMPS	<u>3.8/1.9</u>
BD TORQUE	<u>40.5</u> Oz.Ft	PU TORQUE	<u>9.8</u> Oz.Ft
LR TORQUE	<u>10.96</u> Oz.Ft	LR AMPS	<u>7.5</u>
WINDING	PE484458-3	Date	3/13/2018