

# PRODUCT INFORMATION PACKET



Model No: A4K17NH2E

Catalog No: 101176.00

..1/2HP..1750RPM.S56Y.TENV.115/230V.1PH.60HZ.AIROVER.40C.1.0SF.RIGID-EXTENDED  
STUDS.A4K17NH2E.....AG - FAN & BLOWER.AUTOMATIC.....

Agricultural



Regal and Leeson are trademarks of Regal Beloit Corporation or one of its affiliated companies.

©2018 Regal Beloit Corporation, All Rights Reserved. MC017097E





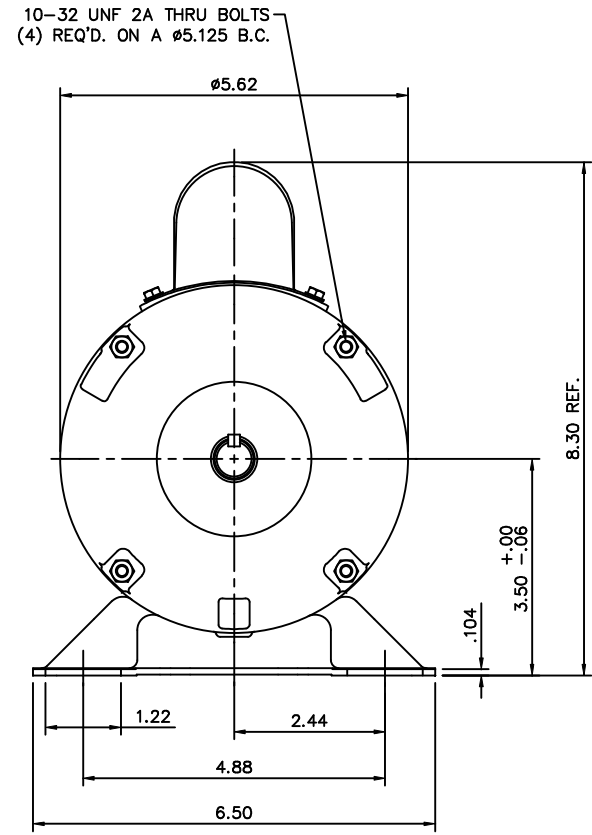
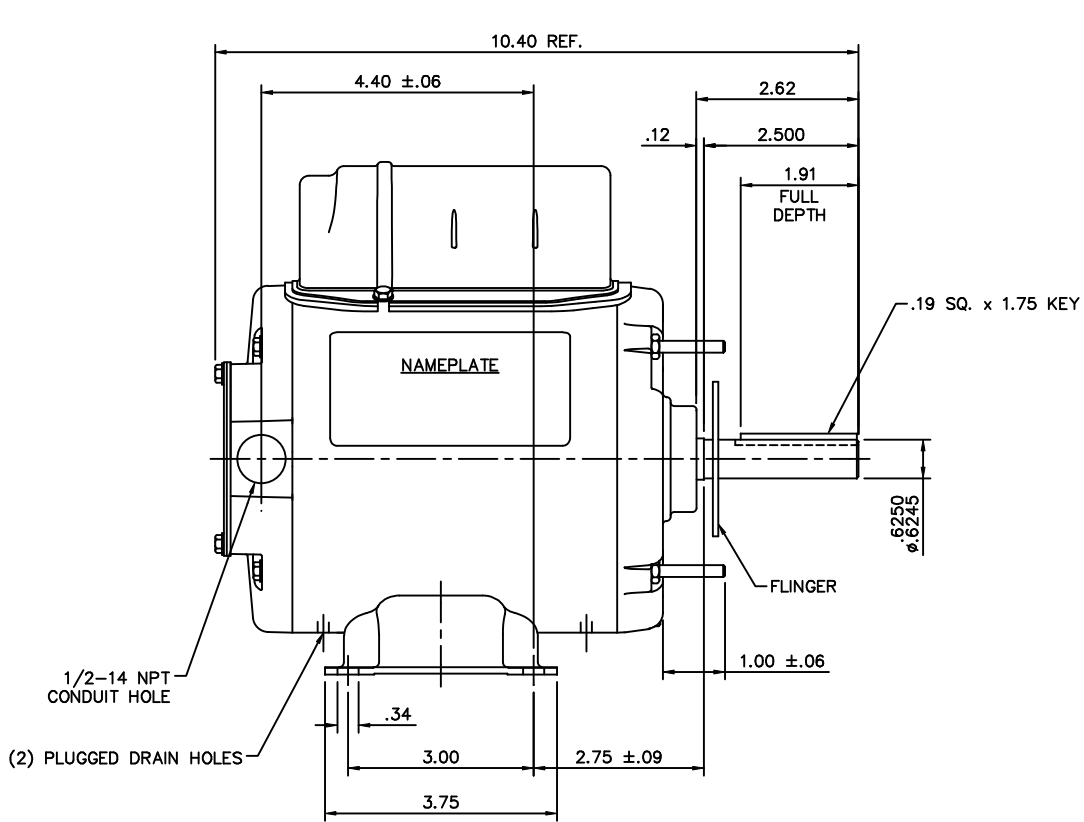
### Nameplate Specifications

Output HP	<b>0.50 Hp</b>	Output KW	<b>0.37 kW</b>
Frequency	<b>60 Hz</b>	Voltage	<b>115/230 V</b>
Current	<b>7.0/3.5 A</b>	Speed	<b>1750 rpm</b>
Service Factor	<b>1</b>	Phase	<b>1</b>
Efficiency	<b>68 %</b>	Duty	<b>Continuous</b>
Insulation Class	<b>B</b>	Design Code	<b>NO DESIGN CODE</b>
KVA Code	<b>L</b>	Frame	<b>S56Y</b>
Enclosure	<b>Totally Enclosed Non Ventilated</b>	Overload Protector	<b>Automatic</b>
Ambient Temperature	<b>40 °C</b>	Drive End Bearing Size	<b>6203</b>
Opp Drive End Bearing Size	<b>6203</b>	UL	<b>Recognized</b>
CSA	<b>Y</b>	CE	<b>N</b>
IP Code	<b>43</b>		


### Technical Specifications

Electrical Type	<b>Capacitor Start Capacitor Run</b>	Starting Method	<b>Across The Line</b>
Poles	<b>4</b>	Rotation	<b>Selective Counterclockwise</b>
Mounting	<b>Rigid - Extended Studs</b>	Motor Orientation	<b>HORIZONTAL</b>
Drive End Bearing	<b>BALL</b>	Opp Drive End Bearing	<b>BALL</b>
Frame Material	<b>Rolled Steel</b>	Shaft Type	<b>Single Special Extension</b>
Overall Length	<b>10.40 in</b>	Frame Length	<b>5.25 in</b>
Shaft Diameter	<b>0.625 in</b>	Shaft Extension	<b>2.5 in</b>
Assembly/Box Mounting	<b>F1 ONLY</b>		
Outline Drawing	<b>OL101176</b>	Connection Diagram	<b>005273.02</b>

**This is an uncontrolled document once printed or downloaded and is subject to change without notice. Date Created: 10/15/2018**



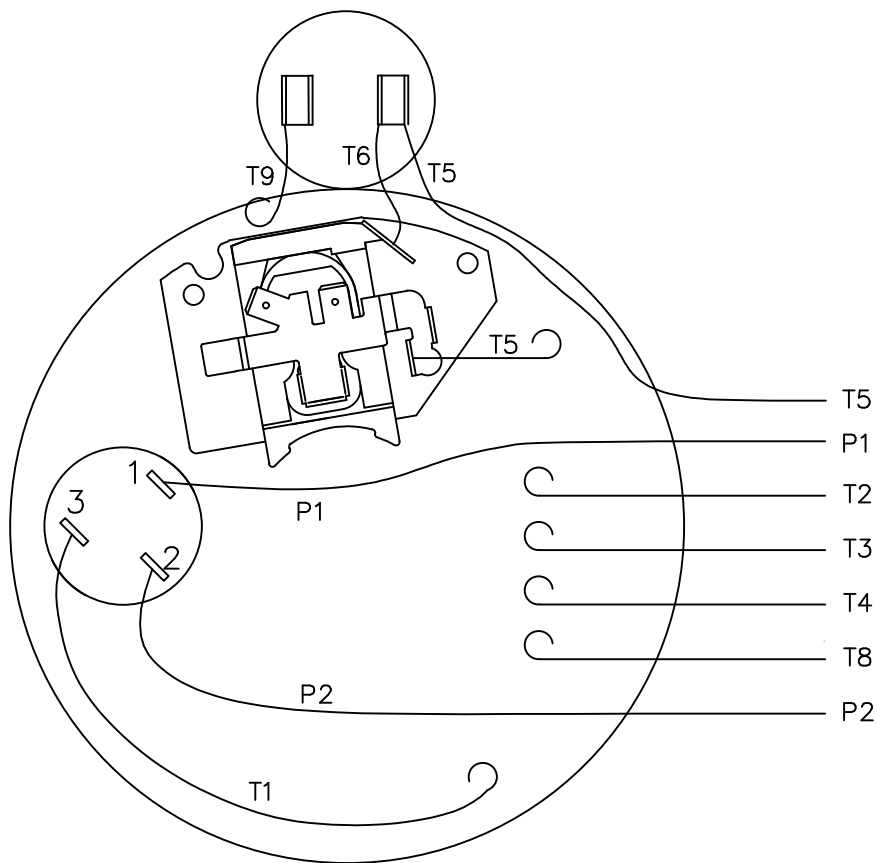
GASKETS THROUGHOUT

		TOLERANCES UNLESS SPECIFIED			ELECTRIC MOTORS GEARMOTORS AND DRIVES	DRAWN PG 8/25/04
		DEC.	INCHES			CHK
		.X	±.1			APPD
		.XX	±.03			SCALE 1=2
		.XXX	±.005			REF 030515
		.XXXX	±.0005	MAT'L 1 PHASE	FMF 101176.00	
NO.	REVISION	BY & DATE	CHK	ANG ±1/2"	FINISH STANDARD	PREV
THIS DRAWING IN DESIGN AND DETAIL IS OUR PROPERTY AND MUST NOT BE USED EXCEPT IN CONNECTION WITH OUR WORK ALL RIGHTS OF DESIGN AND INVENTION ARE RESERVED THIS IS AN ELECTRONICALLY GENERATED DOCUMENT - DO NOT SCALE THIS PRINT				RFP	CAD FILE OL101176	SIZE B
				DIST		DRAWING NO. OL101176
						REV.

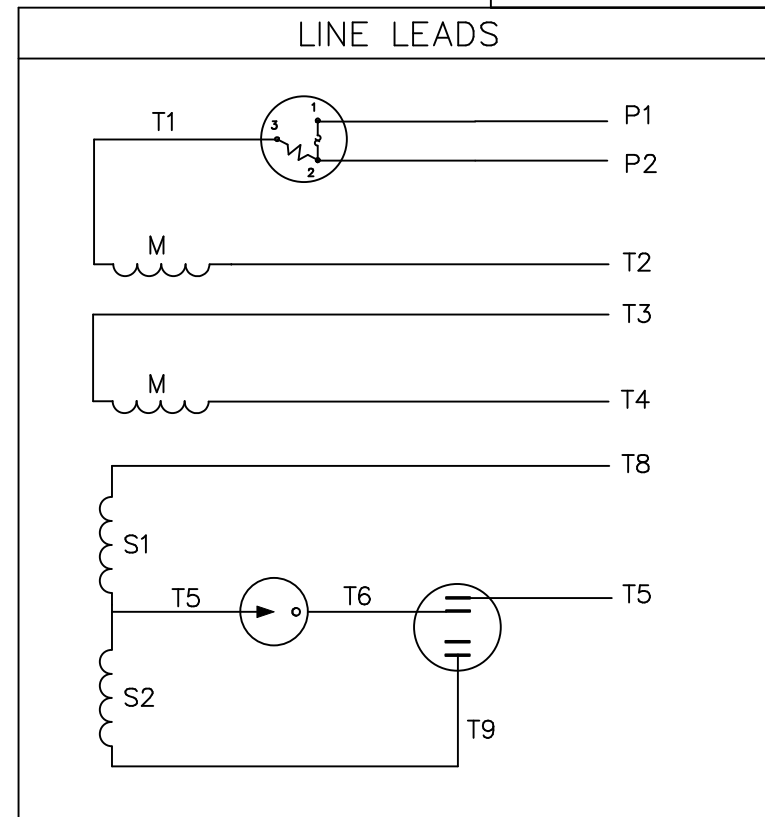
ERROR: syntaxerror  
OFFENDING COMMAND: --nostringval--

STACK:


39 /dotlessi  
13 /caron  
12 /ogonek  
11 /hungarumlaut  
10 /cedilla  
9 /ring  
8 /dieresis  
7 /dotaccent  
6 /breve  
5 /macron  
4 /tilde  
3 /circumflex  
2 /acute  
1 /grave  
0 -mark-  
/ANSIVec  
-dictionary-  
/Pscript\_WinNT\_Comp  
-dictionary-



VIEW FROM OUTSIDE OF MOTOR AT SWITCH END



	ROTATION FACING LEAD END	L1	L2	JOIN	INSULATE SEPARATE
HIGH VOLT	C.C.W.	P1	T4, T5	T2, T3 T8	P2
	C.W.	P1	T4, T8	T2, T3 T5	P2
LOW VOLT	C.C.W.	P1	T2, T4 T5	P2 T3, T8	---
	C.W.	P1	T2, T4 T8	P2 T3, T5	---

		TOLERANCES UNLESS SPECIFIED				DRAWN KMM 06/12/02	
		DEC.	INCHES			CHK	APPD
		.X	±.1	TITLE EXTERNAL WIRING DIAGRAM TYPE "K" W/PROTECTOR MAT'L. DUAL VOLTAGE - DUAL ROTATION FINISH SPLIT PHASE START - CAPACITOR RUN		SCALE	5=8
		.XX	±.01			REF	PRO20007
		.XXX	±.005			FMF	102737
		.XXXX	±.0005			PREV	
NO.	REVISION	BY & DATE	CHK	ANG	±1/2'	DRAWING NO.	
			RFP			A	005273-02
			DIST				REV.

THIS DRAWING IN DESIGN AND DETAIL IS OUR PROPERTY AND MUST NOT BE USED EXCEPT IN CONNECTION WITH OUR WORK ALL RIGHTS OF DESIGN AND INVENTION ARE RESERVED THIS IS AN ELECTRONICALLY GENERATED DOCUMENT - DO NOT SCALE THIS PRINT



**LEESON ELECTRIC CORPORATION**  
 TYPICAL PERFORMANCE CURVE for AC MOTOR

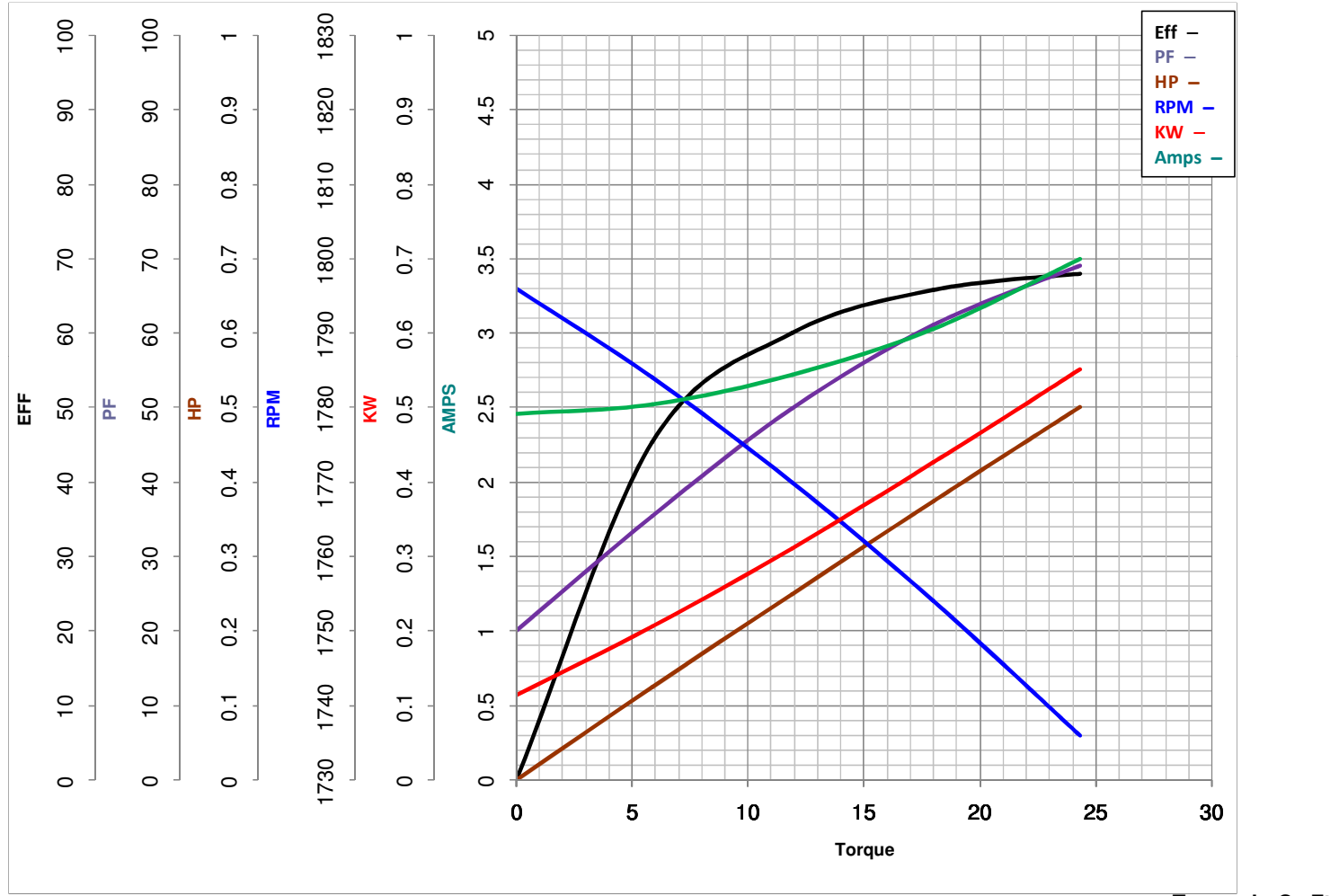
Curve at 230 Volts      HP 0.50      PHASE 1  
60 HZ  
0.5 HP      VOLTS 115/230

Model No 101176.00

Catalog No 101176.00

HZ 60

RPM 1750



<b>FL TORQUE</b>	<u>24.3</u> Oz.Ft	<b>FL AMPS</b>	<u>7/3.5</u>
<b>BD TORQUE</b>	<u>50.8</u> Oz.Ft	<b>PU TORQUE</b>	<u>26.1</u> Oz.Ft
<b>LR TORQUE</b>	<u>27.6</u> Oz.Ft	<b>LR AMPS</b>	<u>20.2</u>
<b>WINDING</b>	BE48473-3	<b>Date</b>	3/13/2018