

PRODUCT INFORMATION PACKET



Model No: P4C17FZ11N
Catalog No: 101159.00
1/3HP..1725RPM.48.TEFC.115/230V.1PH.60HZ.CONT.MANUAL.40C.1.0SF.SPECIAL.AG - FEED-
AUGER.P4C17FZ11N
Auger Drive



Regal and Leeson are trademarks of Regal Beloit Corporation or one of its affiliated companies.

©2018 Regal Beloit Corporation, All Rights Reserved. MC017097E





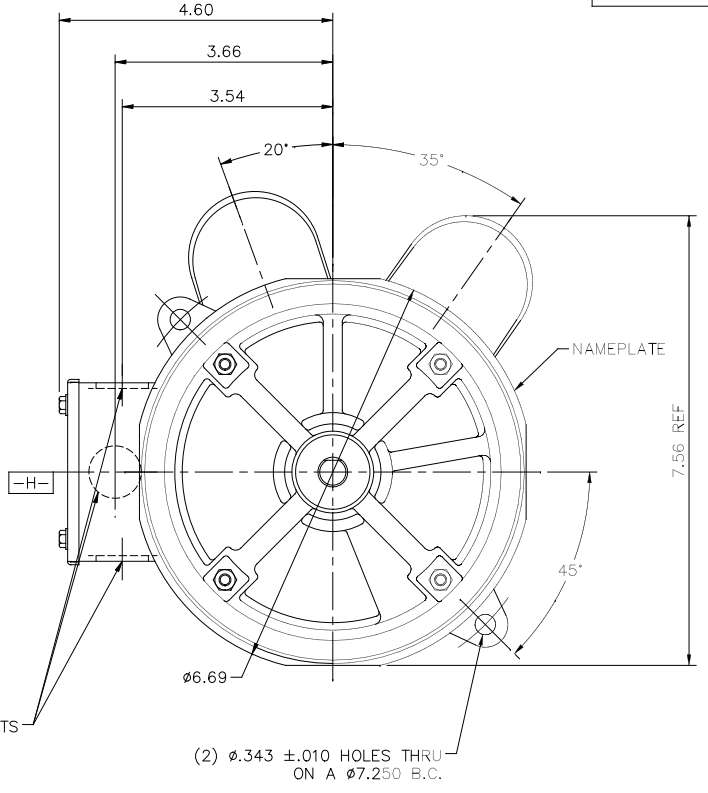
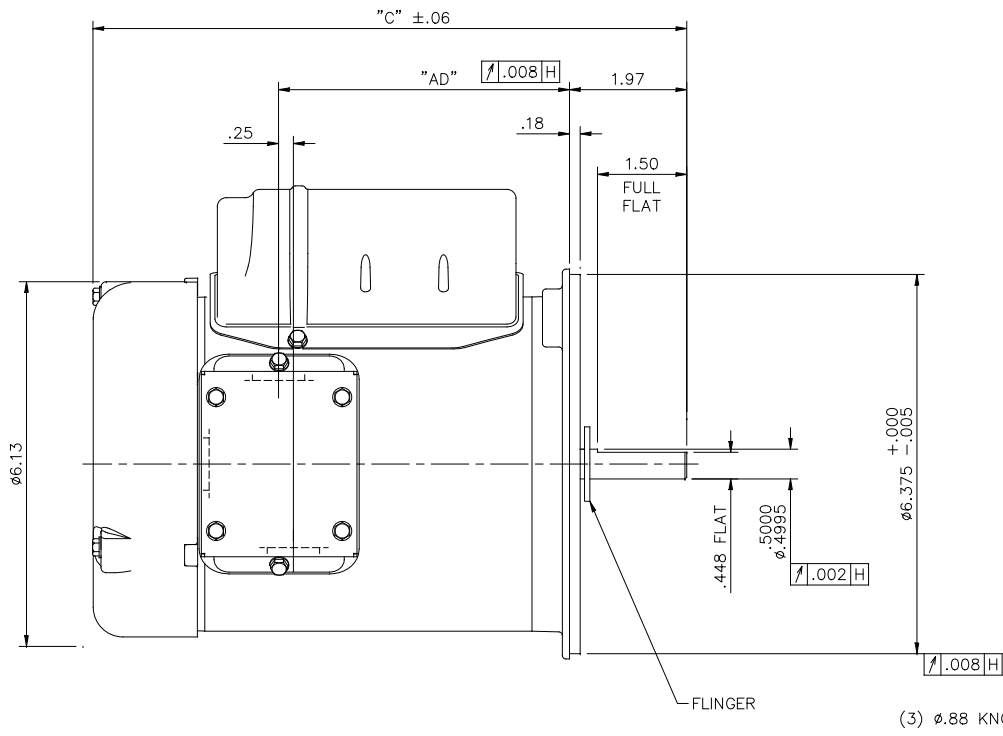
Nameplate Specifications

| | | | |
|----------------------------|-----------------------------|------------------------|----------------|
| Output HP | 0.33 Hp | Output KW | 0.25 kW |
| Frequency | 60 Hz | Voltage | 115/230 V |
| Current | 6.2/3.1 A | Speed | 1725 rpm |
| Service Factor | 1 | Phase | 1 |
| Efficiency | 61 % | Duty | Continuous |
| Insulation Class | B | Design Code | NO DESIGN CODE |
| KVA Code | M | Frame | 48Y |
| Enclosure | Totally Enclosed Fan Cooled | Overload Protector | Manual |
| Ambient Temperature | 40 °C | Drive End Bearing Size | 6203 |
| Opp Drive End Bearing Size | 6203 | UL | No |
| CSA | N | CE | N |
| IP Code | 43 | | |

Technical Specifications

| | | | |
|-----------------------|-------------------------------|-----------------------|----------------------------|
| Electrical Type | Capacitor Start Induction Run | Starting Method | Across The Line |
| Poles | 4 | Rotation | Selective Counterclockwise |
| Mounting | Round | Motor Orientation | HORIZONTAL |
| Drive End Bearing | BALL | Opp Drive End Bearing | BALL |
| Frame Material | Rolled Steel | Shaft Type | NEMA 48 |
| Overall Length | 10.47 in | Frame Length | 6.00 in |
| Shaft Diameter | 0.500 in | Shaft Extension | 1.5 in |
| Assembly/Box Mounting | F1 ONLY | | |
| Outline Drawing | 031648-600 | Connection Diagram | 005258.04 |

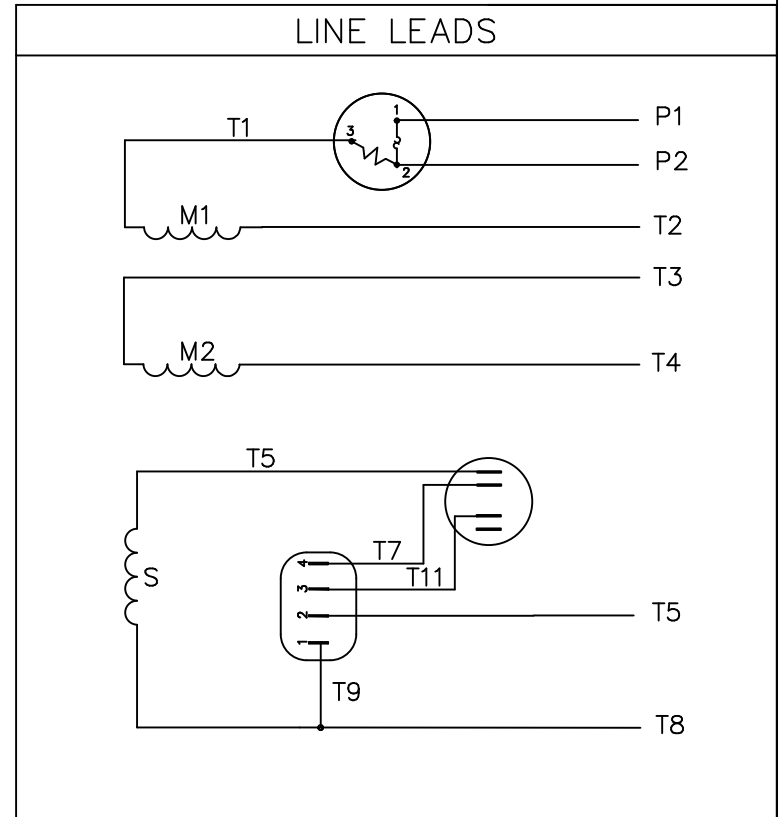
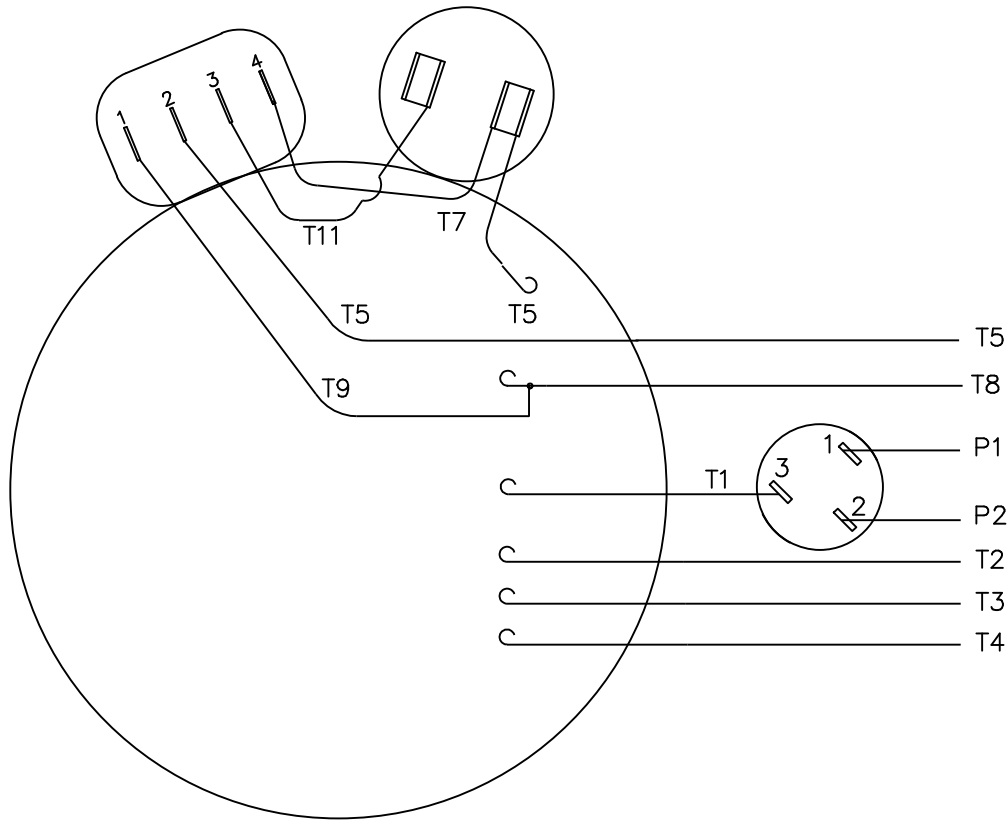
This is an uncontrolled document once printed or downloaded and is subject to change without notice. Date Created: 10/15/2018



| DASH NO. | "C" | "AD" |
|----------|-------|------|
| 550 | 9.97 | 4.89 |
| 575 | 10.22 | 5.14 |
| 600 | 10.47 | 5.39 |
| 625 | 10.72 | 5.64 |
| 650 | 10.97 | 5.89 |
| 675 | 11.22 | 6.14 |
| 700 | 11.47 | 6.39 |
| 725 | 11.72 | 6.64 |
| 750 | 11.97 | 6.89 |

| NO. | REVISION | BY & DATE | CHK | ANG | TOLERANCES UNLESS SPECIFIED | FINISH | PREV |
|----------------------------------------------------------------------------------------------------------------------------------------------------------------------------------------------------------------------------------|----------------------------------------------|--------------|-----|-------|-----------------------------|---------------------------------------------------------|-----------------------------------------------------------------------------------|
| 07 | BIG CAPACITOR LOCATION WAS AT 40° | PST 06/18/15 | SM | | | | |
| 06 | ADDED TOLERANCE TO .343 CORED HOLES | KMM 5/7/03 | | DEC. | INCHES | | |
| 05 | ROTATED CAPACITORS 5° FOR CON. BOX CLEARANCE | KMM 2/6/03 | | .X | ±.1 | | |
| 04 | REVISED CALLOUT FOR GD&T | KMM 6/6/02 | | .XX | ±.03 | | |
| 03 | REVERSED CAPACITOR LOCATIONS | PG 10/31/01 | | .XXX | ±.005 | | |
| K | ADDED LARGE CAP. CASE FOR NEW SWITCH | EL 3/31/2017 | | .XXXX | ±.0005 | | |
| THIS DRAWING IN DESIGN AND DETAIL IS OUR PROPERTY AND MUST NOT BE USED EXCEPT IN CONNECTION WITH OUR WORK ALL RIGHTS OF DESIGN AND INVENTION ARE RESERVED THIS IS AN ELECTRONICALLY GENERATED DOCUMENT - DO NOT SCALE THIS PRINT | | | | | | GASKETS THROUGHOUT REGAL™ Regal Beloit America, Inc. | |
| CAD FILE 031648 | | | | | | SIZE B | DRAWING NO. 031648 |
| DIST | | | | | | REV. K | DRAWN PG 9/13/01 CHK APPD SCALE 1=2 REF 030720 FIMF 101120 PREV |

VIEW FROM OUTSIDE OF MOTOR AT SWITCH END.



| | ROTATION FACING LEAD END | L1 | L2 | JOIN | INSULATE SEPARATELY |
|--------------|--------------------------------|----|-------------|-------------|------------------------|
| HIGH VOLT | C.C.W. | P1 | T4 T5 | T2,T3 T8 | P2 |
| | C.W. | P1 | T4 T8 | T2,T3 T5 | P2 |
| LOW VOLT | C.C.W. | P1 | T2,T4 T5 | P2,T3 T8 | ---- |
| | C.W. | P1 | T2,T4 T8 | P2,T3 T5 | ---- |

| | | | | TOLERANCES UNLESS OTHERWISE SPECIFIED | | |
|----------------------------------------------------------------------------------------------------------------------------------------------------------------------------------------------------------------------------------|----------|-----------|---------|---------------------------------------|--------|-------------|
| | | | | DEC. | INCHES | METRIC |
| | | | | .X | ±.1 | ±2.5 |
| | | | | .XX | ±.01 | ±.25 |
| | | | | .XXX | ±.005 | ±.127 |
| NO. | REVISION | BY & DATE | CH'K'D. | .XXXX | ±.0005 | ±.0127 |
| THIS DRAWING IN DESIGN AND DETAIL IS OUR PROPERTY AND MUST NOT BE USED EXCEPT IN CONNECTION WITH OUR WORK ALL RIGHTS OF DESIGN AND INVENTION ARE RESERVED THIS IS AN ELECTRONICALLY GENERATED DOCUMENT - DO NOT SCALE THIS PRINT | | | | FRACTIONS | ±1/64 | REF. PAGE 1 |
| | | | | ANGLES | ±1/2' | FMF 101120 |

LEESON ELECTRIC CORPORATION

| | | | |
|-------------------|--------|-------------------------------------------------|-------------------------------|
| DRAWN PG 10/16/01 | TITLE | EXTERNAL WIRING DIAGRAM TYPE "C" W/PROTECTOR | |
| APPR. | MAT'L. | DECAL - 004011 SOLID STATE SWITCH | |
| R.F.P. | SCALE | 1=1 | |
| REF. PAGE 1 | FINISH | STANDARD | REV. DRAWING NO. 005258-04 |

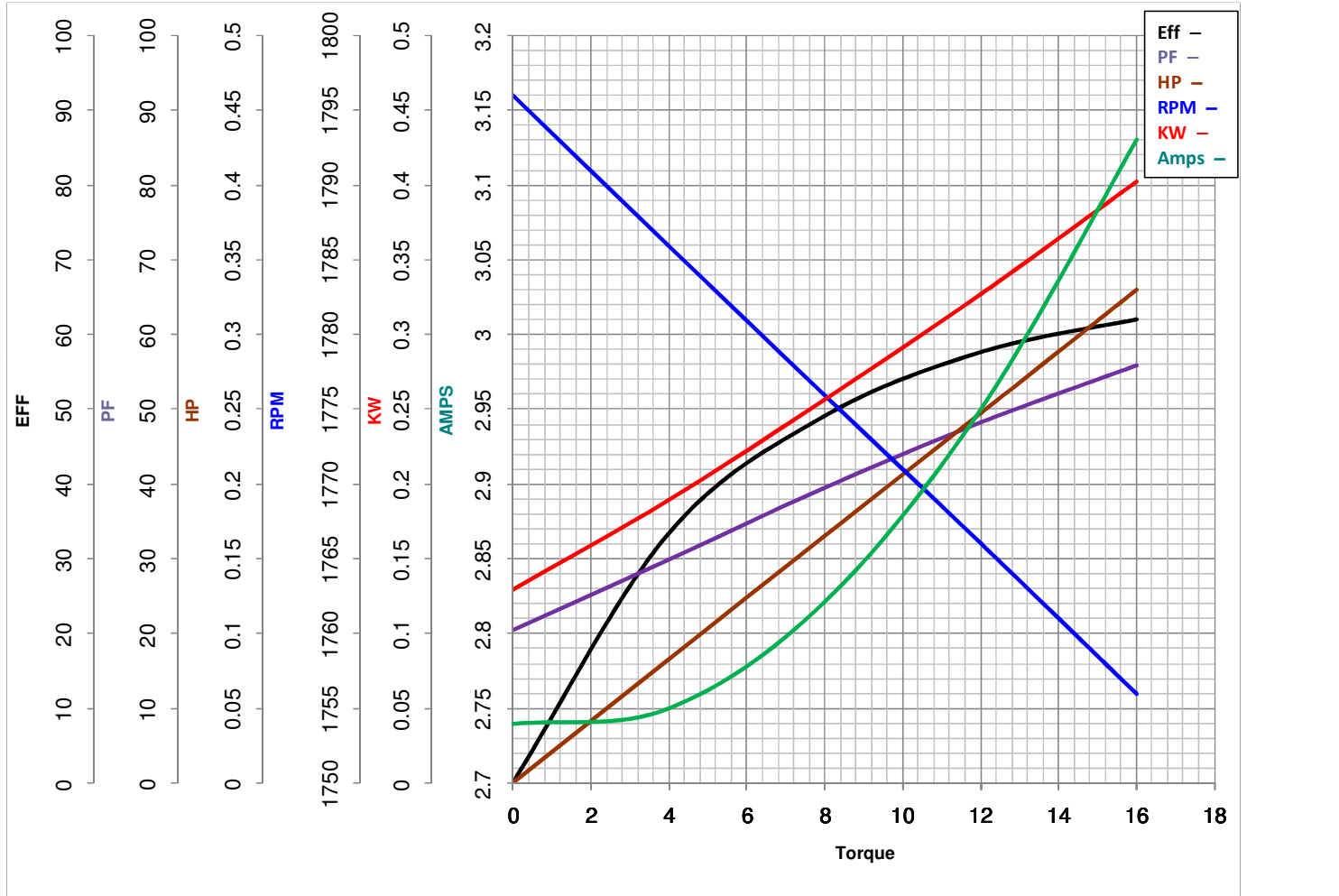


LEESON ELECTRIC CORPORATION
 TYPICAL PERFORMANCE CURVE for AC MOTOR

Model No 101159.00

Catalog No 101159.00

Curve at 230 Volts HP 0.34 PHASE 1
60 HZ
0.33 HP VOLTS 115/230
 HZ 60 RPM 1725



| | | | |
|------------------|--------------------|------------------|-------------------|
| FL TORQUE | <u>15.98</u> Oz.Ft | FL AMPS | <u>6.2/3.1</u> |
| BD TORQUE | <u>48.8</u> Oz.Ft | PU TORQUE | <u>39.1</u> Oz.Ft |
| LR TORQUE | <u>67.6</u> Oz.Ft | LR AMPS | <u>15.7</u> |
| WINDING | CE484242-4 | Date | 3/22/2018 |