

PRODUCT INFORMATION PACKET



Model No: P4C17FZ7M

Catalog No: 101120.00

1/2HP..1725RPM.48.TEFC.115/208-230V.1PH.60HZ.CONT.MANUAL.40C.1.15SF.ROUND.AG - FEED-AUGER.P4C17FZ7M

Auger Drive



Regal and Leeson are trademarks of Regal Beloit Corporation or one of its affiliated companies.

©2018 Regal Beloit Corporation, All Rights Reserved. MC017097E





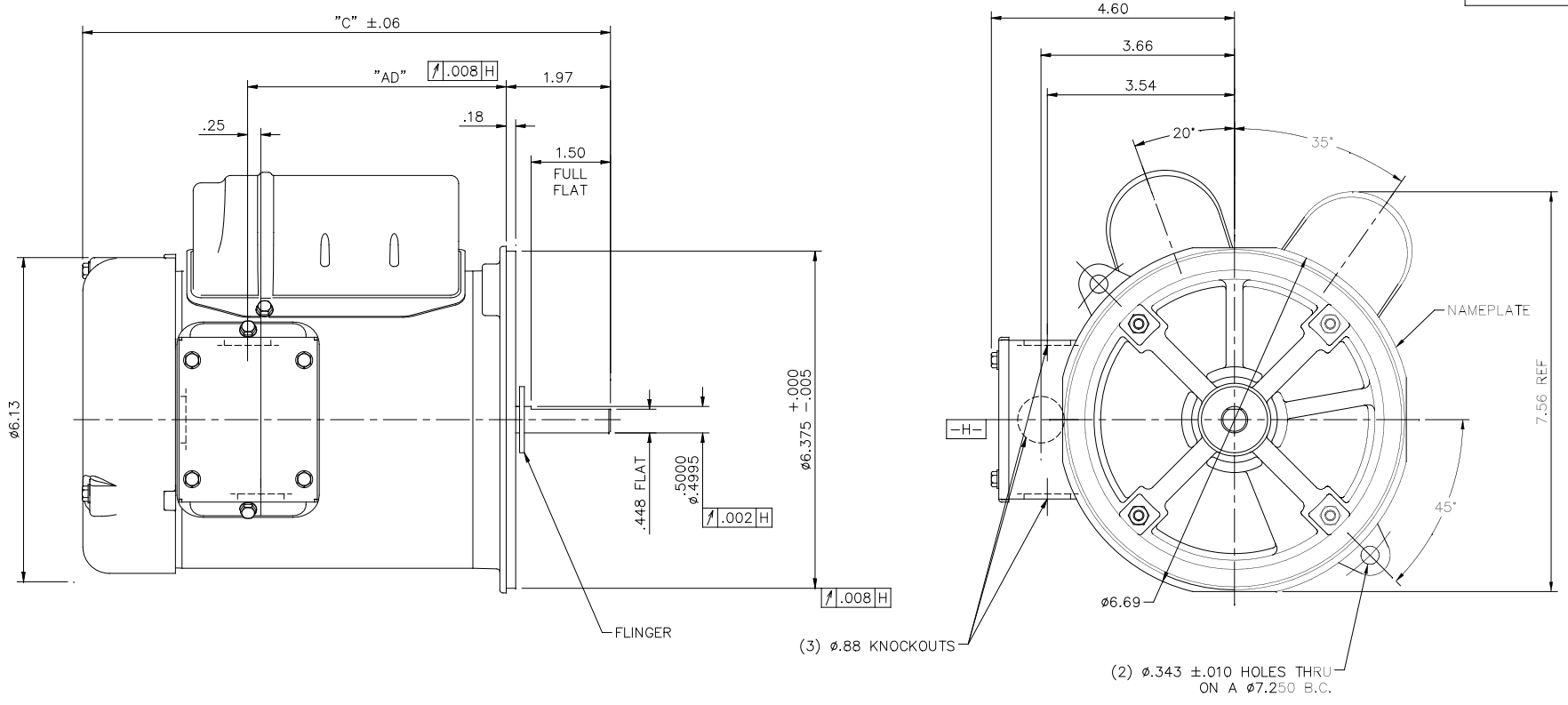
Nameplate Specifications

Output HP	0.50 Hp	Output KW	0.37 kW
Frequency	60 Hz	Voltage	115/208-230 V
Current	8.0/3.8-4.0 A	Speed	1725 rpm
Service Factor	1.15	Phase	1
Efficiency	66 %	Duty	Continuous
Insulation Class	F	Design Code	O
KVA Code	L	Frame	48Y
Enclosure	Totally Enclosed Fan Cooled	Overload Protector	Manual
Ambient Temperature	40 °C	Drive End Bearing Size	6203
Opp Drive End Bearing Size	6203	UL	Recognized (Not Protector)
CSA	Y	CE	N
IP Code	43		

Technical Specifications

Electrical Type	Capacitor Start Induction Run	Starting Method	Across The Line
Poles	4	Rotation	Selective Counterclockwise
Mounting	Round	Motor Orientation	HORIZONTAL
Drive End Bearing	BALL	Opp Drive End Bearing	BALL
Frame Material	Rolled Steel	Shaft Type	NEMA 48
Overall Length	10.72 in	Frame Length	6.25 in
Shaft Diameter	0.500 in	Shaft Extension	1.5 in
Assembly/Box Mounting	F1 ONLY		
Outline Drawing	031648-625	Connection Diagram	005258.04

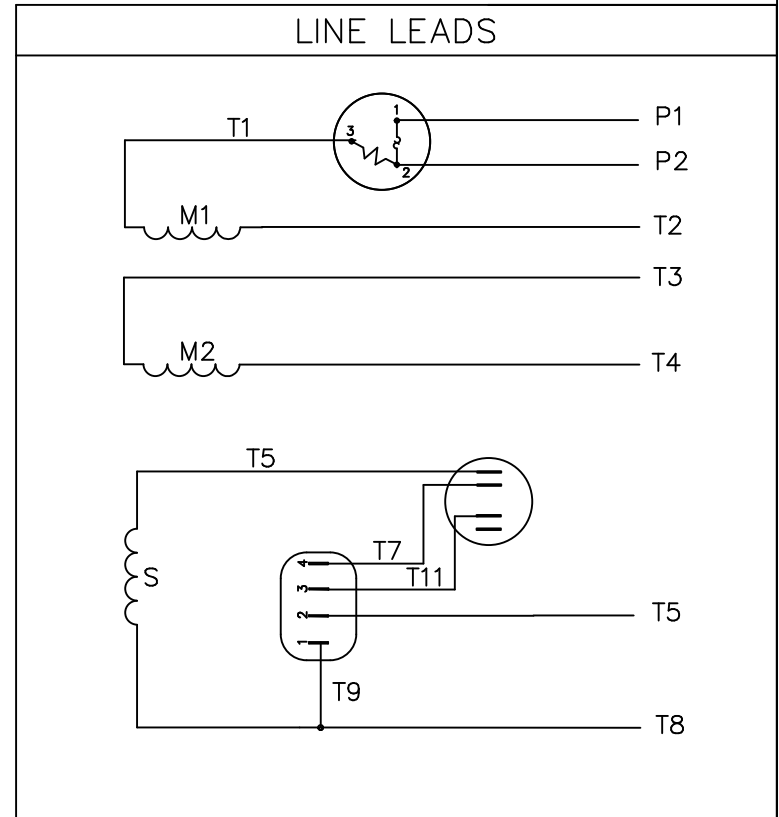
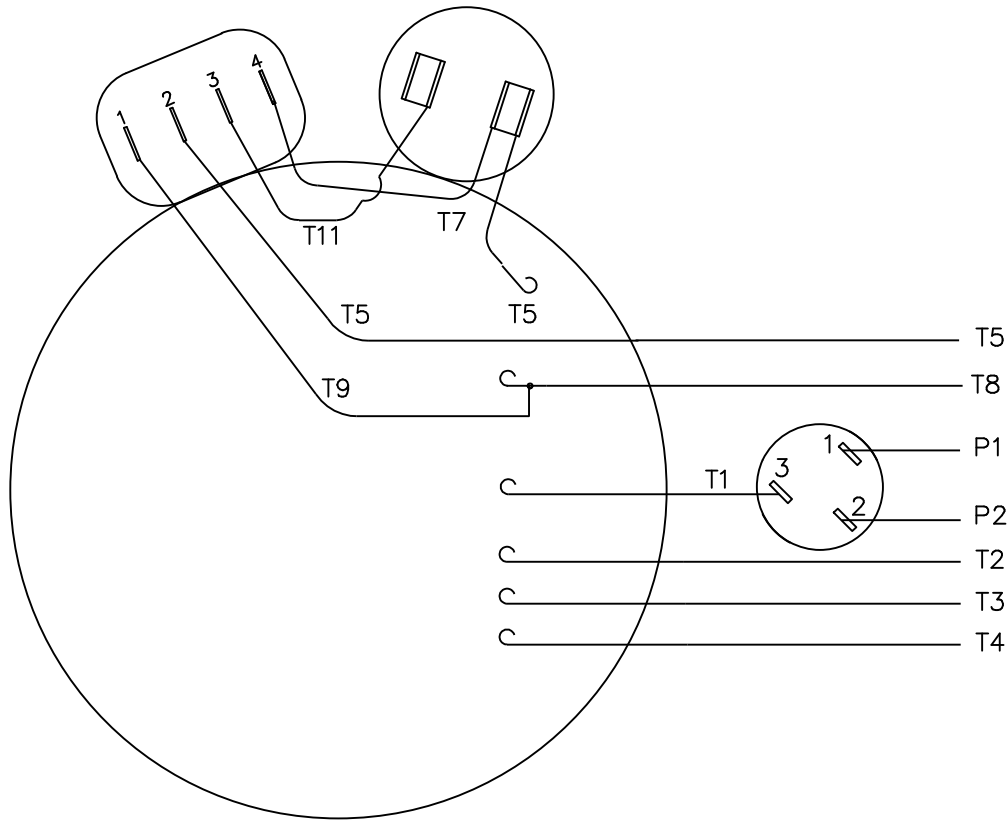
This is an uncontrolled document once printed or downloaded and is subject to change without notice. Date Created: 10/15/2018



DASH NO.	"C"	"AD"
550	9.97	4.89
575	10.22	5.14
600	10.47	5.39
625	10.72	5.64
650	10.97	5.89
675	11.22	6.14
700	11.47	6.39
725	11.72	6.64
750	11.97	6.89

NO.	REVISION	BY & DATE	CHK	ANG	TOLERANCES UNLESS SPECIFIED	FINISH	PREV
07	BIG CAPACITOR LOCATION WAS AT 40°	PST 06/18/15	SM				
06	ADDED TOLERANCE TO .343 CORED HOLES	KMM 5/7/03		DEC.	INCHES		
05	ROTATED CAPACITORS 5° FOR CON. BOX CLEARANCE	KMM 2/6/03		.X	±.1		
04	REVISED CALLOUT FOR GD&T	KMM 6/6/02		.XX	±.03		
03	REVERSED CAPACITOR LOCATIONS	PG 10/31/01		.XXX	±.005		
K	ADDED LARGE CAP. CASE FOR NEW SWITCH	EL 3/31/2017		.XXXX	±.0005		
THIS DRAWING IN DESIGN AND DETAIL IS OUR PROPERTY AND MUST NOT BE USED EXCEPT IN CONNECTION WITH OUR WORK ALL RIGHTS OF DESIGN AND INVENTION ARE RESERVED THIS IS AN ELECTRONICALLY GENERATED DOCUMENT - DO NOT SCALE THIS PRINT						GASKETS THROUGHOUT	
REGAL™ Regal Beloit America, Inc.						DRAWN PG 9/13/01	
TITLE OUTLINE - 48Y FRAME OIL BURNER FLANGE MOUNT - TEFC						CHK	
MAT'L 1 PHASE						APPD	
FINISH						SCALE 1=2	
CAD FILE 031648						REF 030720	
RFP						FNF 101120	
DIST						PREV	
THIS DRAWING IN DESIGN AND DETAIL IS OUR PROPERTY AND MUST NOT BE USED EXCEPT IN CONNECTION WITH OUR WORK ALL RIGHTS OF DESIGN AND INVENTION ARE RESERVED THIS IS AN ELECTRONICALLY GENERATED DOCUMENT - DO NOT SCALE THIS PRINT						SIZE B DRAWING NO. 031648 REV. K	

VIEW FROM OUTSIDE OF MOTOR AT SWITCH END.



	ROTATION FACING LEAD END	L1	L2	JOIN	INSULATE SEPARATELY
HIGH VOLT	C.C.W.	P1	T4 T5	T2,T3 T8	P2
	C.W.	P1	T4 T8	T2,T3 T5	P2
LOW VOLT	C.C.W.	P1	T2,T4 T5	P2,T3 T8	----
	C.W.	P1	T2,T4 T8	P2,T3 T5	----

				TOLERANCES UNLESS OTHERWISE SPECIFIED		
				DEC.	INCHES	METRIC
				.X	±.1	±2.5
				.XX	±.01	±.25
				.XXX	±.005	±.127
NO.	REVISION	BY & DATE	CH'K'D.	.XXXX	±.0005	±.0127
THIS DRAWING IN DESIGN AND DETAIL IS OUR PROPERTY AND MUST NOT BE USED EXCEPT IN CONNECTION WITH OUR WORK ALL RIGHTS OF DESIGN AND INVENTION ARE RESERVED THIS IS AN ELECTRONICALLY GENERATED DOCUMENT - DO NOT SCALE THIS PRINT				FRACTIONS	±1/64	REF. PAGE 1
				ANGLES	±1/2'	FMF 101120

LEESON ELECTRIC CORPORATION

DRAWN PG 10/16/01	TITLE		EXTERNAL WIRING DIAGRAM
APPR.	TYPE "C" W/PROTECTOR		
R.F.P.	MAT'L.	DECAL - 004011	
SCALE 1=1	SOLID STATE SWITCH		
FINISH	REV.	DRAWING NO.	
STANDARD		005258-04	



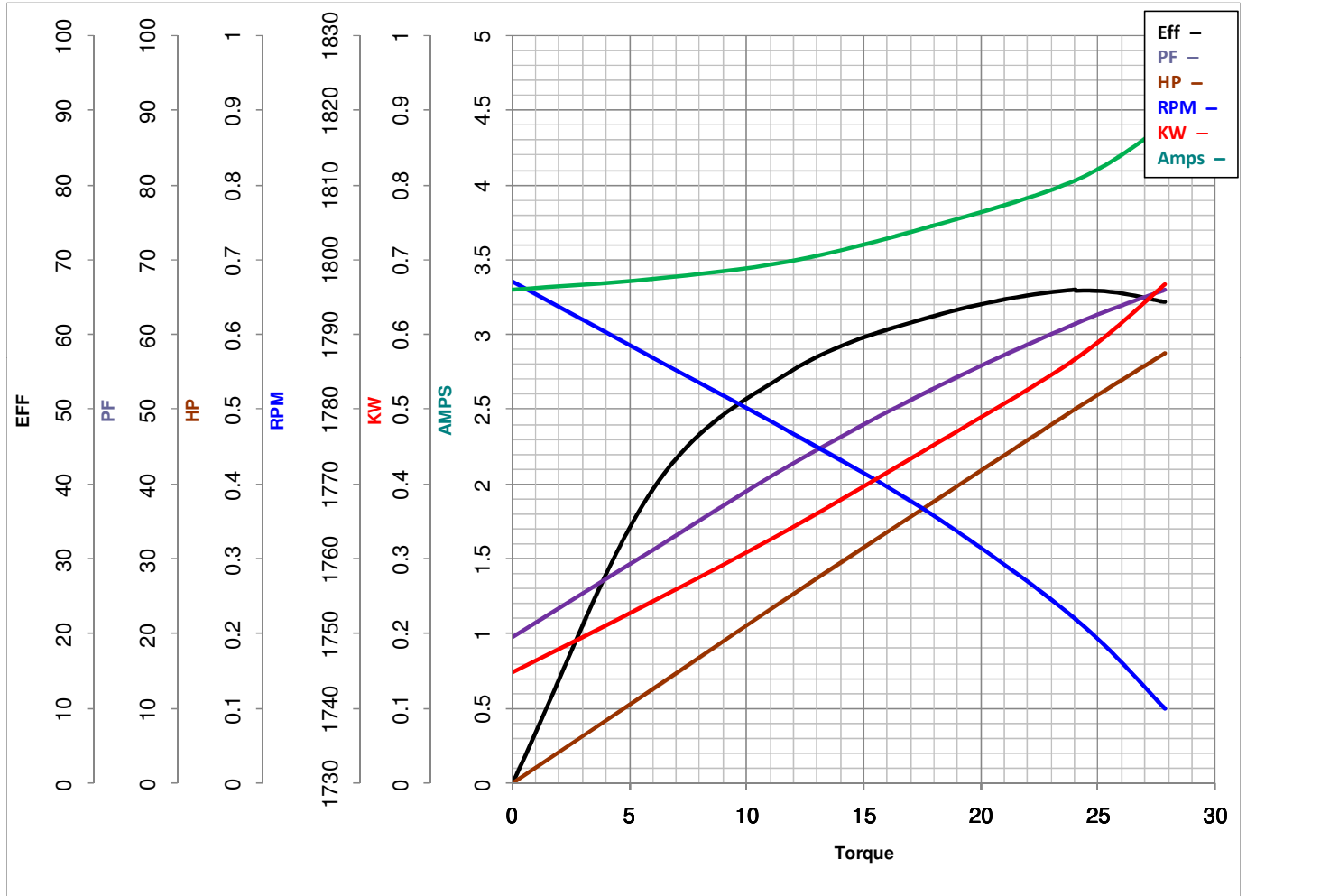
LEESON ELECTRIC CORPORATION
 TYPICAL PERFORMANCE CURVE for AC MOTOR

Model No 101120.00

Catalog No 101120.00

Curve at 230 Volts HP 0.50 PHASE 1
60 HZ
0.5 HP VOLTS 115/208-230

HZ 60 RPM 1725



Torque in Oz.Ft

FL TORQUE 24.09 Oz.Ft
 BD TORQUE 64.2 Oz.Ft
 LR TORQUE 84.1 Oz.Ft

FL AMPS 8/3.8-4
 PU TORQUE 54.1 Oz.Ft
 LR AMPS 20.7

WINDING CE484212-3

Date 3/22/2018